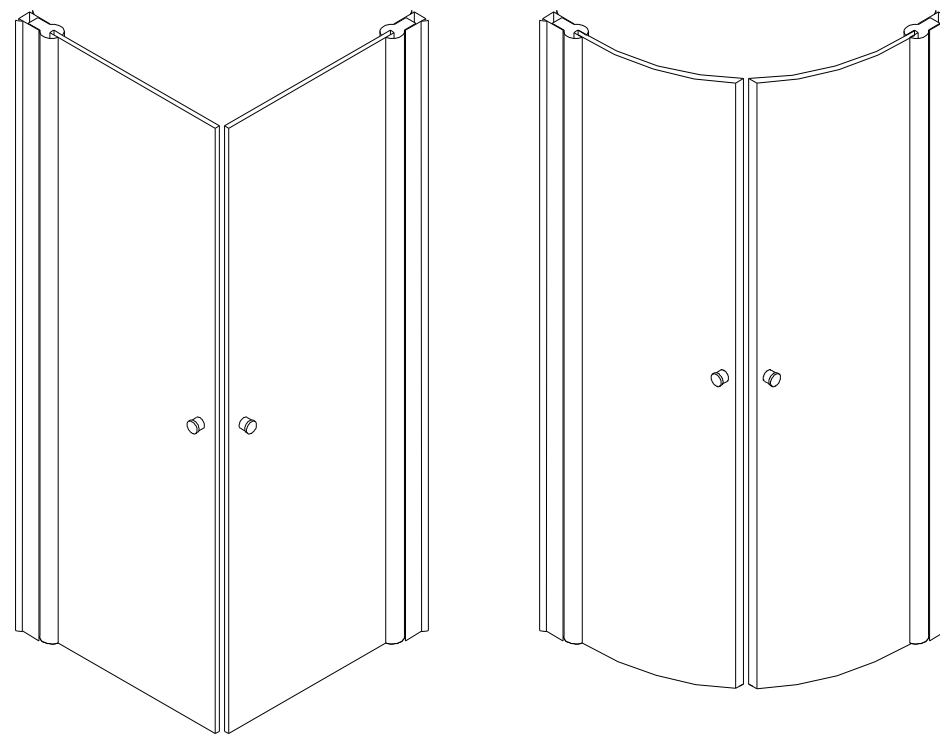
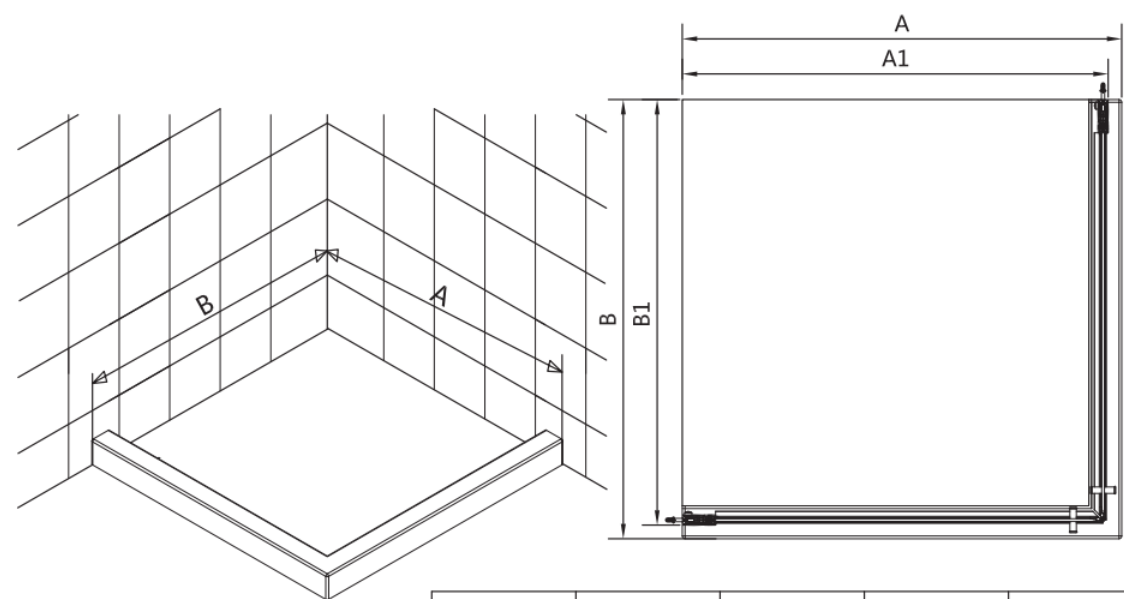
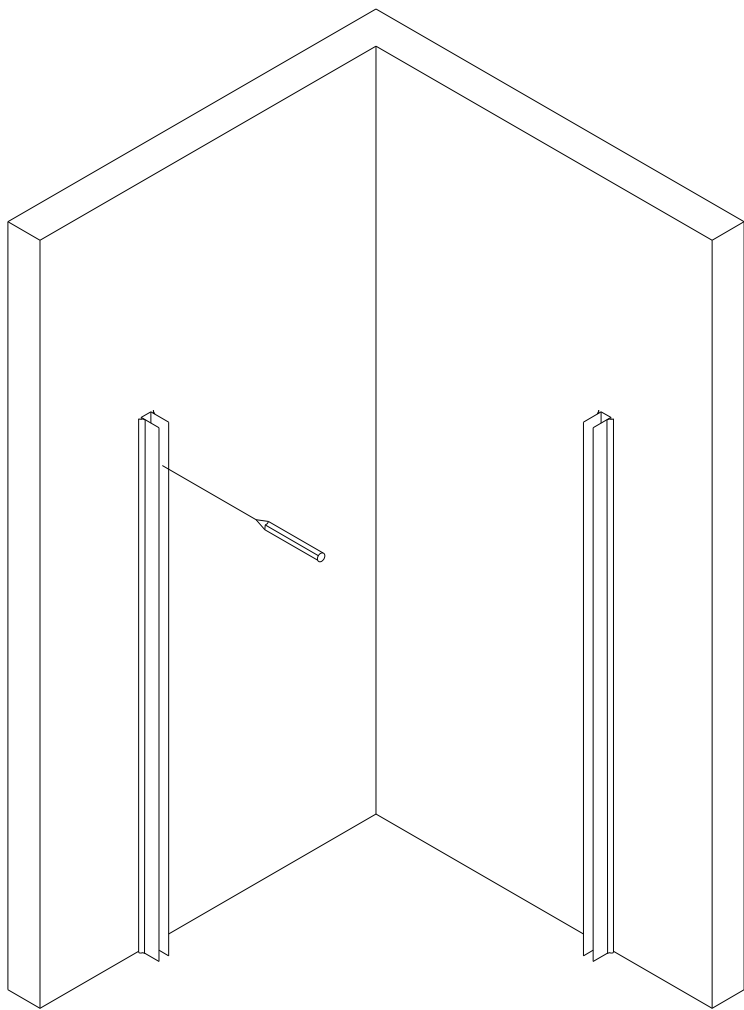


Shower Room Installation Instruction

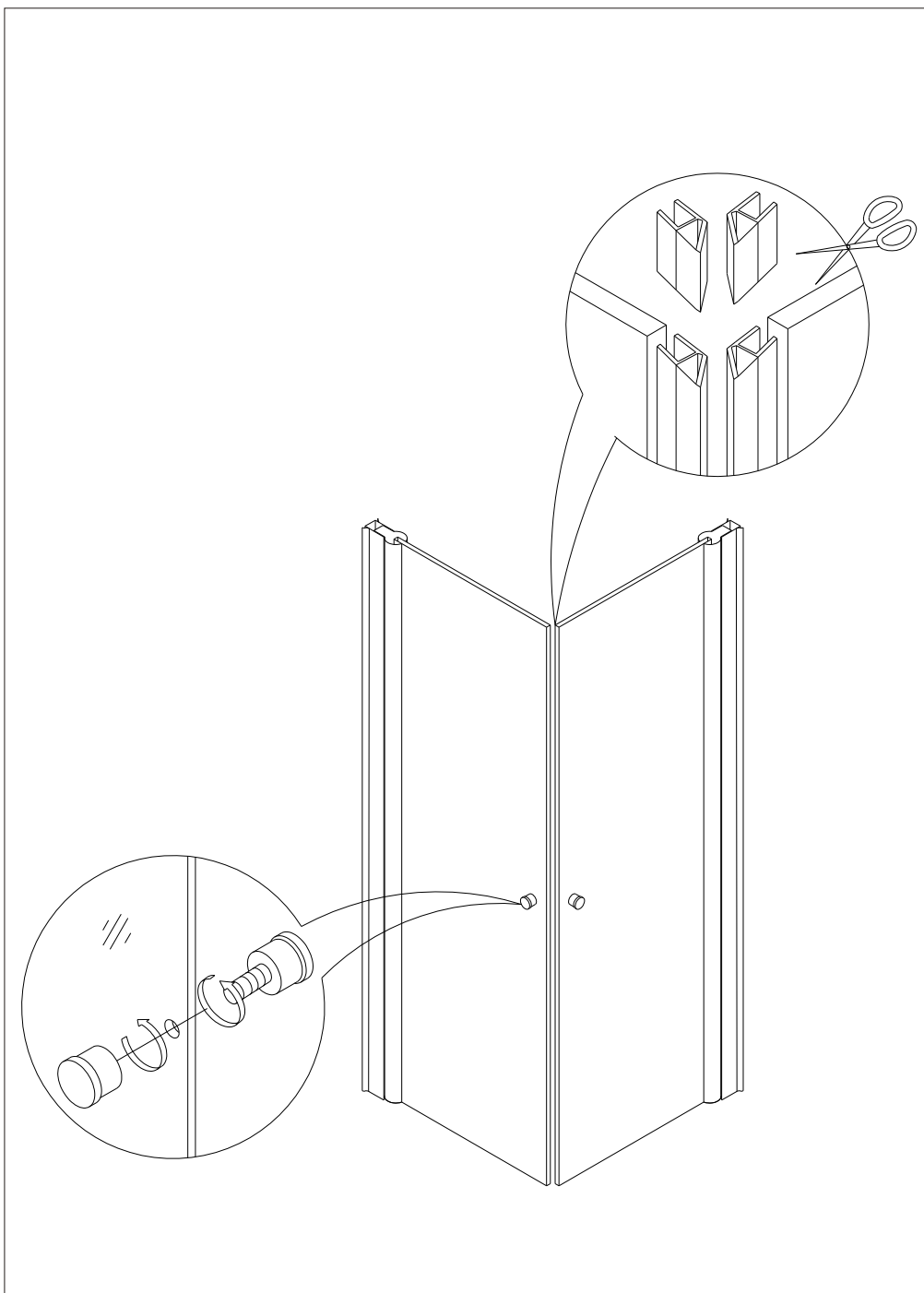


1. Measure the distance between wall and Profile, then position wall U profile;



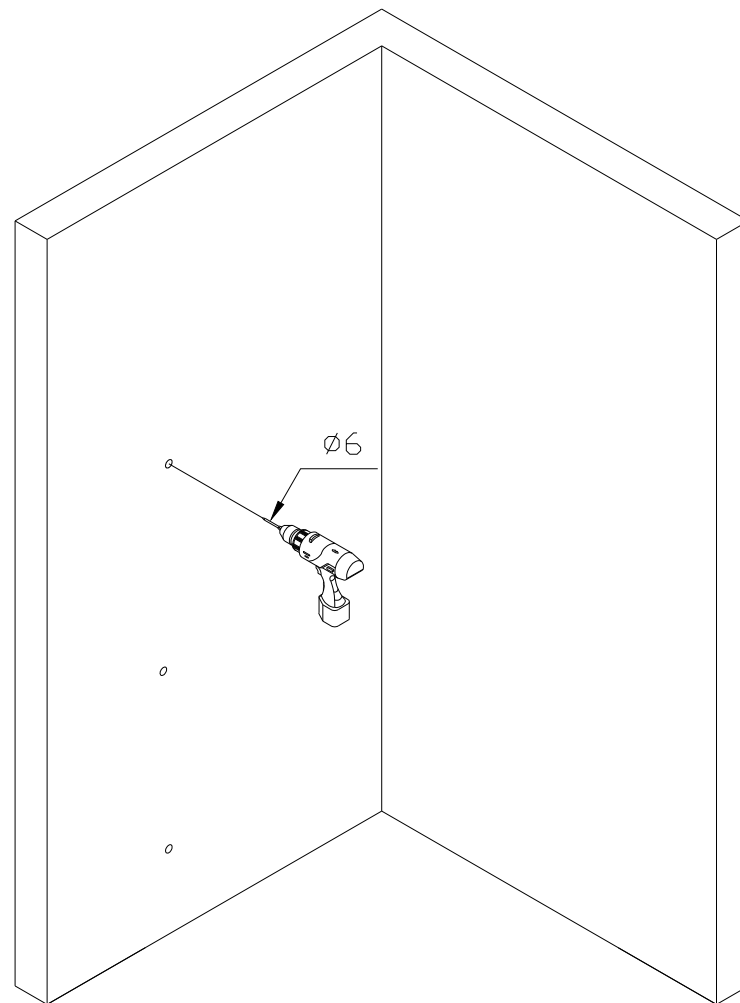
	A	A1	B	B1
800x800	800	785-800	800	785-800
900x900	900	785-800	900	785-800

(1)

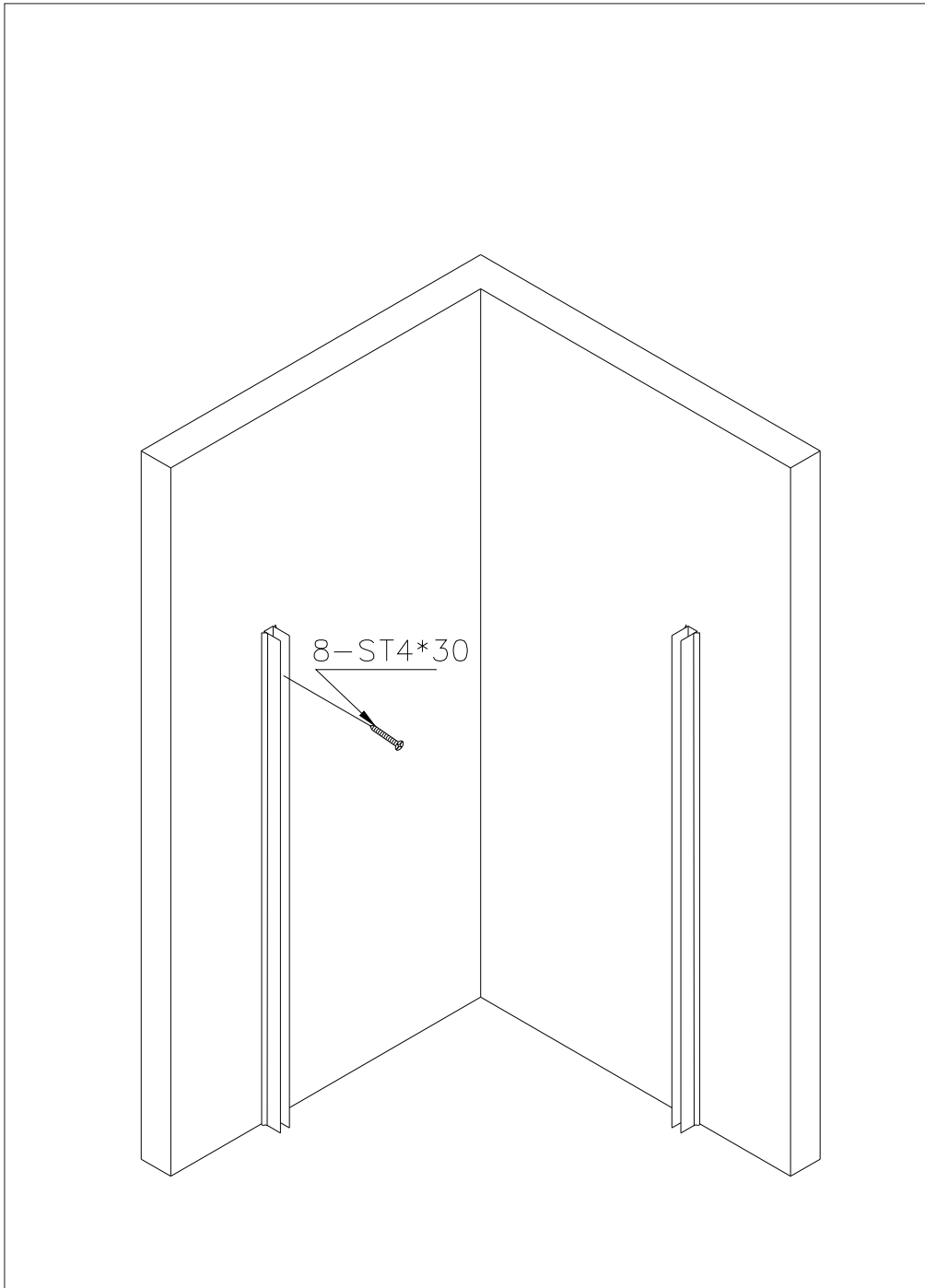


(5)

2. fix the U profile with three position, upper, middle and down.

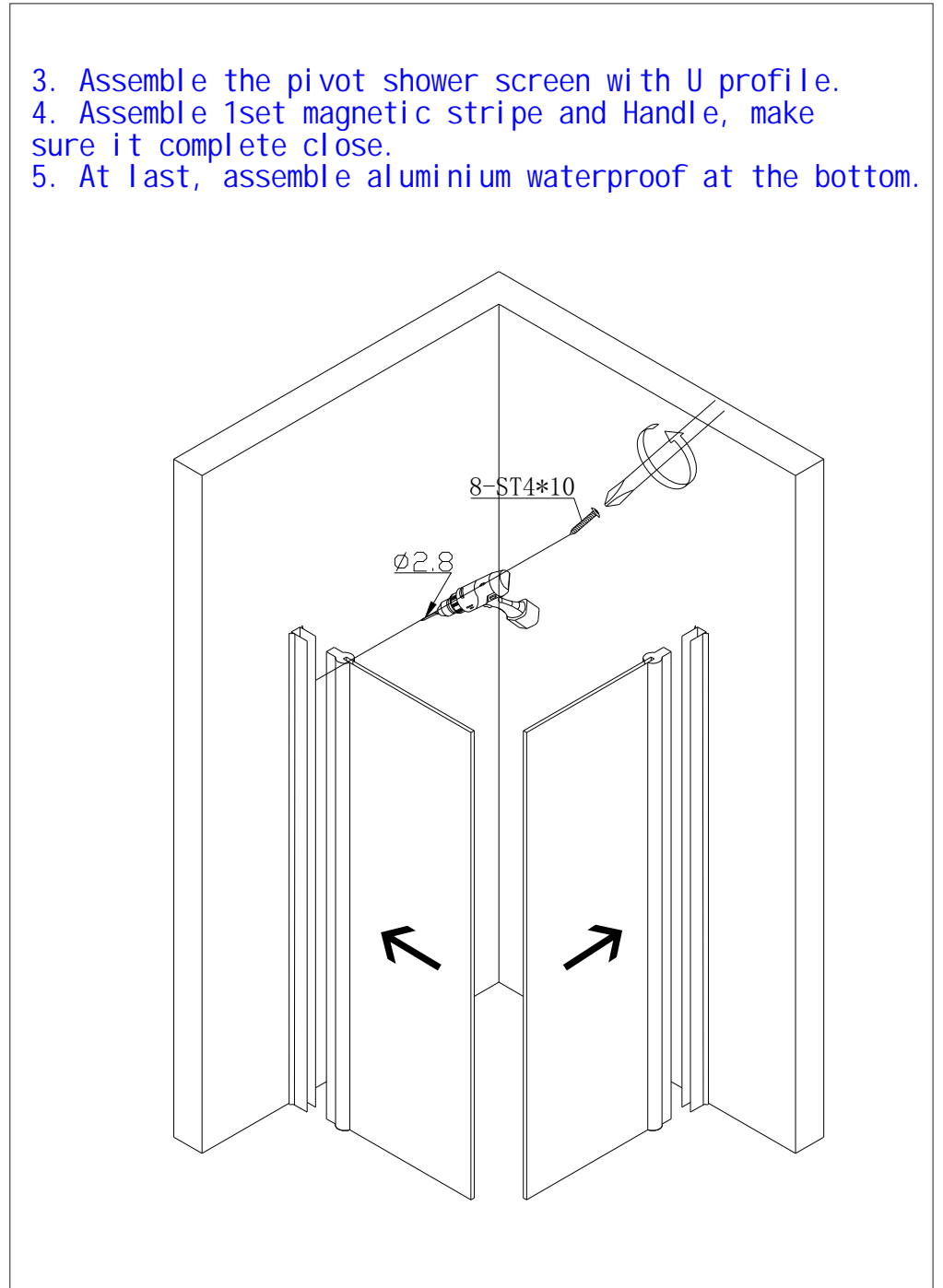


(2)



(3)

3. Assemble the pivot shower screen with U profile.
4. Assemble 1set magnetic stripe and Handle, make sure it complete close.
5. At last, assemble aluminium waterproof at the bottom.



(4)