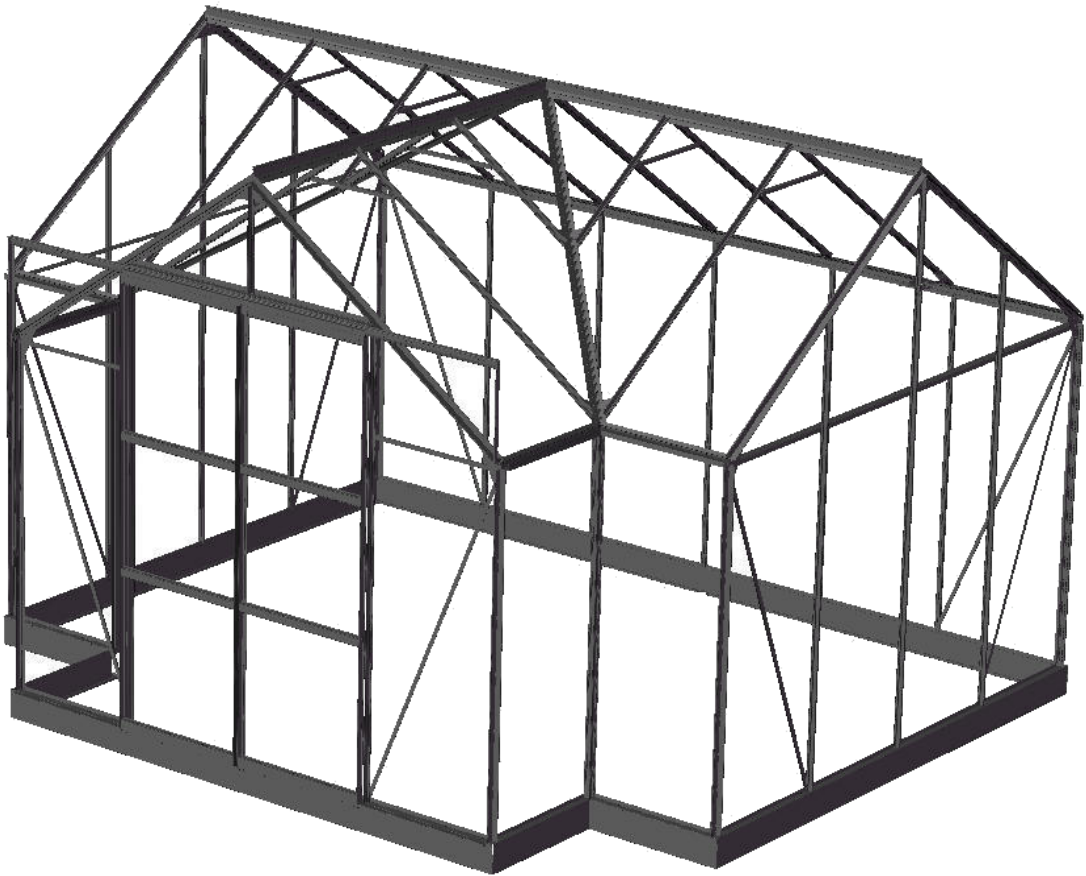


Greenhouse

MODEL 10.2 m²

MODEL 12.8 m²



May we congratulate you on your new Greenhouse

Dear Customer!

The assembly of your new greenhouse requires no technical knowledge. However, it is important that the assembly instructions are strictly followed. The assembly instruction is a combination of text and illustrations. The profiles are packed separately in numbered packs corresponding to the order in the assembly instruction. Erect one pack at a time. All nuts and bolts and fittings are found in the bag. Each pack is specified in separate lists of components. All detailed illustrations are marked with symbols:



seen from inside



seen from outside

Precautions

- Assembly must only be carried out in dry and calm weather.
- Always use working gloves while glazing. Greenhouse glass has sharp edges, especially if the glass breaks.
- Assistants and especially children must be warned that broken glass is an element of danger. Pick up broken glass at once and remove it with care.
- We recommend to use protective glasses while fixing the spring wire clips.
- Place the ladder on a level support.
- It is essential to have an assistant.

Page 2:

Foundation

The base is not included in this delivery. However, an optional base can be bought separately. It ensures you have a stable and easy to build base.

If you make your own base the measurements indicated must be external measurements.

If you buy an optional base you furthermore need concrete and 9 plastic-/concrete pipes of about 800 mm which are placed in a nonfree-zing depth for the fastening of the corner and middle anchors.

The base must be 100% level and square; the latter is ensured by checking that the two diagonal measurements are equal.

Tools

The mounting of the greenhouse requires the tools shown on page 1.

Page 2-17

Place the components as shown on the illustration and assemble in the order shown in the pictures.

Do not tighten the nuts completely until

the front gable construction has been assembled.

Page 2:

Fastening to the base

When constructing your own base you have to drill holes (7 mm) in the ground frame between all the vertical frames, the greenhouse is then fastened to the base with screws (A).

Using an optional base the greenhouse is fastened to each vertical bar as shown on drawing B.

Fitting of glass/polycarbonate Important before glazing!

Make sure that gables and sides are level and square, and that door(s) and window(s) are functioning perfectly.

Best order of assembly:

- 1) Rear gable – 2) Front gable –
- 3) Sides – 4) Frame assembly – 5) Roof and bracing – 6) Doors – 7) Vents –
- 8) Glazing

Glazing

Degrease the sheets and frames with spirit. Start glazing from below, one glass at a time. Fit glazing strip (1054) to all glazing bars, gable bars and corner posts before you begin to glaze the greenhouse.

Spring wire clips and glassholders are to be fitted as shown.

X = Spring wire clips, H = H-Strip

Now your greenhouse is completely assembled.

However, please notice the following:

Maintenance


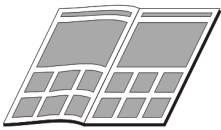






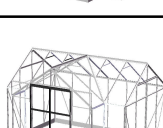
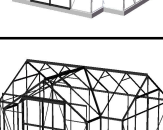
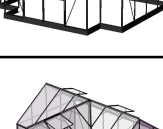
- Grease doors (hinges and lock or doortrack).
- Clean the gutter for leaves, etc.
- Adjustment of windows.
- Replacement of broken glass.
- Clean the greenhouse with disinfectant before and after the growing season.

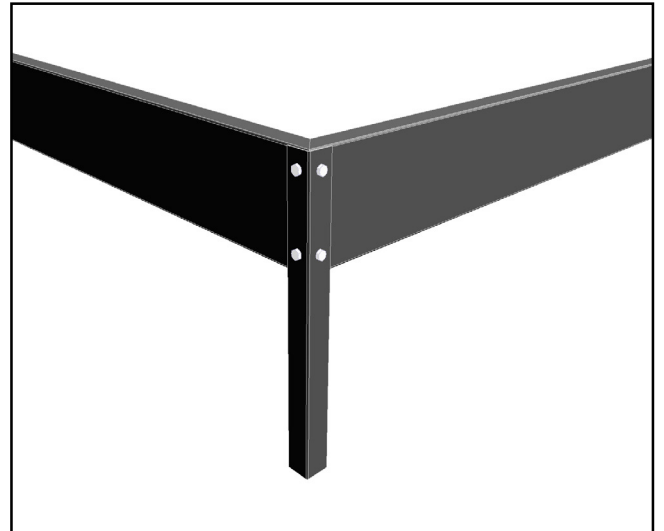
Winter Protection

In areas with occurrence of snow we recommend the following winter protection:

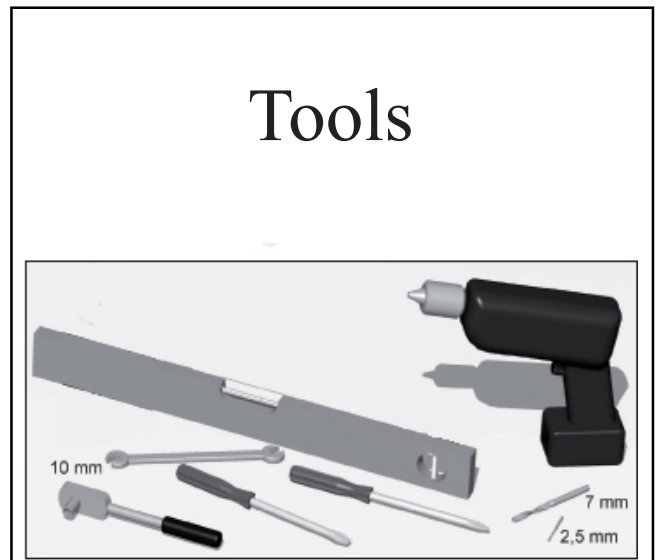
- Support the roof ridge at the centre of the greenhouse.
- Remove greater snow loads from the roof.
- Take precautions against snow falling down from for instance a tree or a roof.
- Dismount the cylinders for the automatic window openers, if any (optional extras).
- Secure door(s) and window(s) preventing wind damage to the greenhouse.





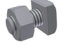
Survey

	
	2-3
	4-6
	7-8
	9
	10-11
	12-14
	15-16
	17-18
	19-20



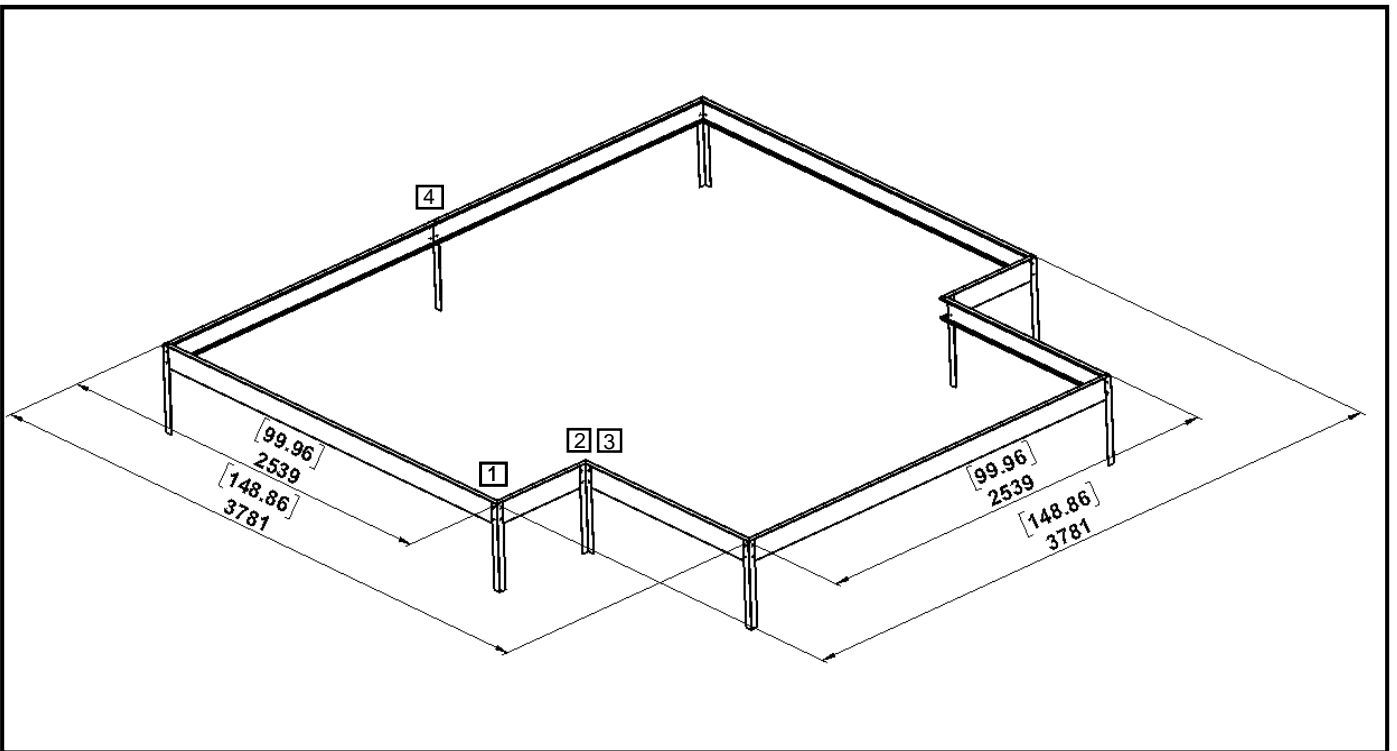
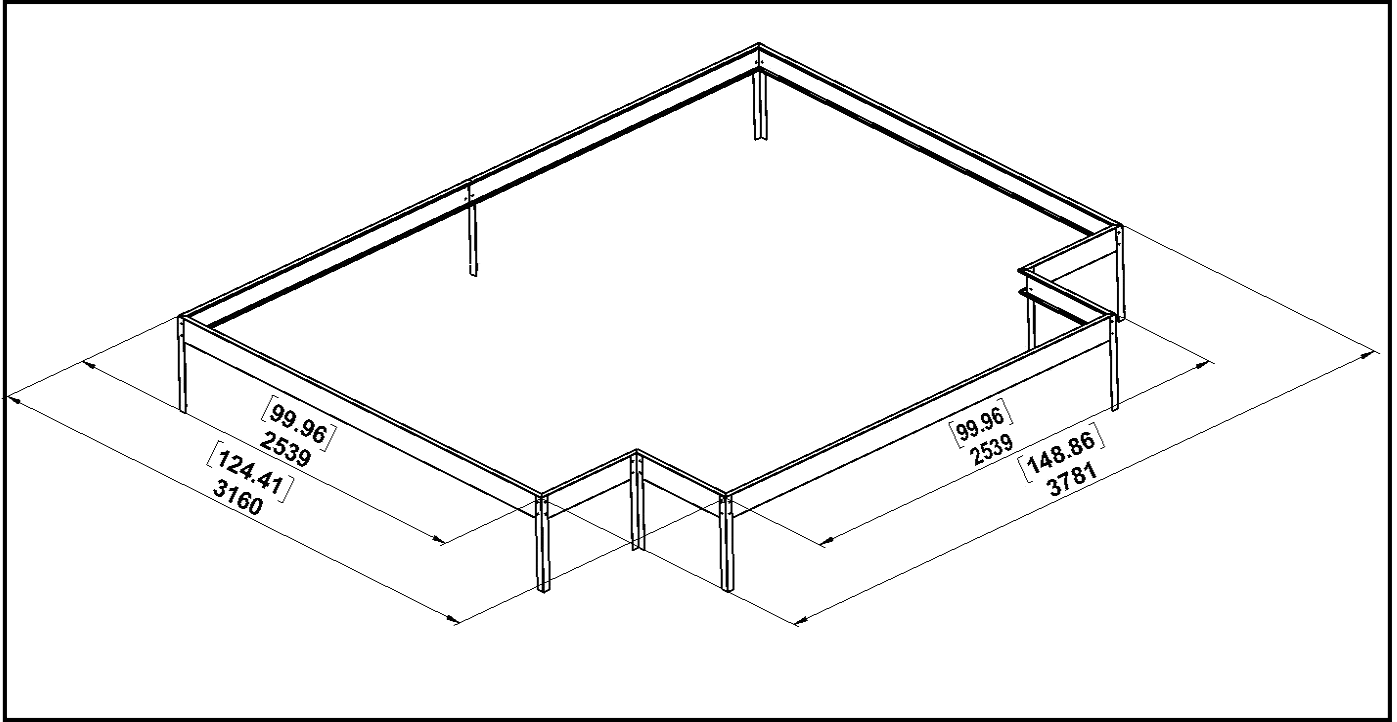
Tools



0		Page	10.2m ²	12.8m ²
	2067	5-10	3	3
	2028	5-10	6	6
	2069	10	10	10
	M6x12	5-15	258	282

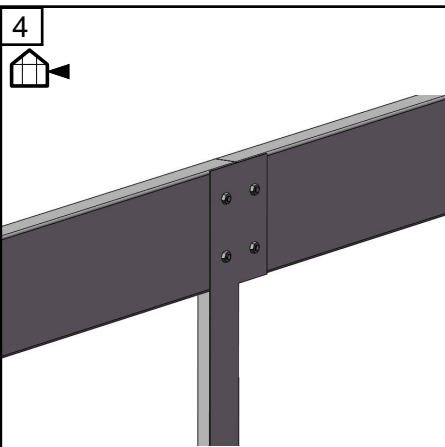
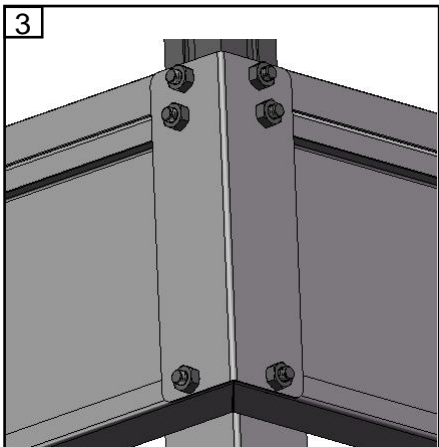
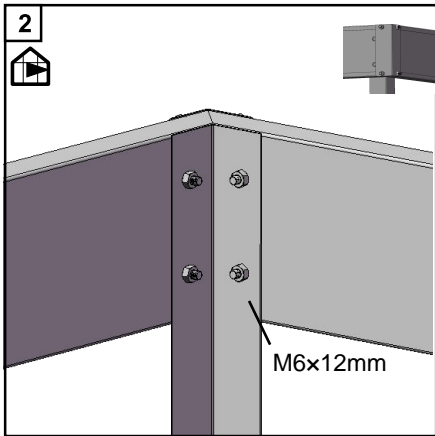
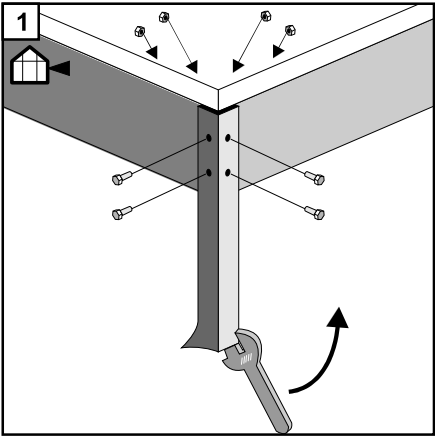
Accessories

Foundation

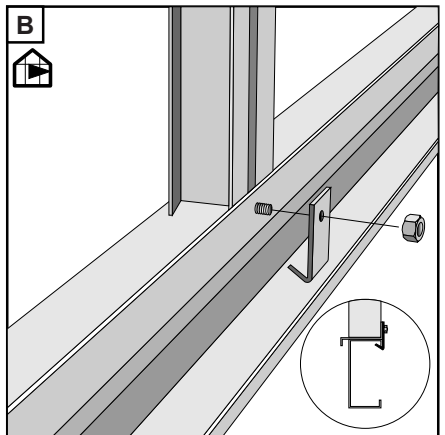
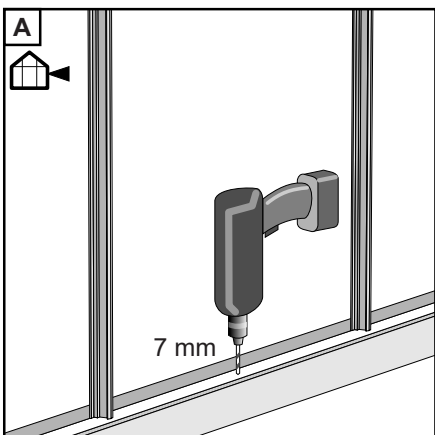
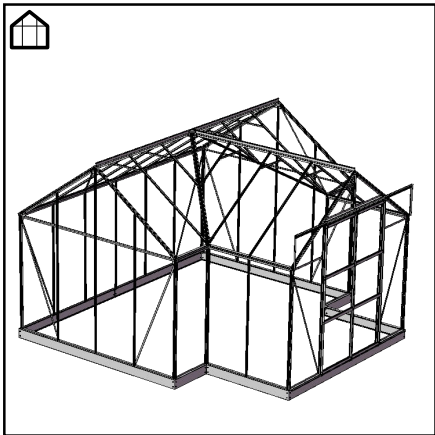


Accessories

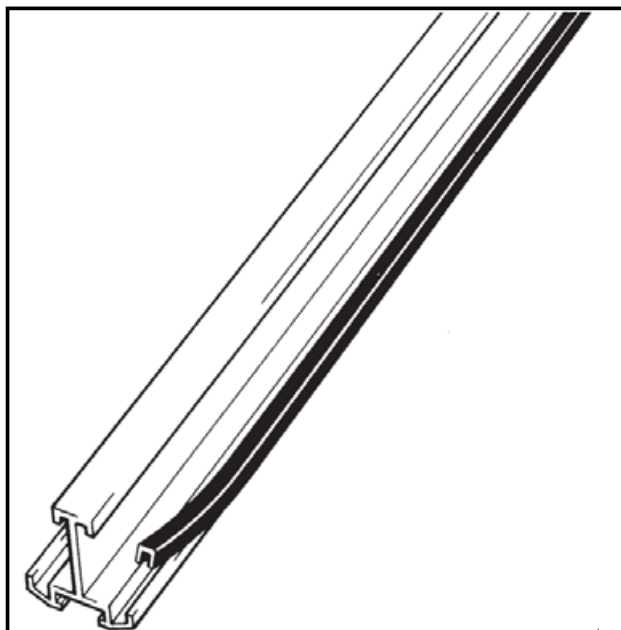
Foundation



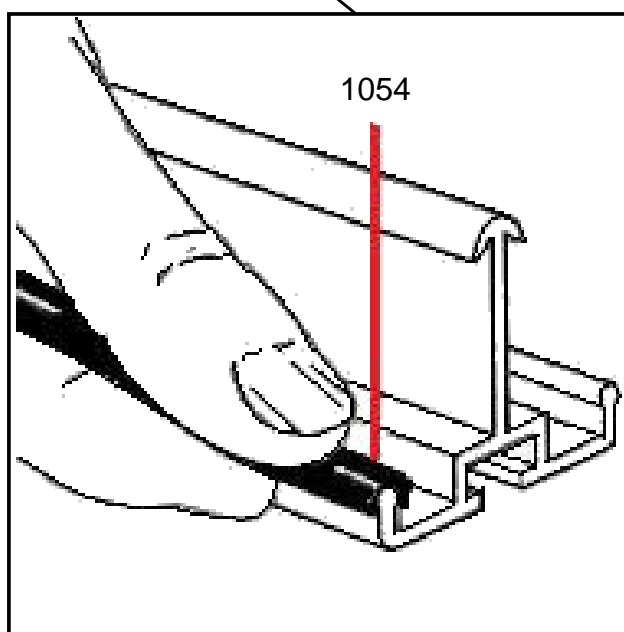
	#	mm	10.2m ²	12.8m ²
		2539	3	3
		1890	2	2
		650	4	2
		1271		2
		100	1	1
		500	8	8
		500	1	1
		80	8	8
		142	2	2
		M6x12	44	44
			26	28



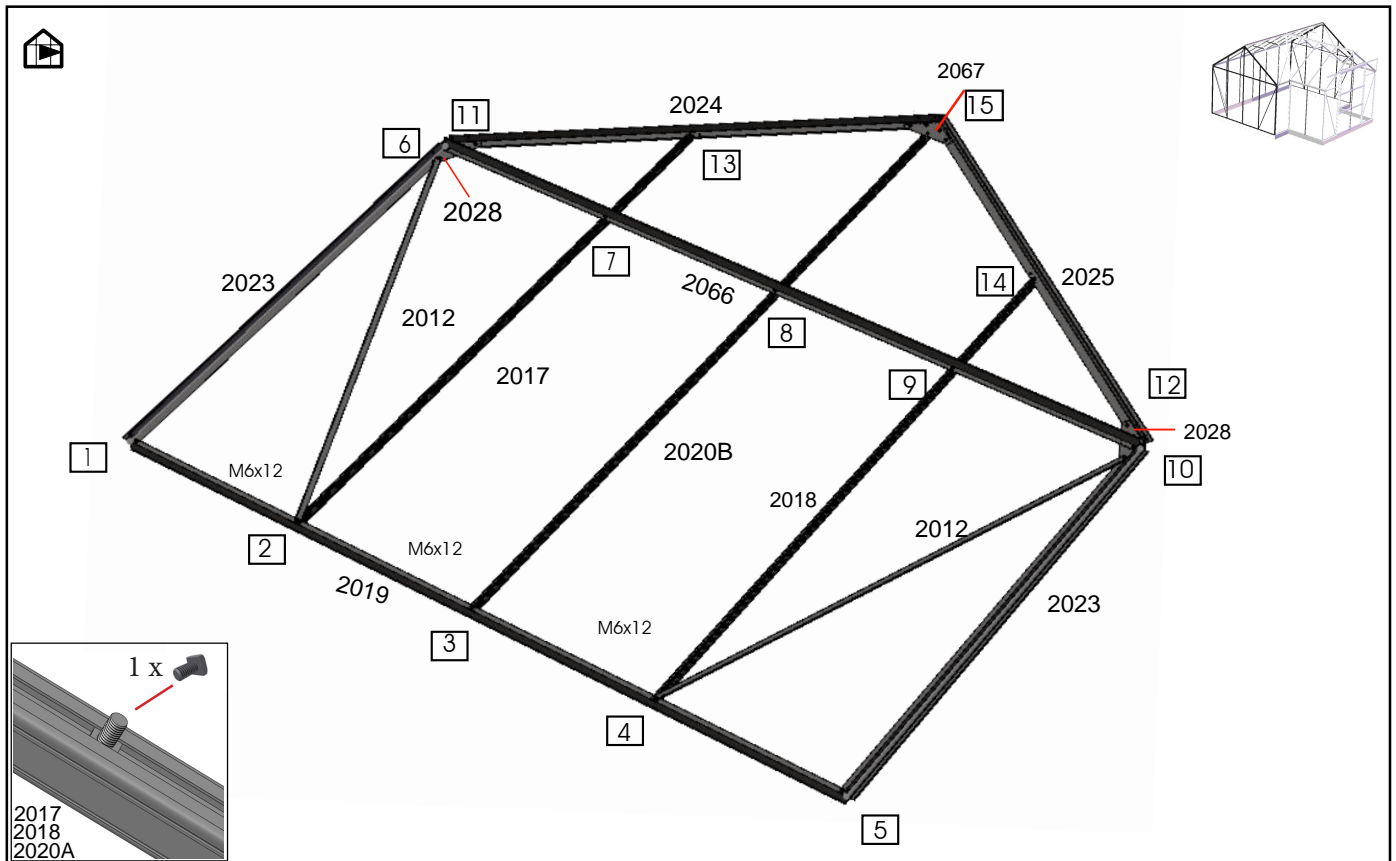
Vorbereitung



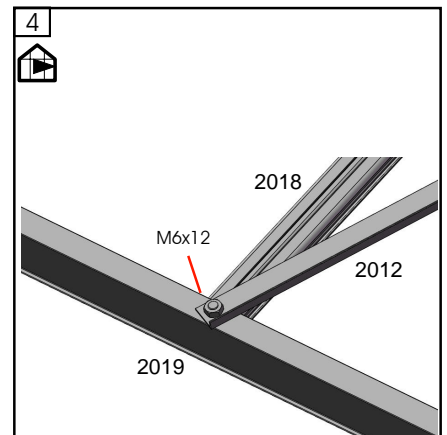
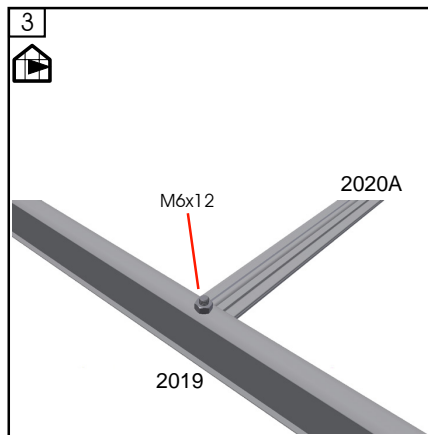
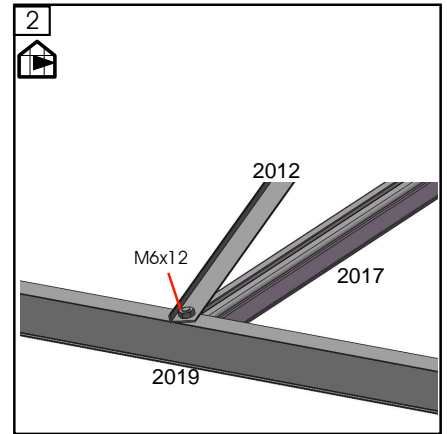
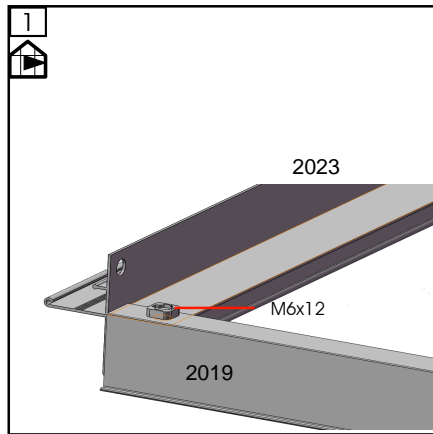
2015
2016
2017
2018
2020A
2021



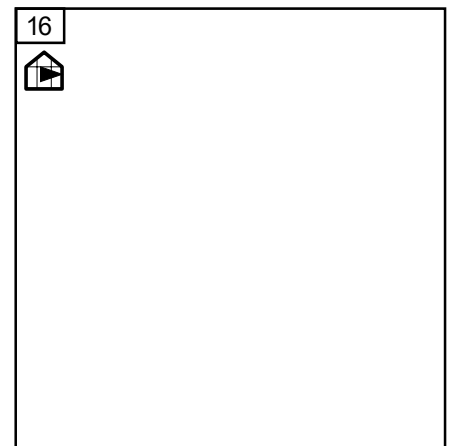
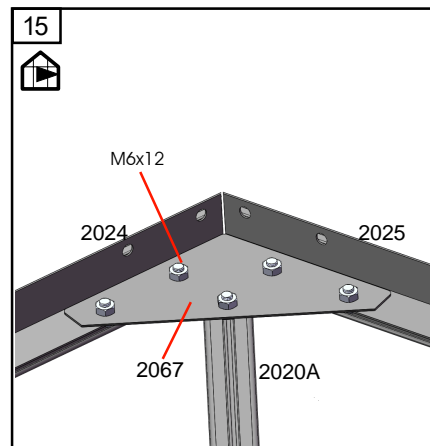
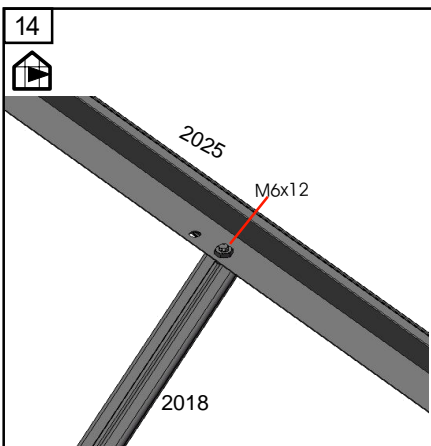
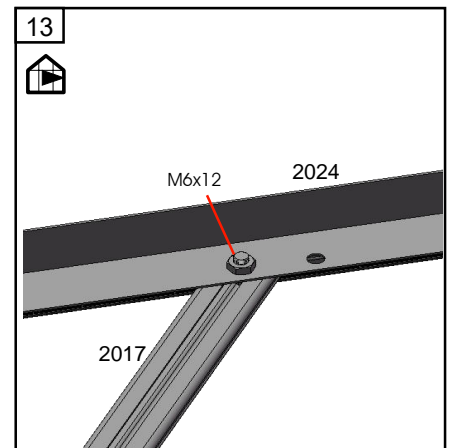
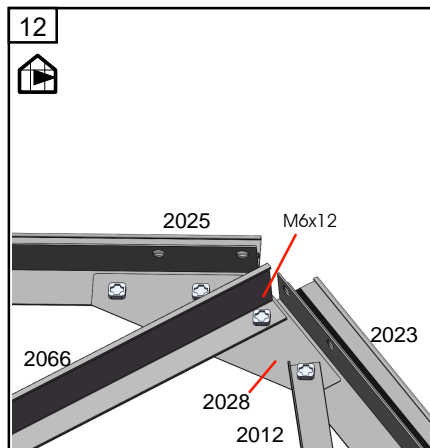
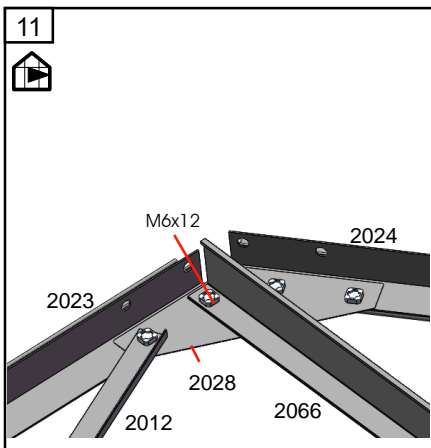
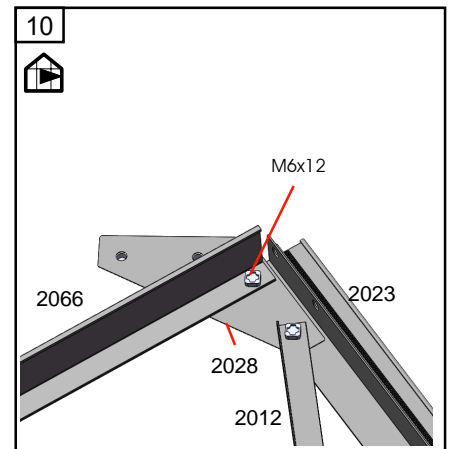
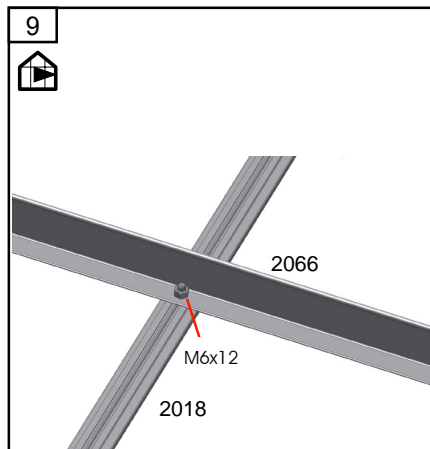
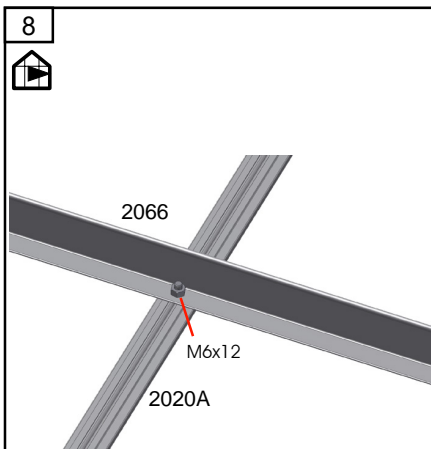
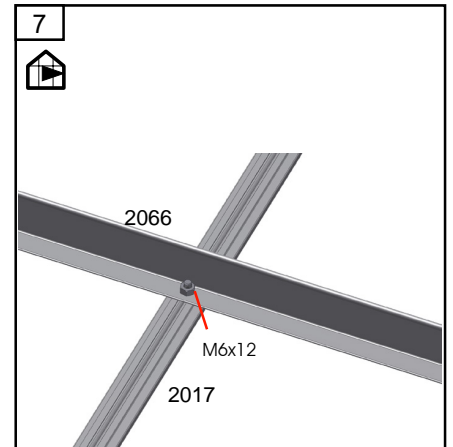
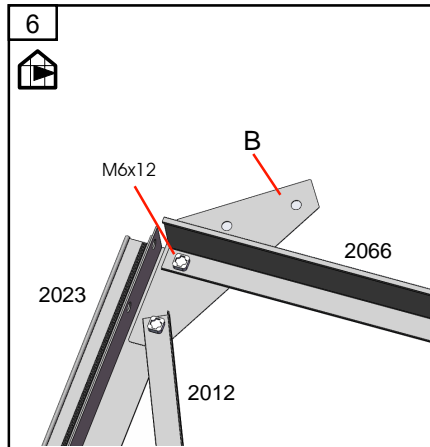
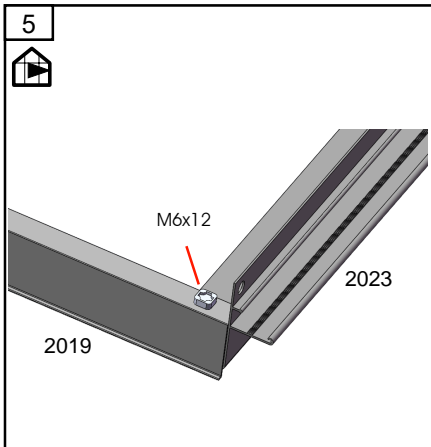
Rear gable



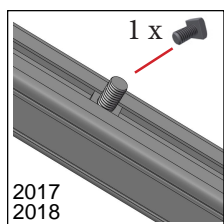
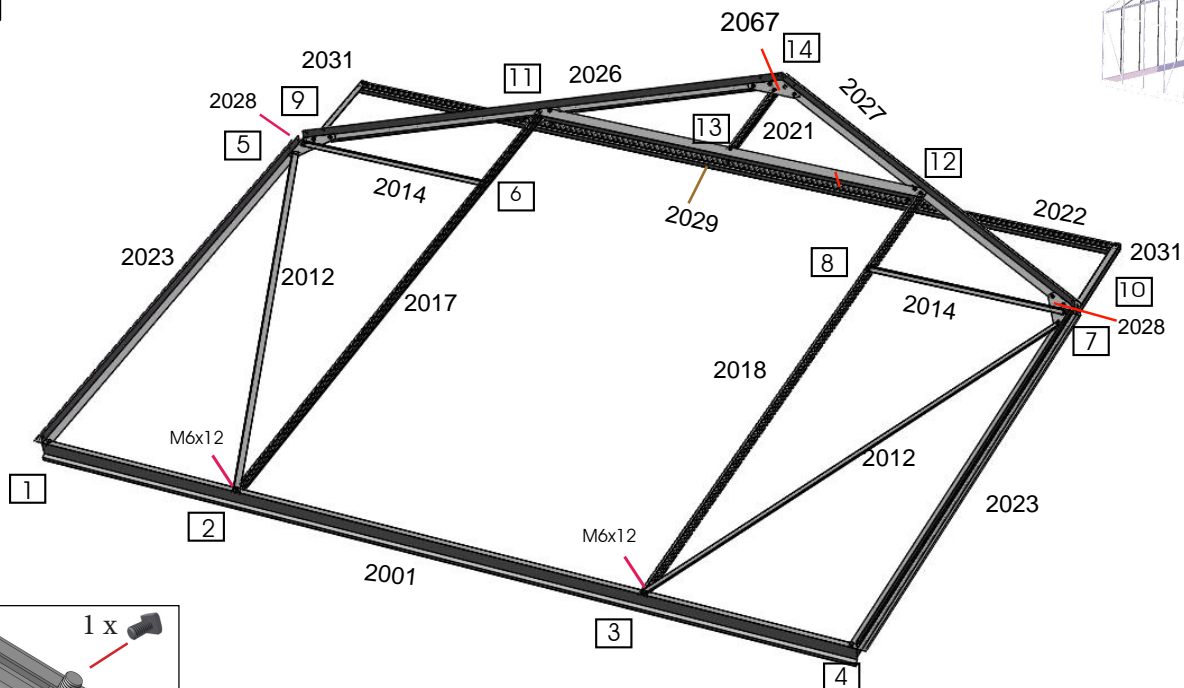
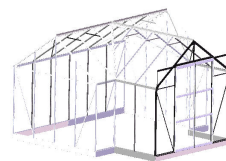
1	#	mm	
	2019		2
	2023		4
	2017		2
	2018		2
	2020B		2
	2012		4
	2066		2
	2024		2
	2025		2
	2067		2
	2028		4
	M6x12 M6		46



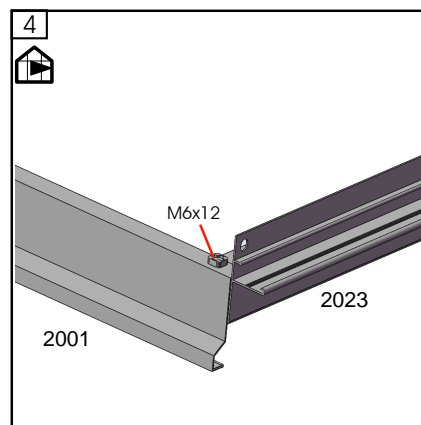
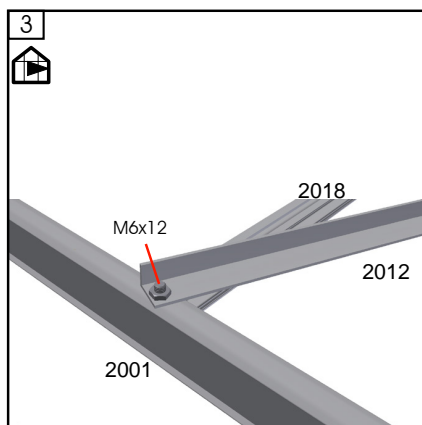
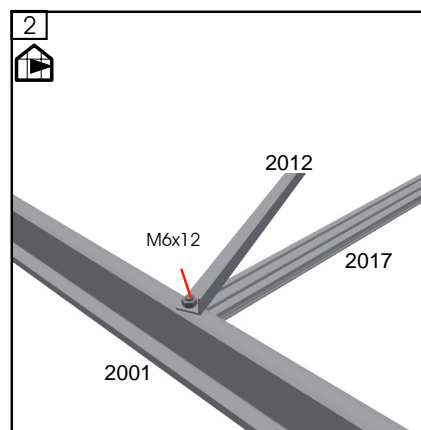
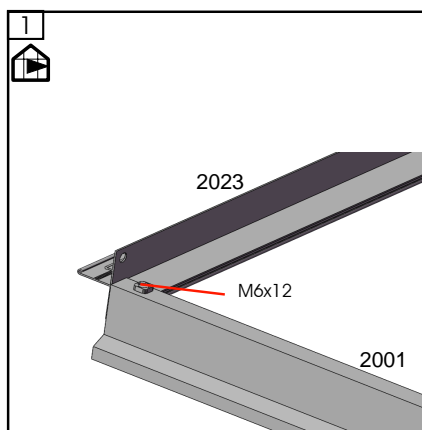
Rear gable



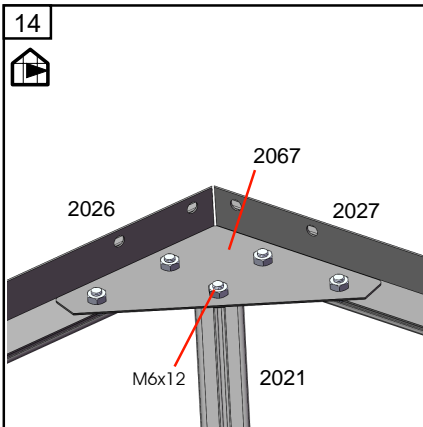
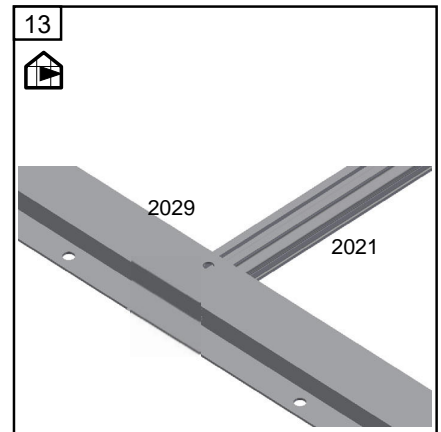
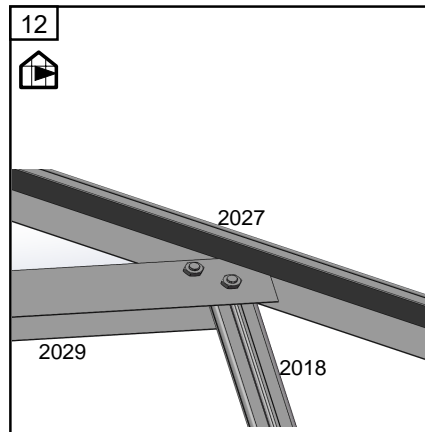
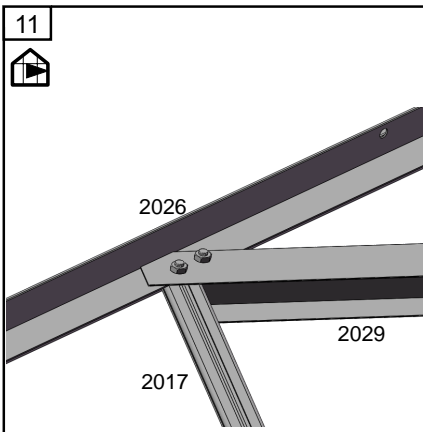
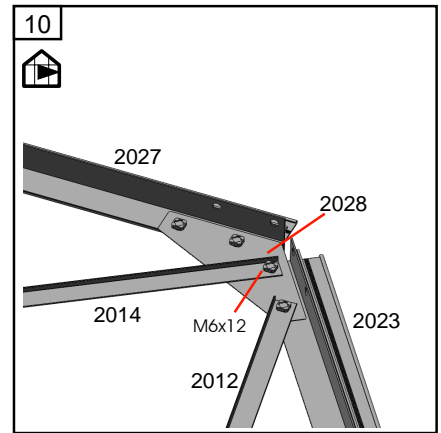
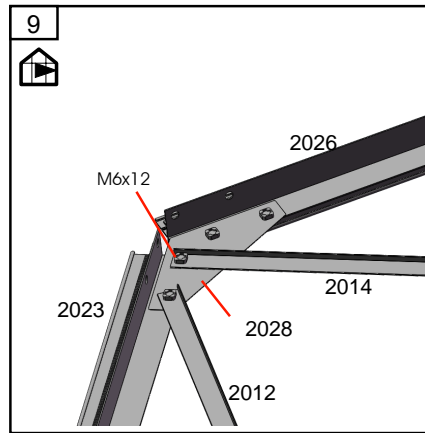
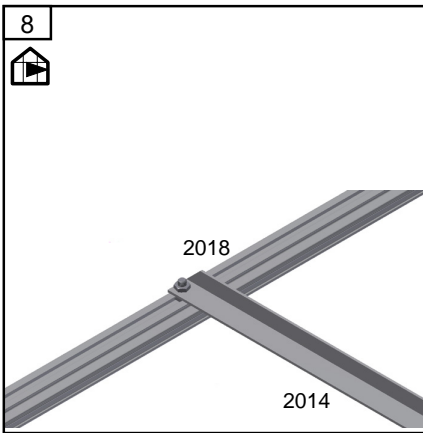
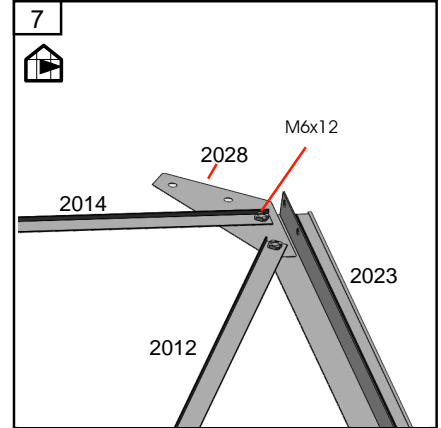
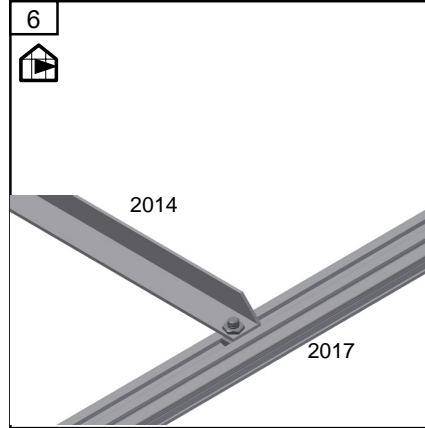
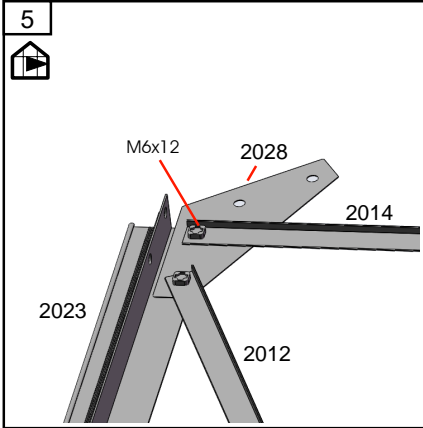
Front gable



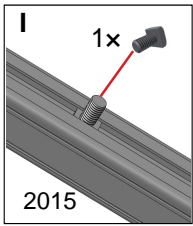
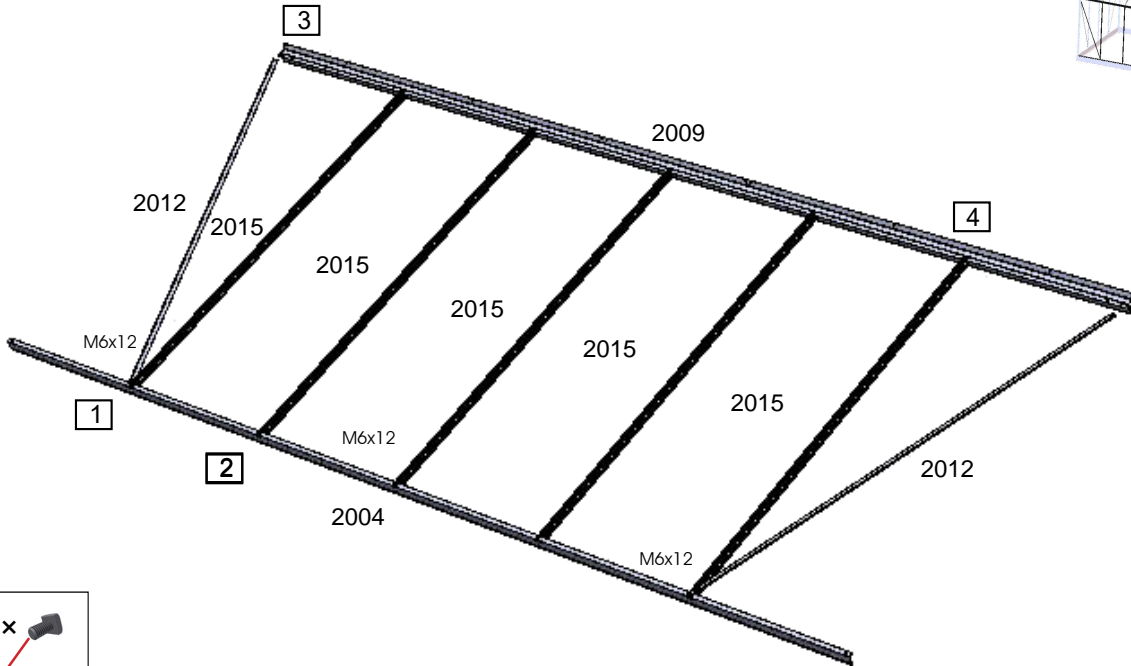
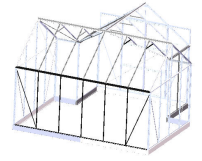
2	#	mm
	2001	1
	2023	2
	2026	1
	2027	1
	2017	1
	2018	1
	2021	1
	2022	1
	2012	2
	2014	2
	2029	1
	2031	
	2067	1
	2028	2
	M6x12 M6	30



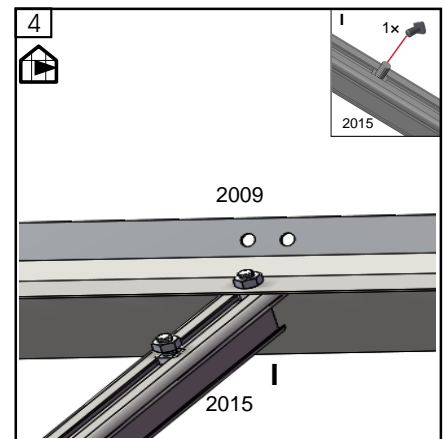
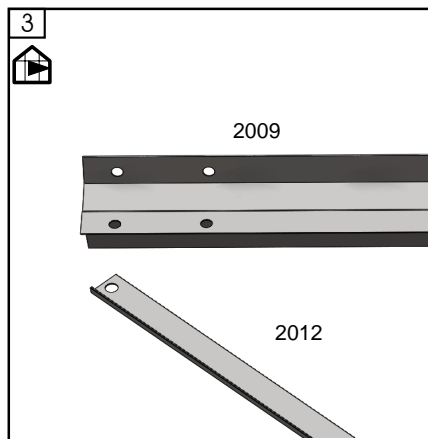
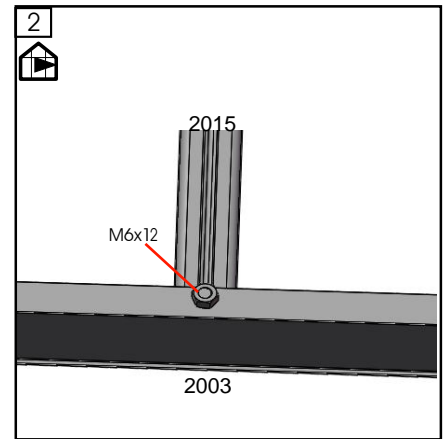
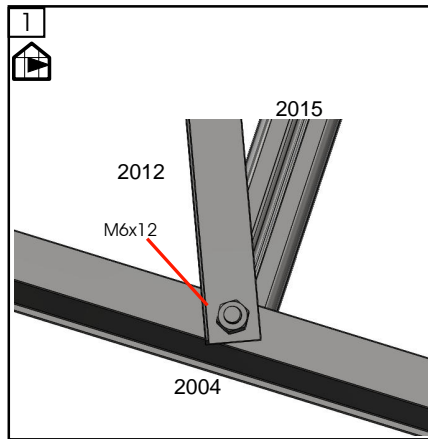
Front gable



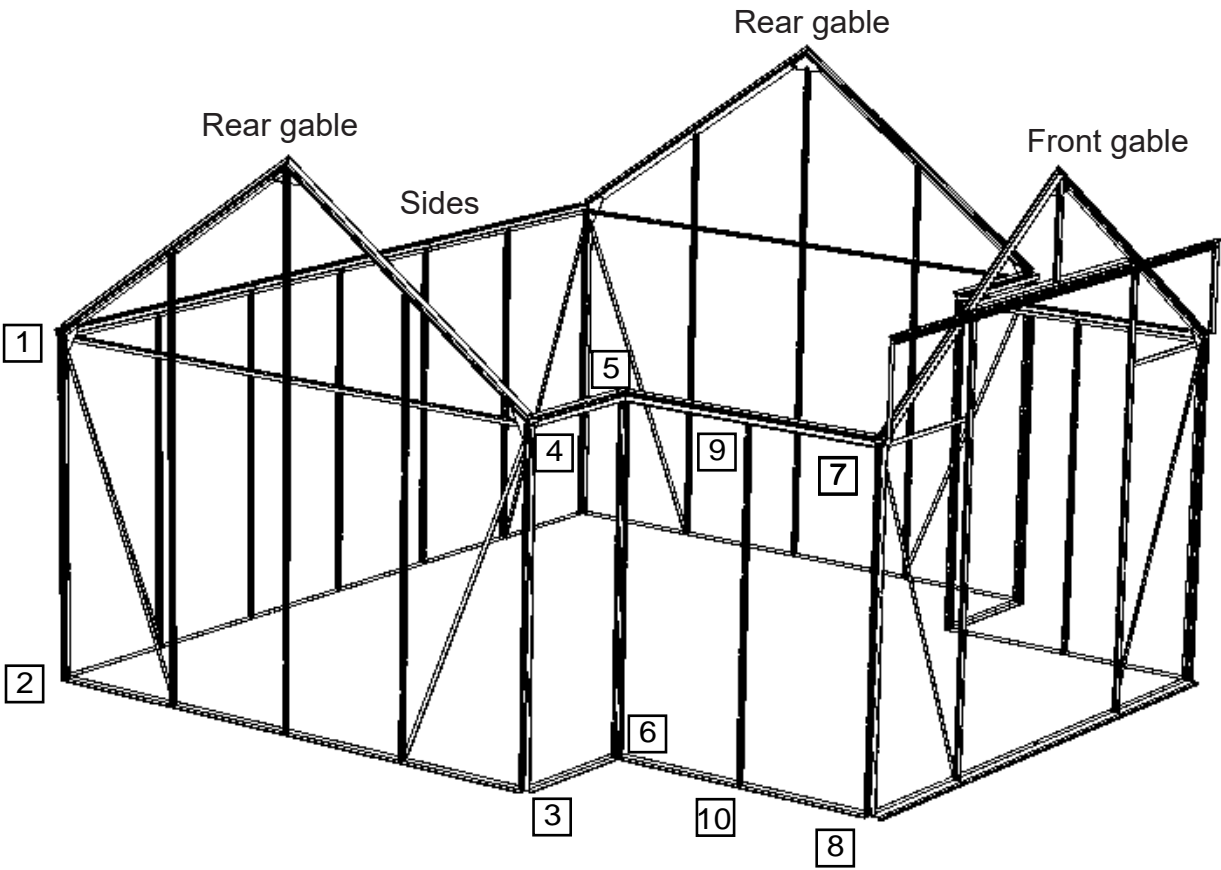
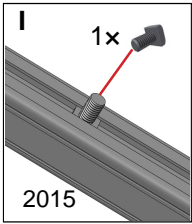
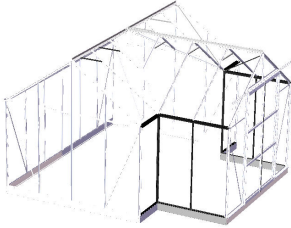
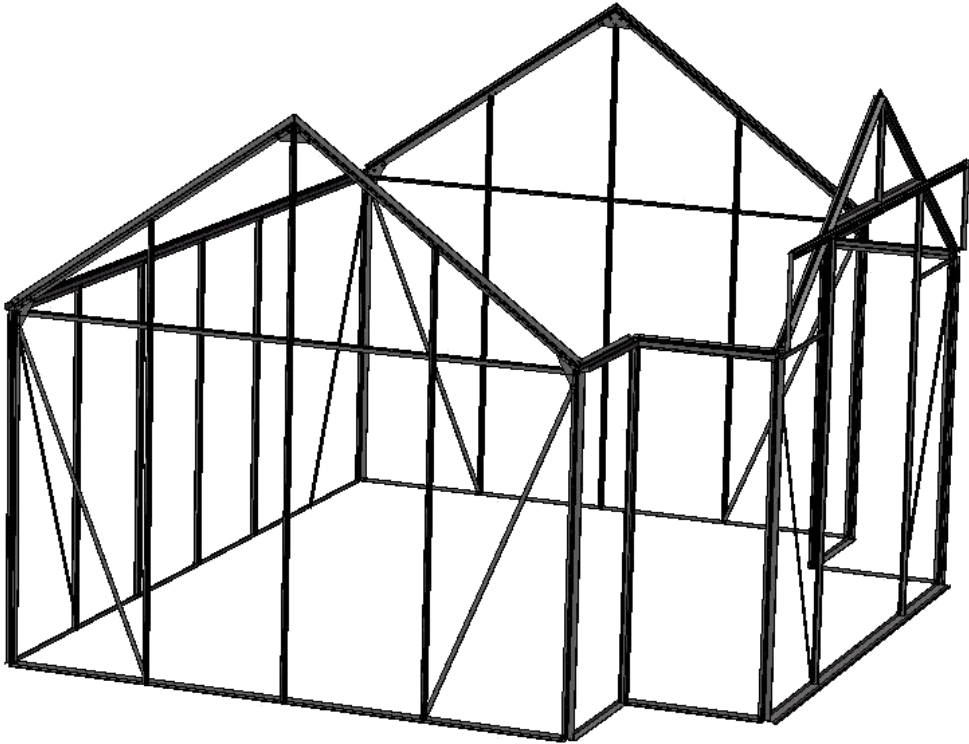
Sides








3	#	mm	
	2004		2
	2012		2
	2015		5
	2009		1
	M6x12 M6		15

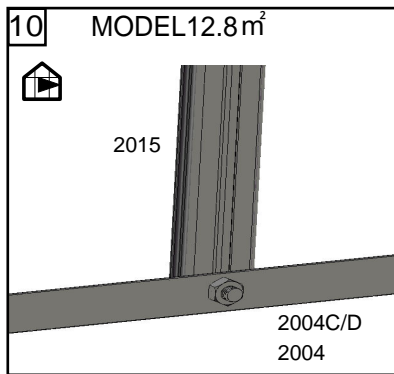
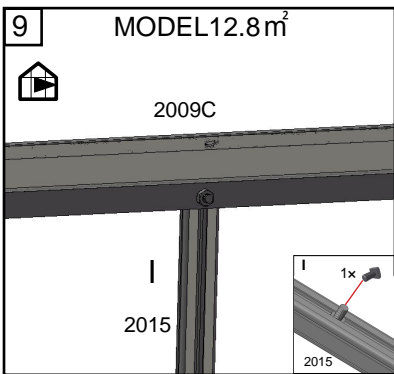
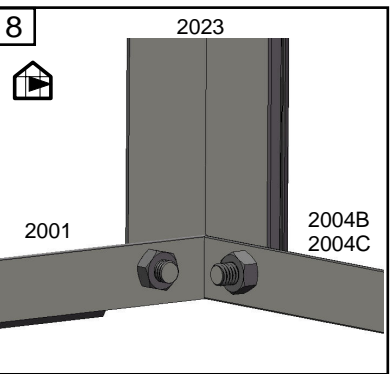
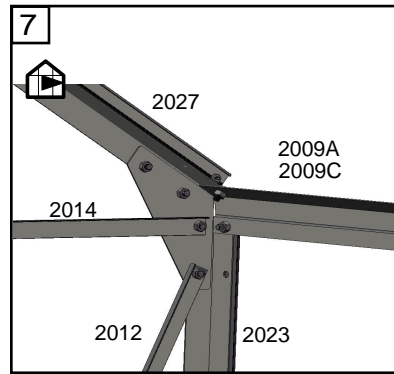
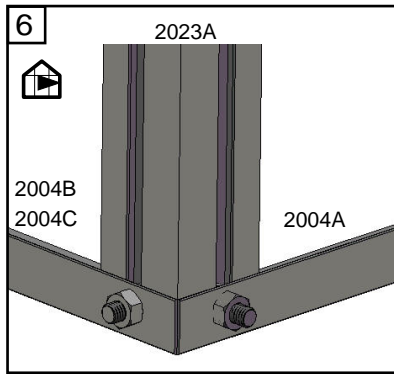
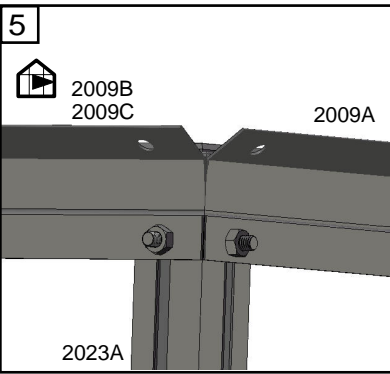
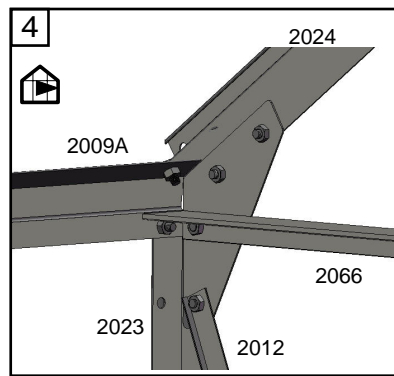
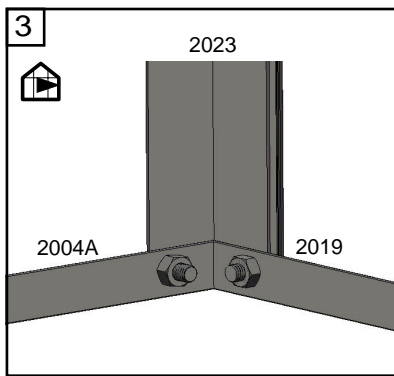
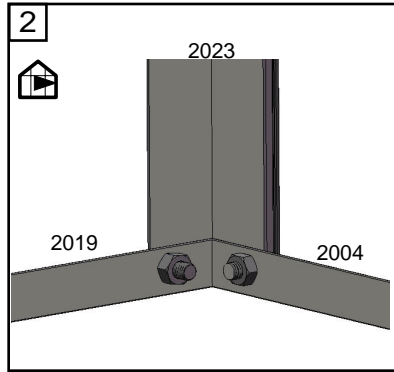
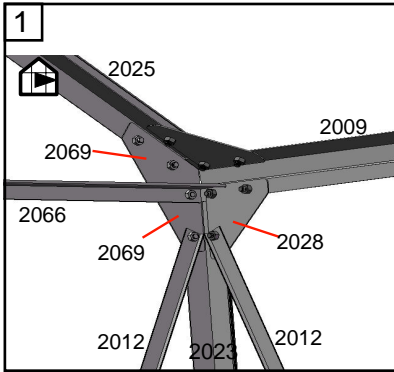


Roof




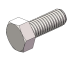




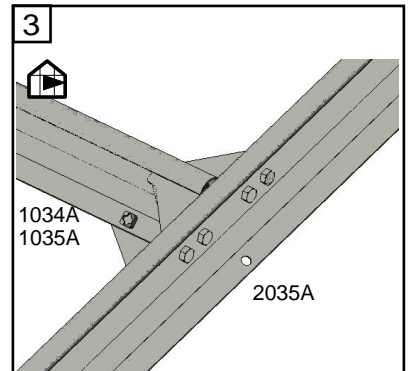
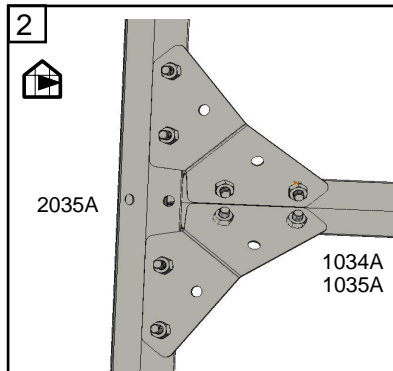
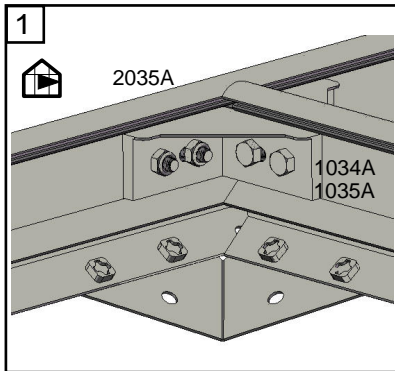
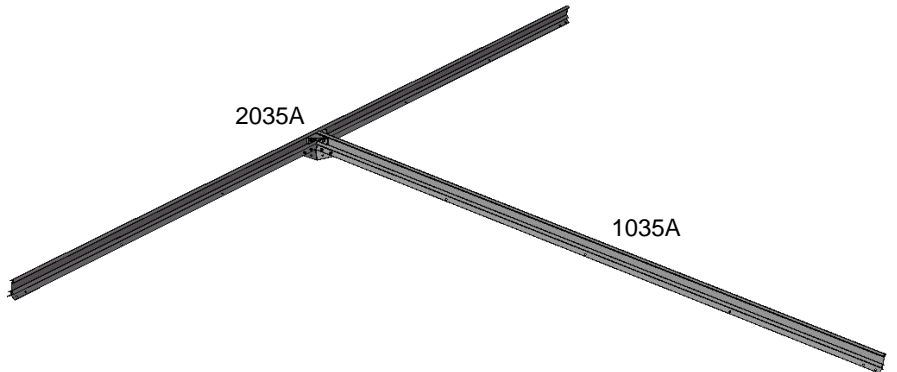
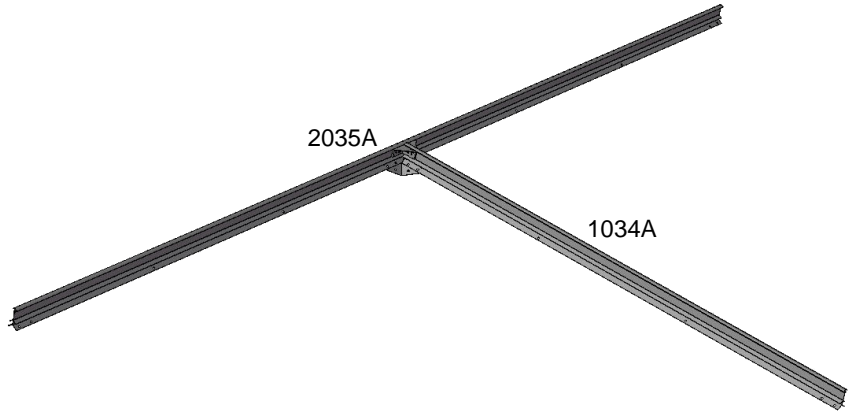
Roof

3	#	mm	10.2m ²	12.8m ²
	2023A		2	2
	2009A		2	1
	2009B		2	1
	2009C			1
	2009D			1
	2004A		2	1
	2004B		2	1
	2004C			1
	2004D			1
	2015			2
	M6x12 M6		34	40



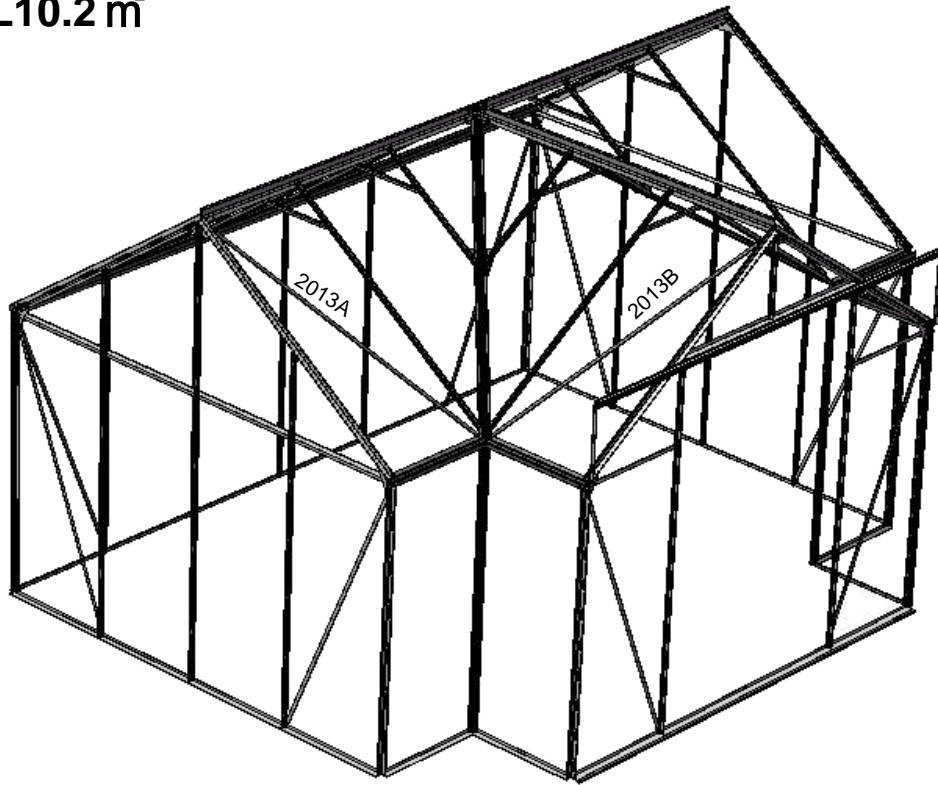
Roof

4	#	mm	10.2m ²	12.8m ²
	2035A		1	1
	1034A		1	
	1035A			1
			2	2
			2	2
		M6x16	4	4
		M6x20	2	2
		M6	6	6
	M6x12 M6		8	8

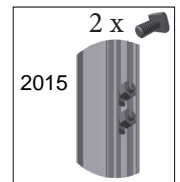
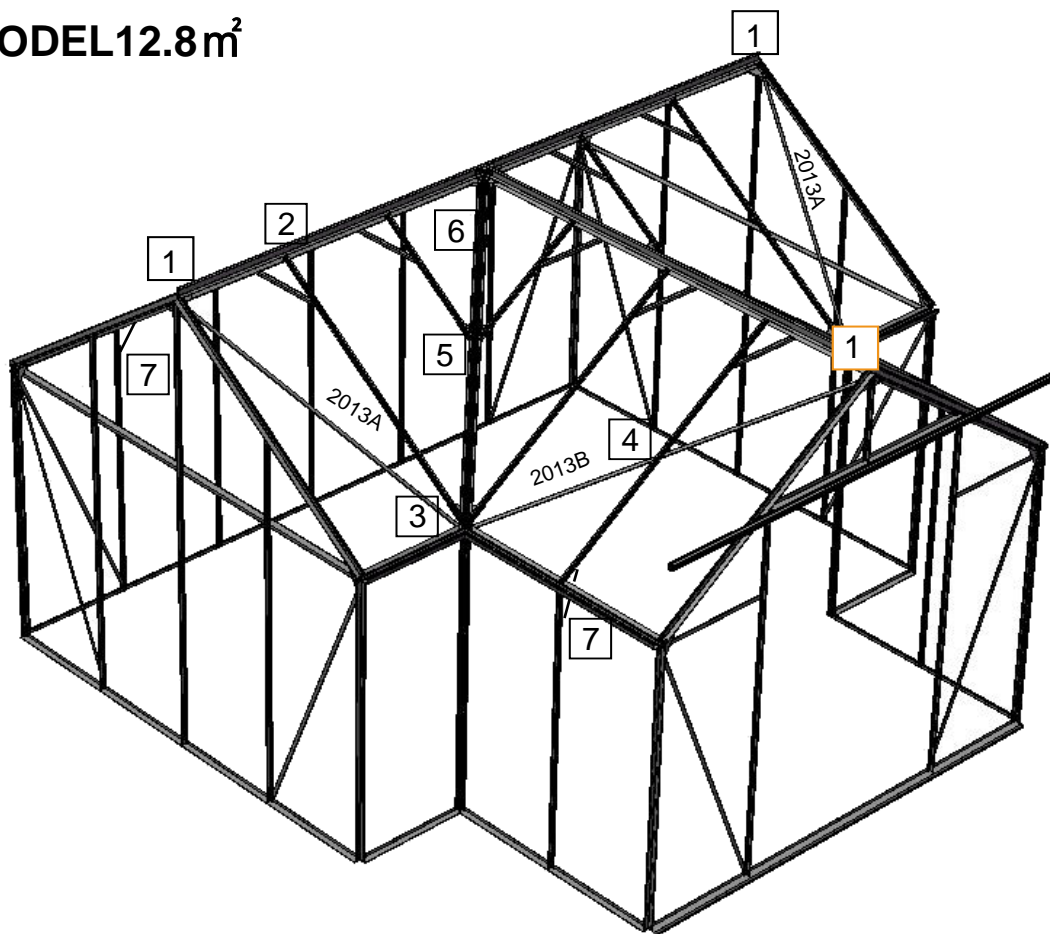


Roof









MODEL 10.2 m²

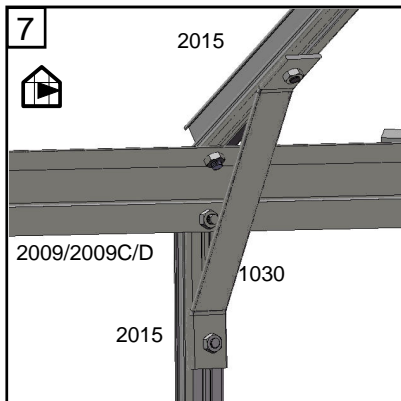
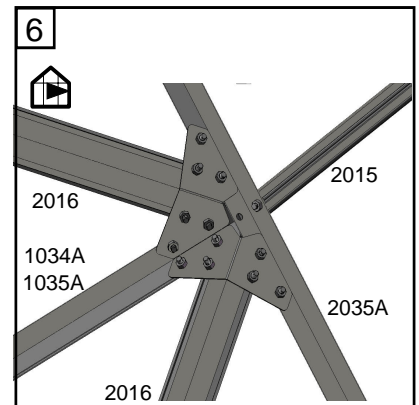
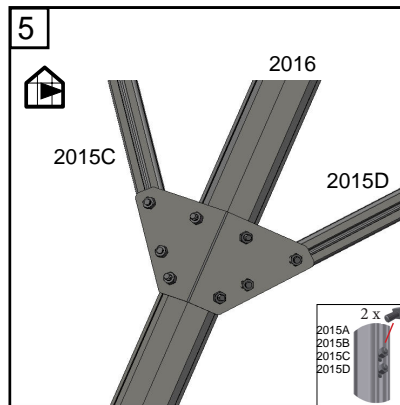
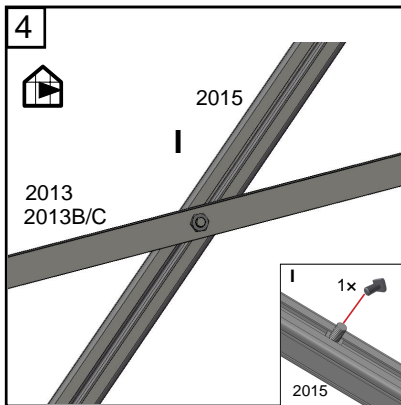
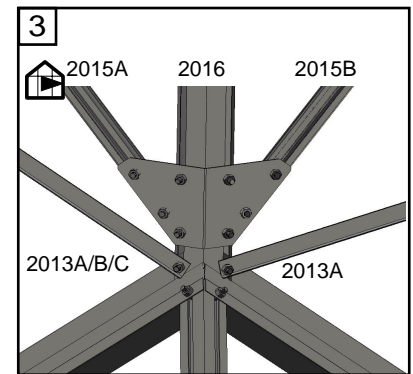
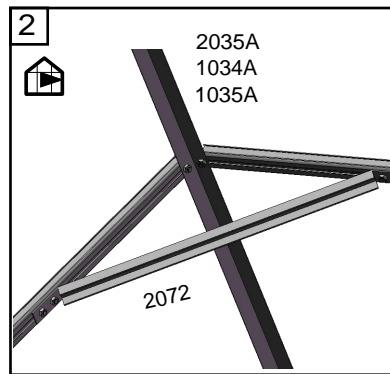
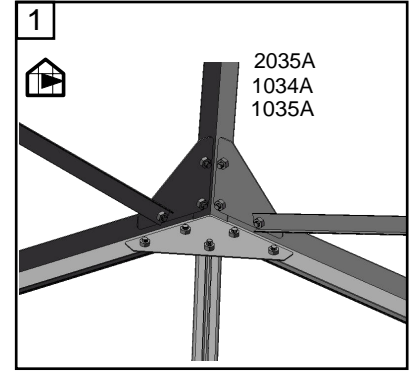
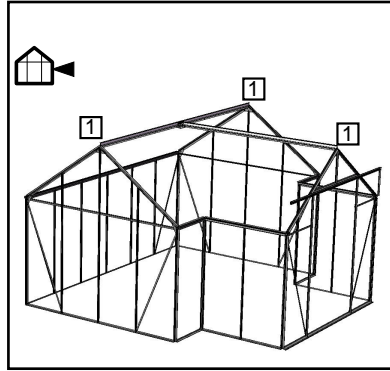


MODEL 12.8 m²

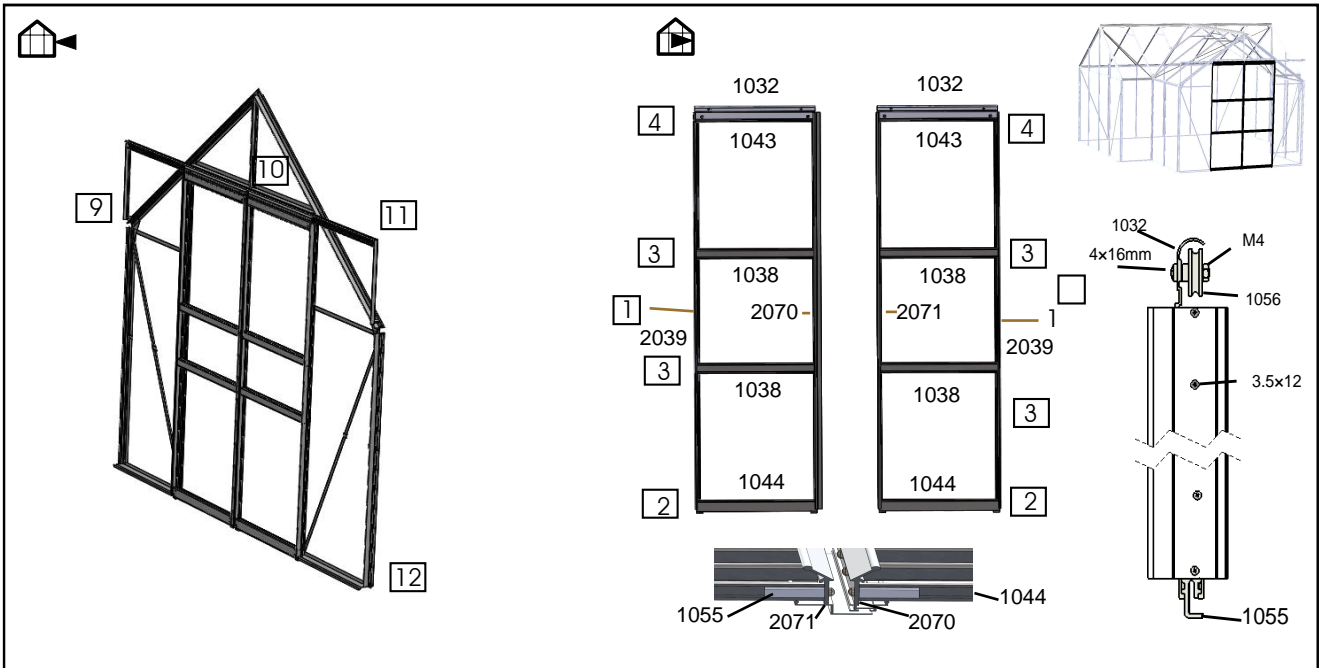


Roof

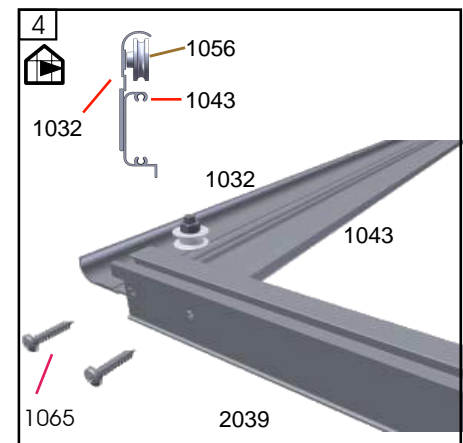
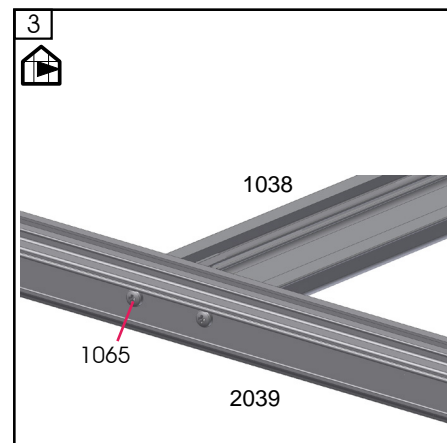
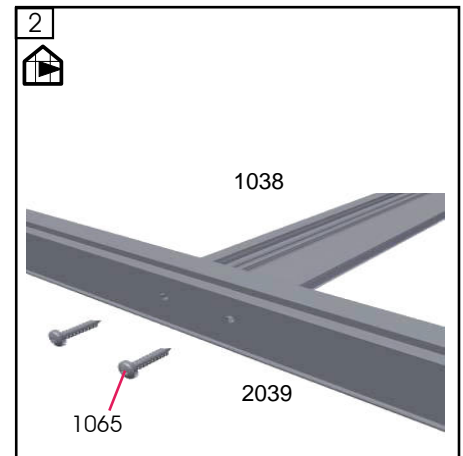
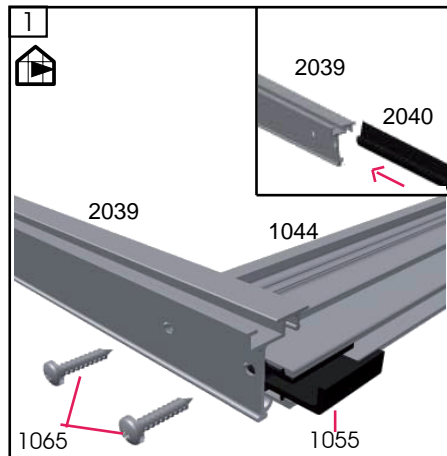
4	#	mm	10.2m ²	12.8m ²
	2016		2	2
	2015		5	7
	2015A		2	2
	2015B		2	2
	2015C		2	2
	2015D		2	2
	2013		2	2
	2013A		4	2
	2013B			1
	2013C			1
	1030		5	7
	2072		6	7
			10	10
			4	4
	M6x12 M6		113	127



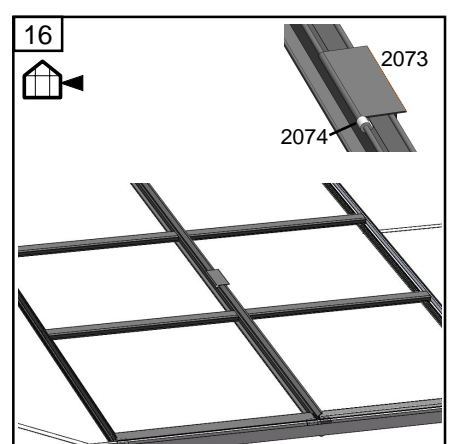
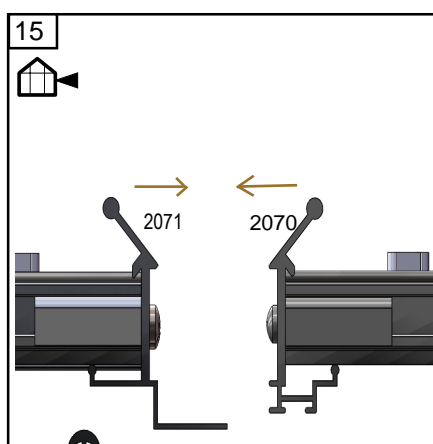
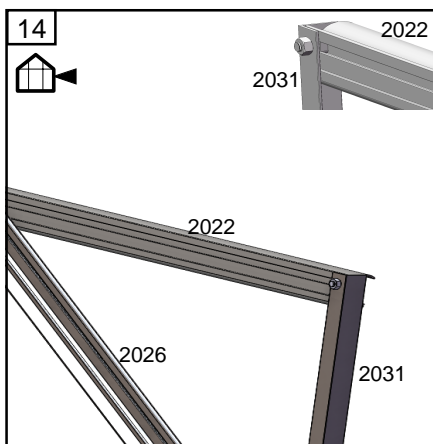
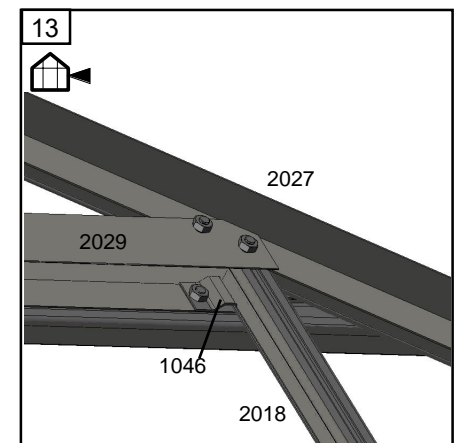
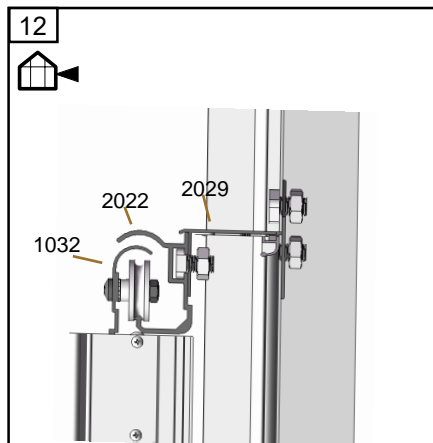
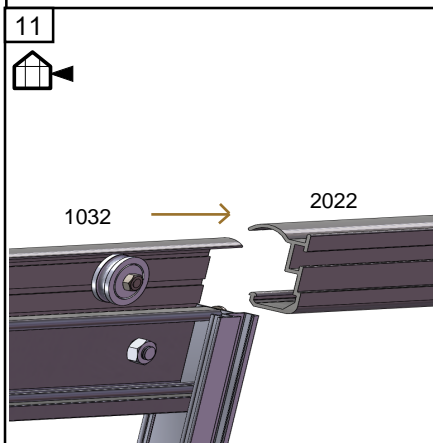
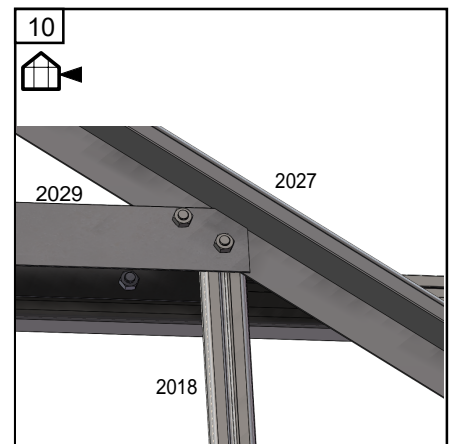
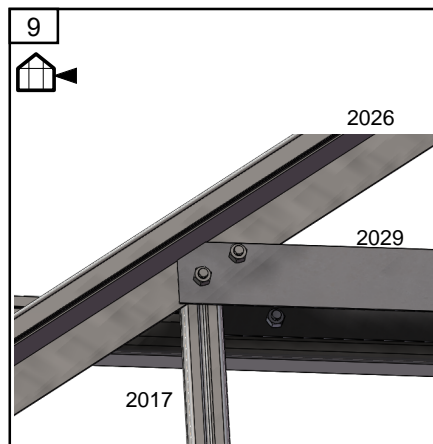
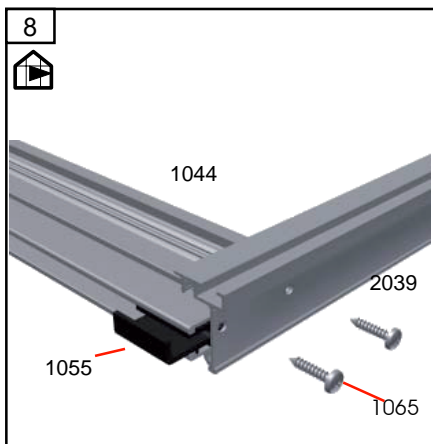
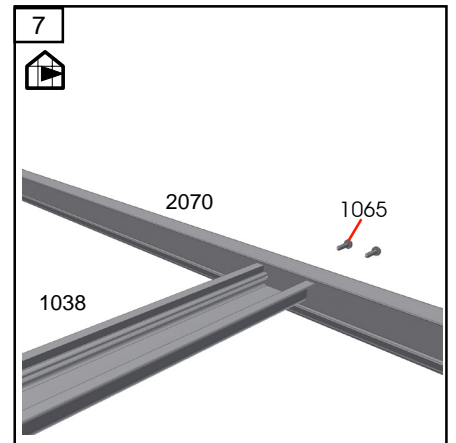
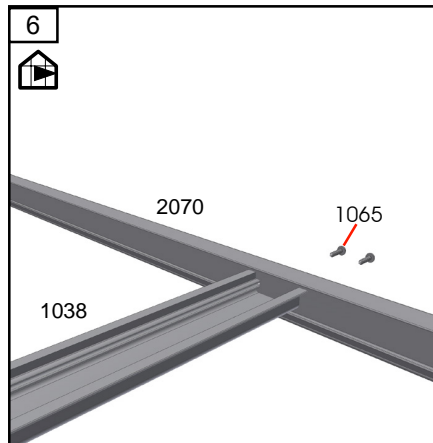
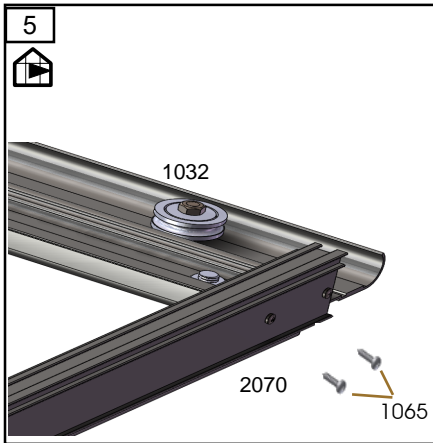
Door



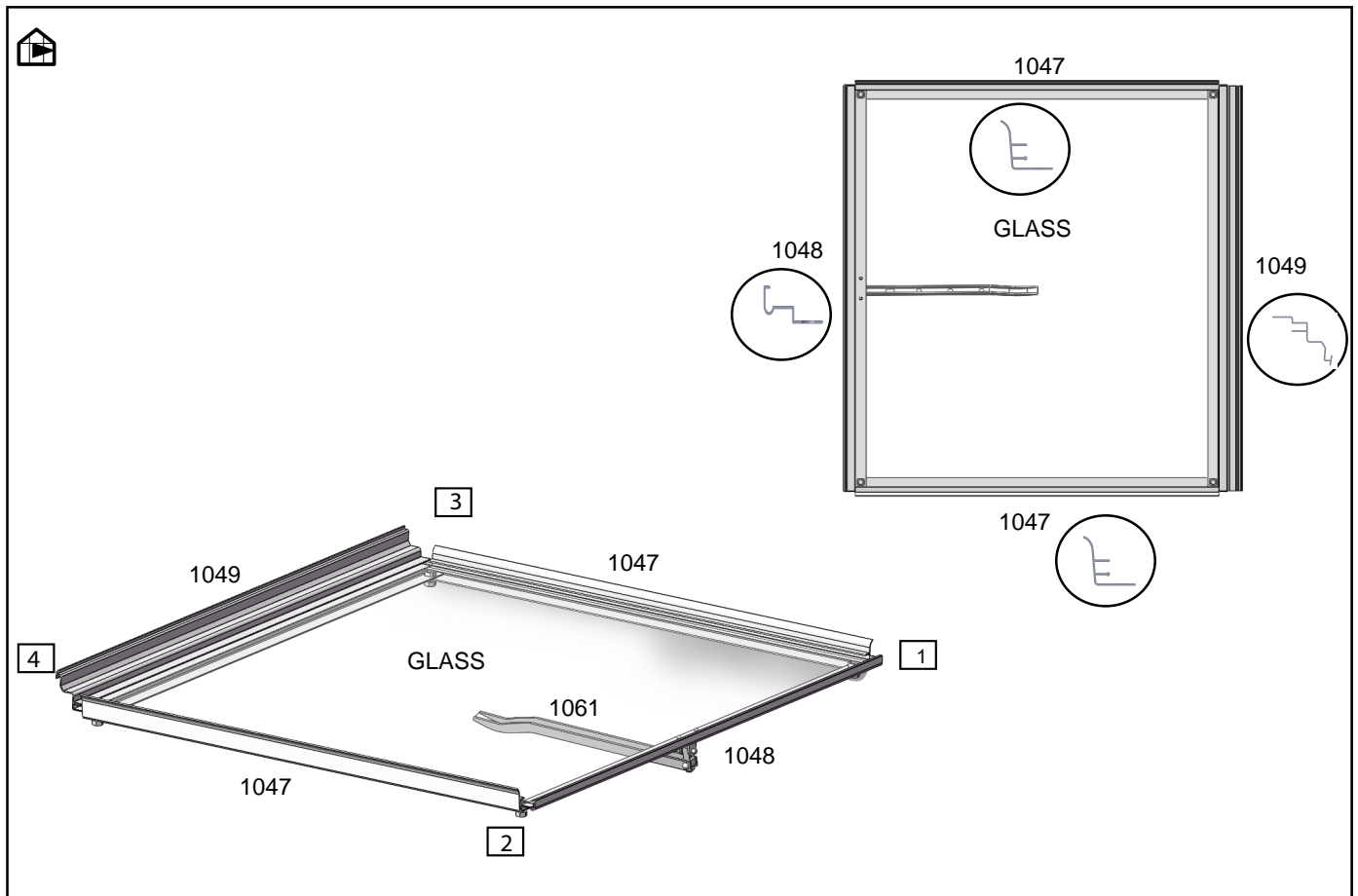
5	#	mm	
	2039		2
	1044		2
	1038		4
	1043		2
	1032		2
	2070		1
	2071		1
	2031		2
	1046		2
	1062		2
	2073		1
	2074		1
	2040		2
	1056		4
	1064	M4 x 16 M4	4
	1053	M4	4
	1065	3.5 x 12	32
	1055		4
		6 x 12 M6	4
		6 x 40 M6	2



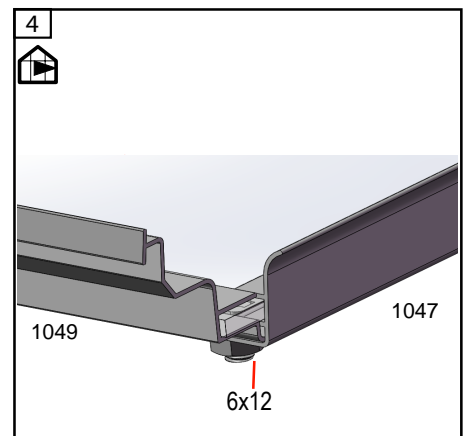
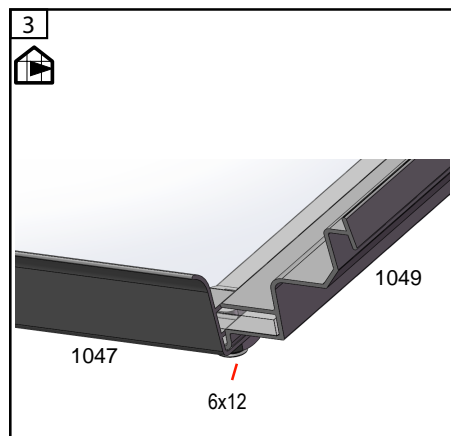
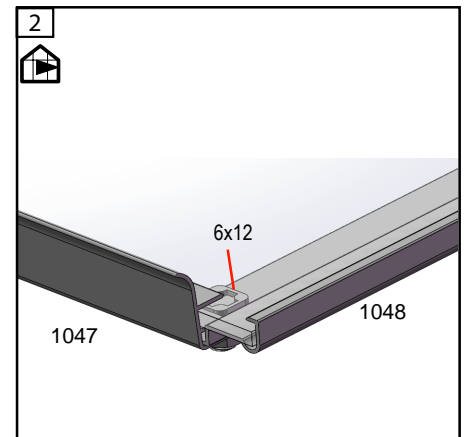
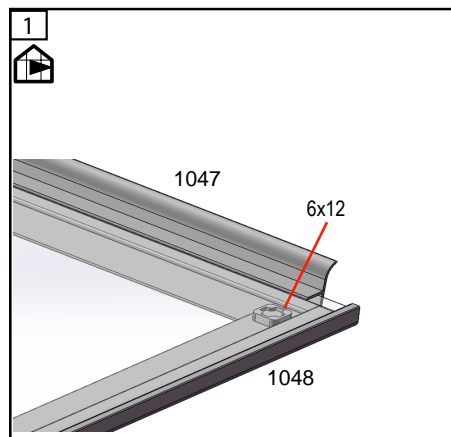
Door



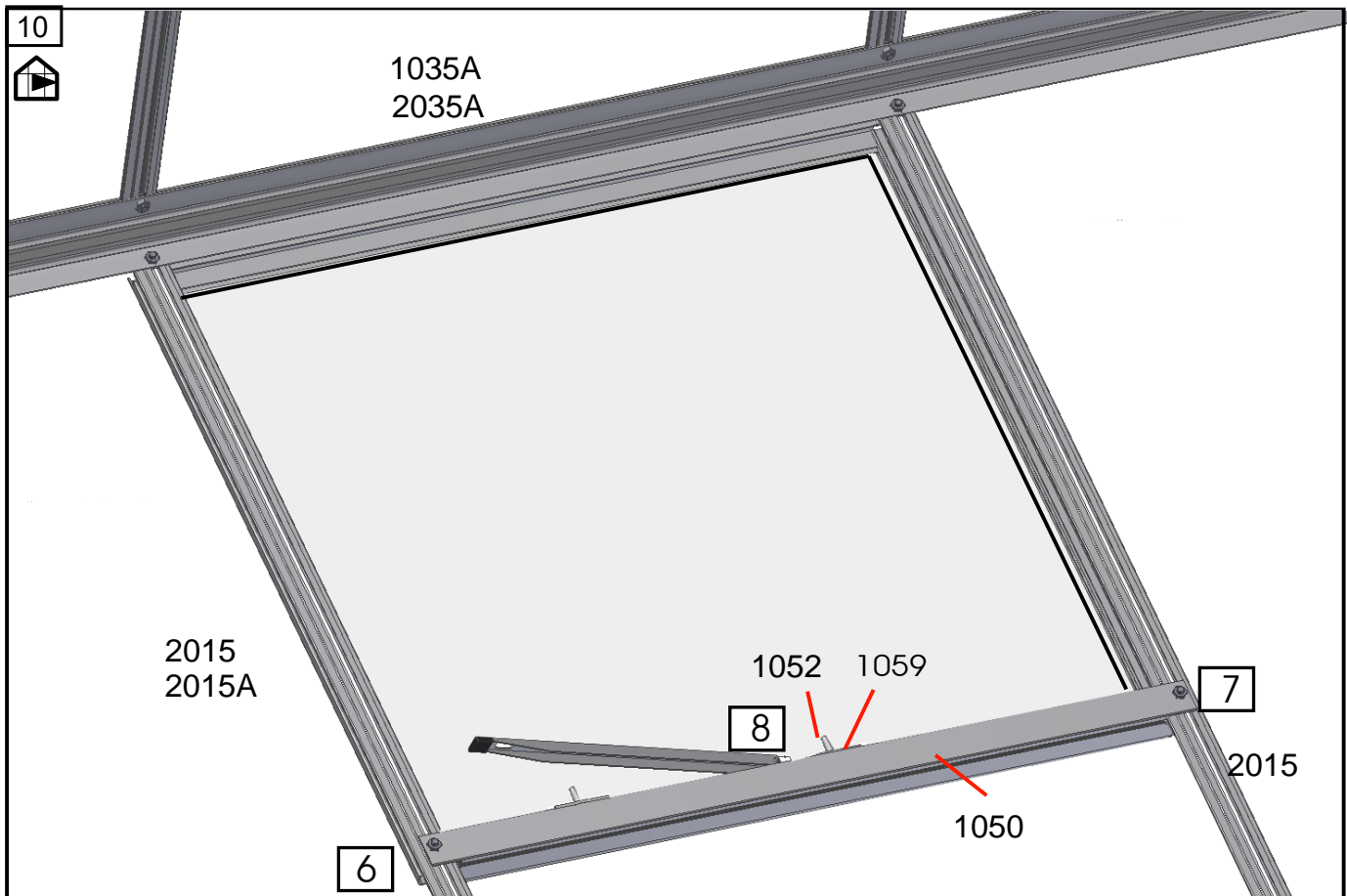
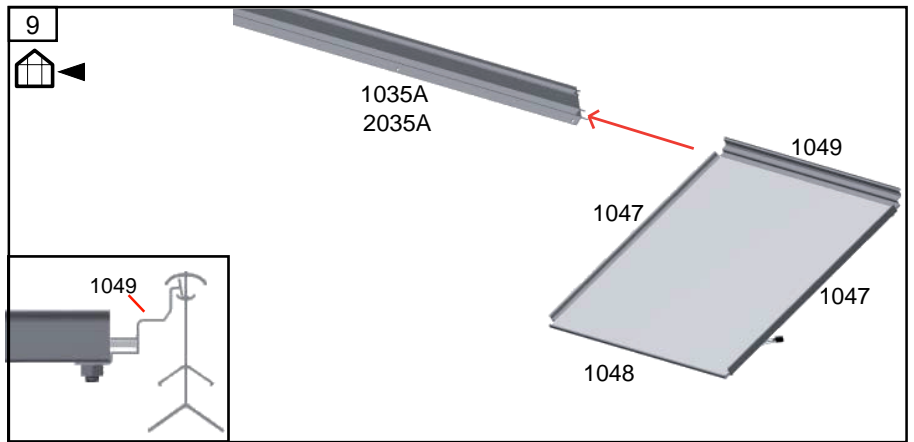
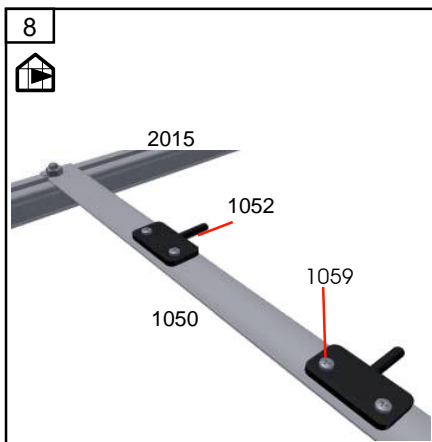
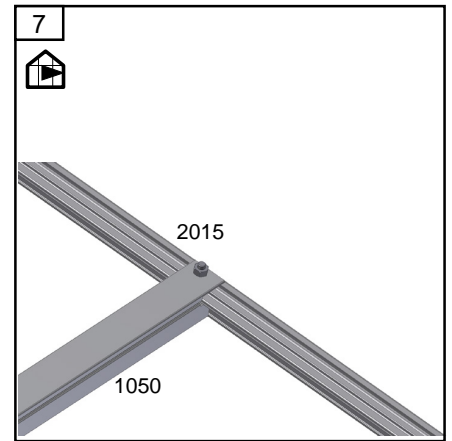
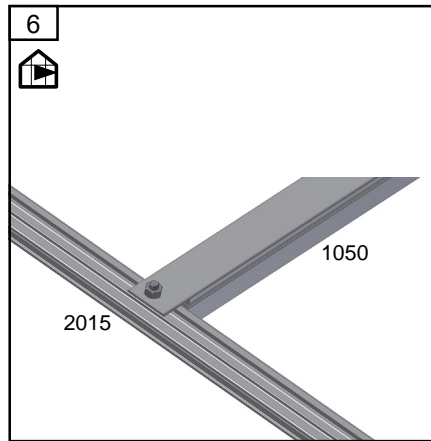
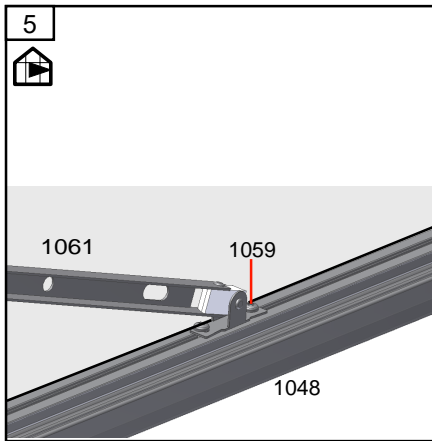
Windows



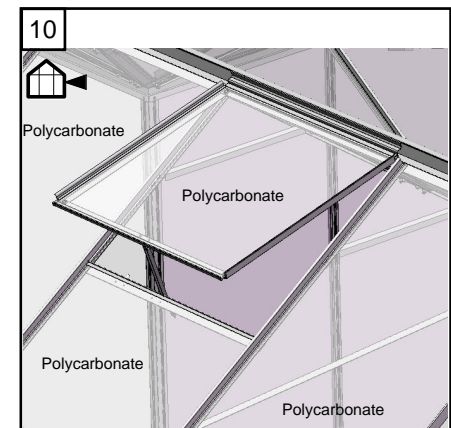
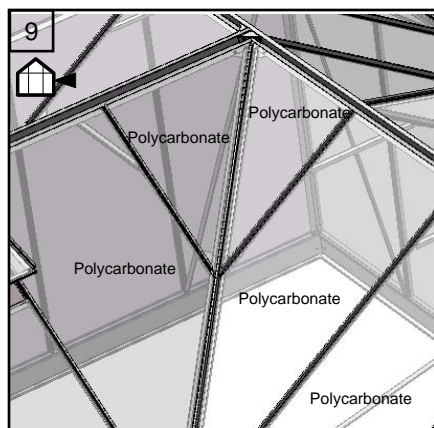
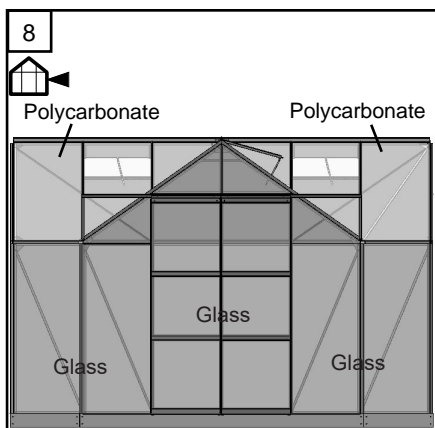
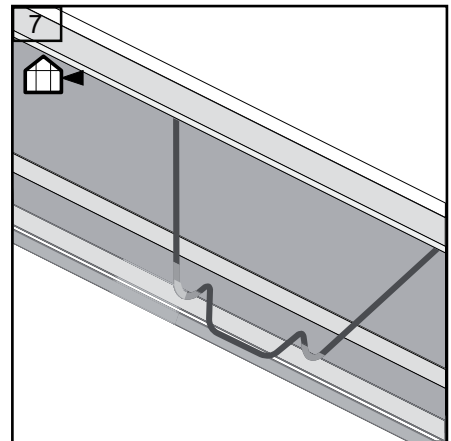
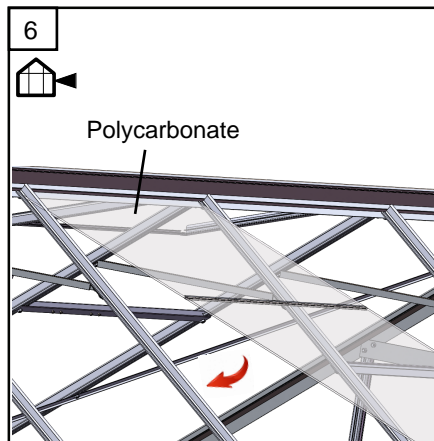
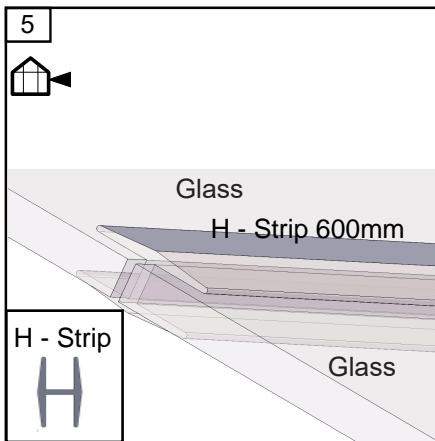
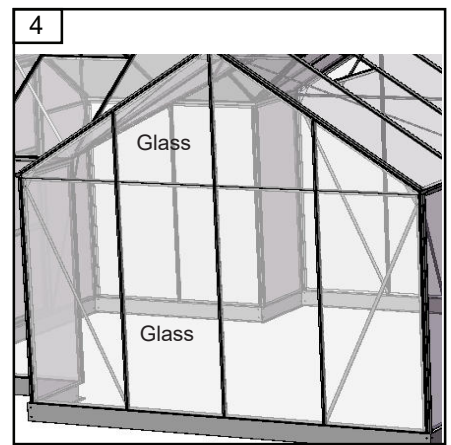
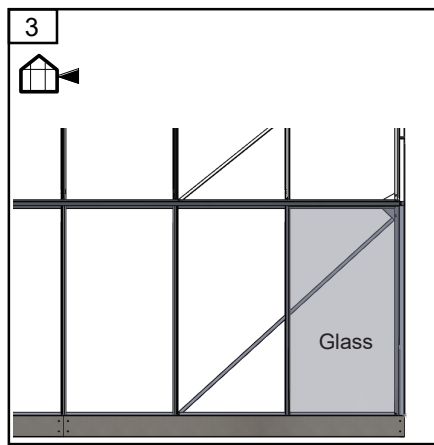
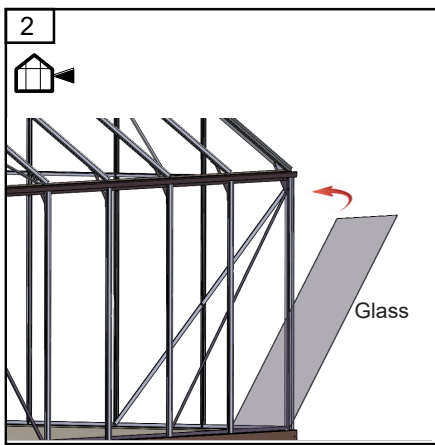
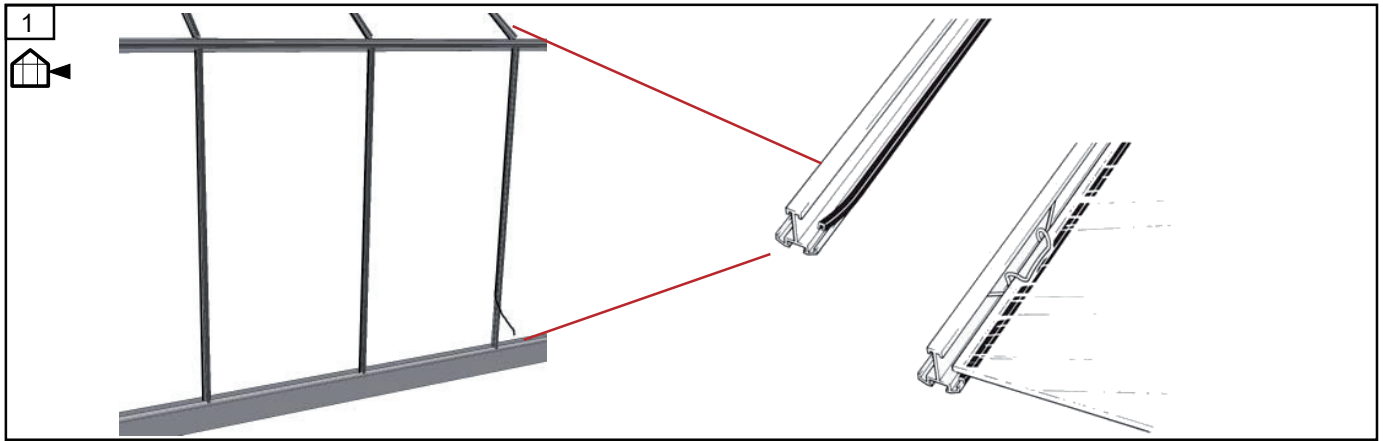
6	#	mm	10.2m ²	12.8m ²
	1049		2	3
	1048		2	3
	1047		4	6
	1050		2	3
	1061		2	3
	1052		4	6
		6x12 M6	8	12
	1059	3.5x6	12	18



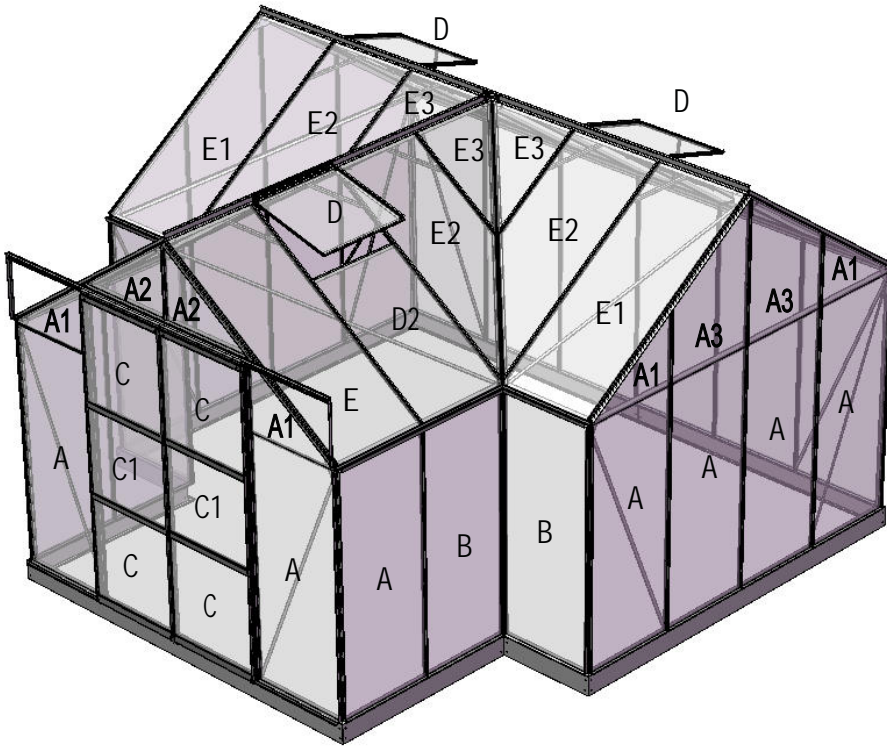
Windows



Glass+Polycarbonate



Glass+Polycarbonate



7	#	mm	10.2m ²	12.8m ²
	A	615x1508	16	18
	A1	615x450 / 20	6	6
	A2	615x443 / 12	2	2
	A3	615x886 / 456	4	4
	B	594x1508	4	4
	C	615x610	4	4
	C1	615x 525	2	2
	D	602x550	2	3
	D1	615x985	2	2
	D2	615x985 / 970	0	1
	E	615x1520	4	6
	E1	615x 1520 / 1505	4	3
	E2	615x 1497 / 746	4	4
	E3	594x 740 / 15	4	4
	H	H - Strip 600mm	10	10
		1057	440	480
		1054	123	135

