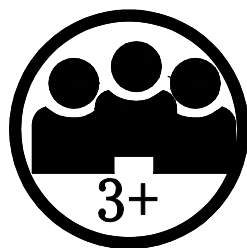
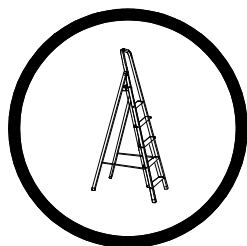
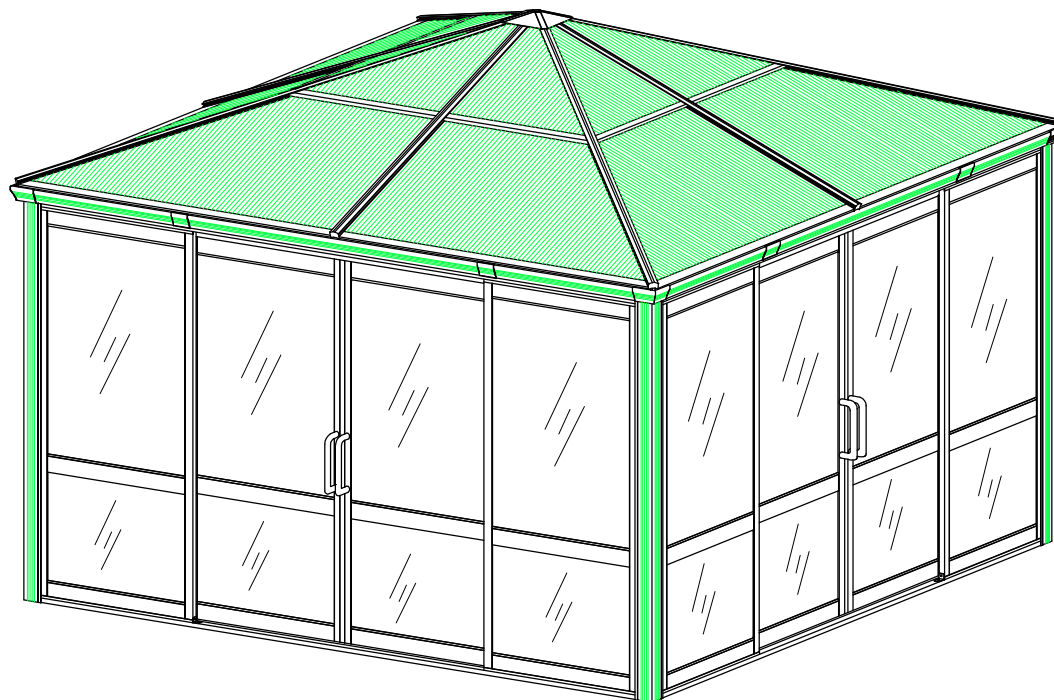






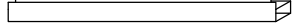

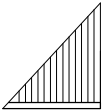

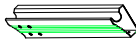
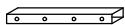


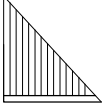

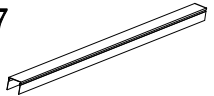
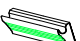

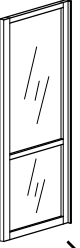
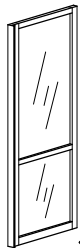
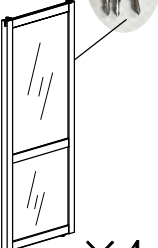

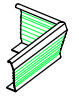

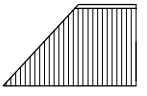

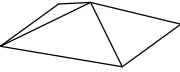


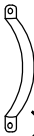
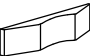
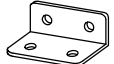
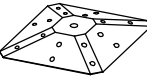





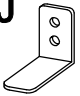

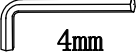
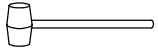
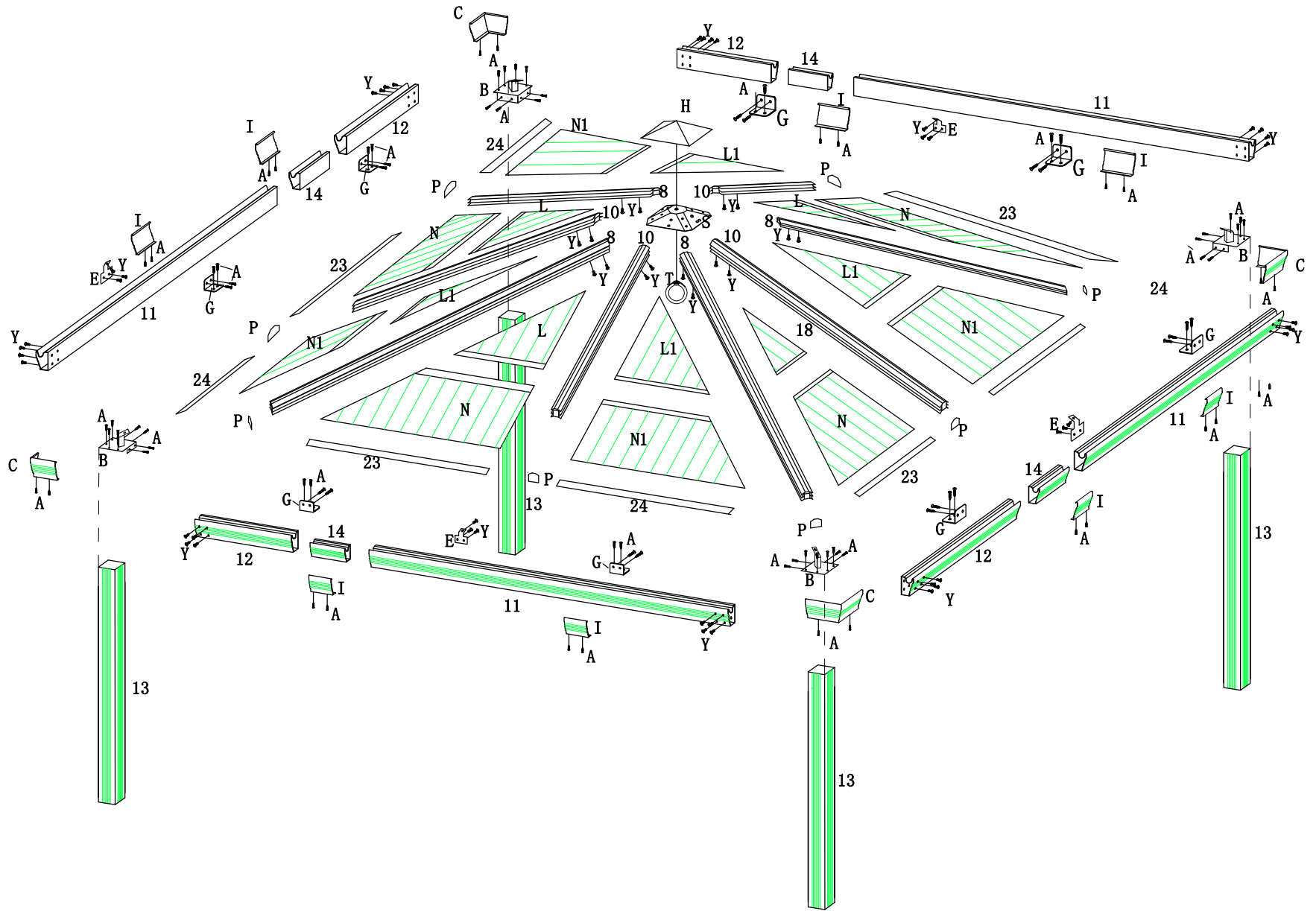
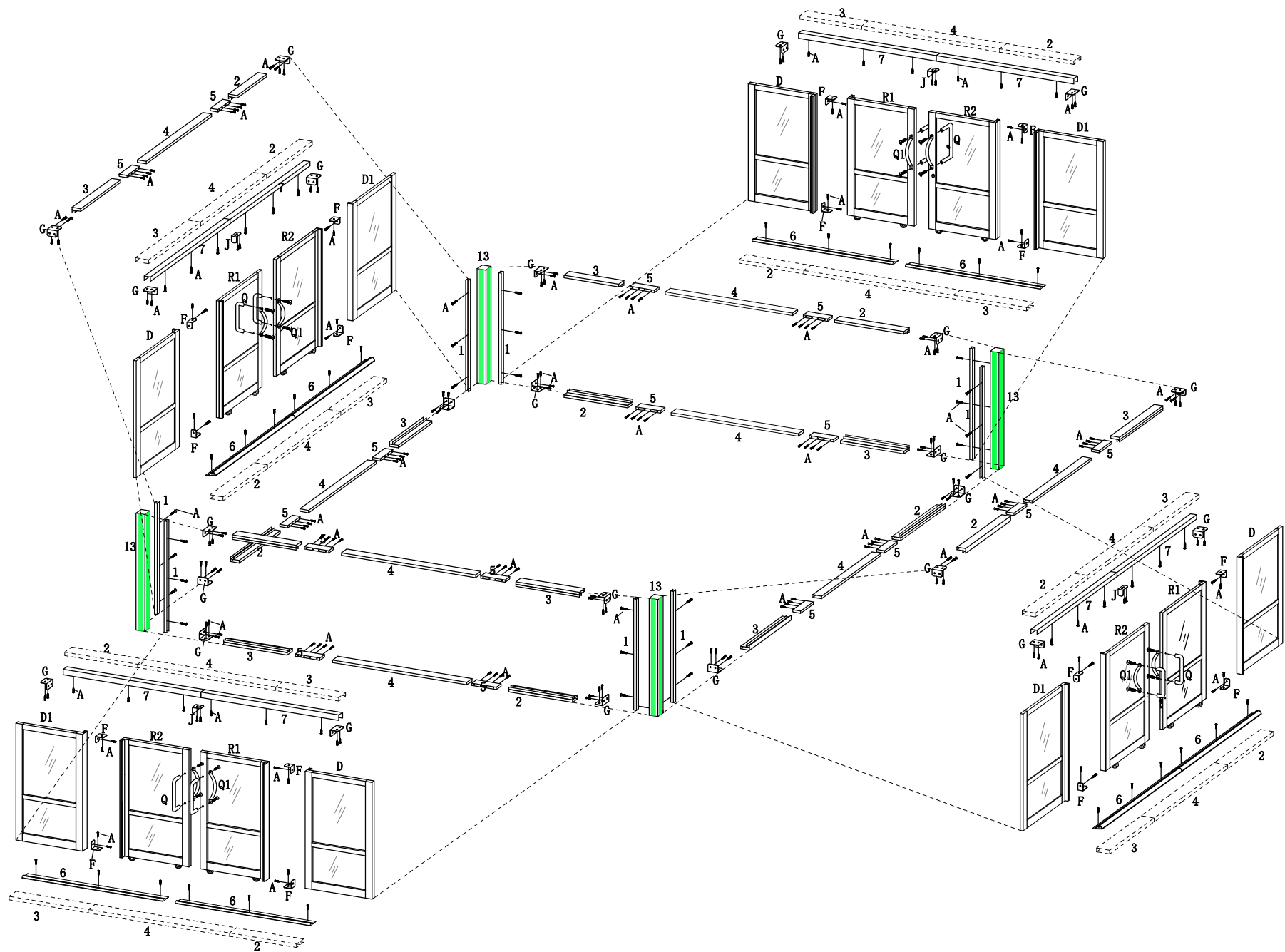


4X4M

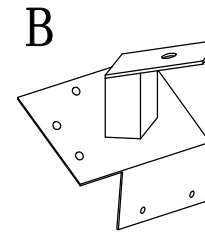
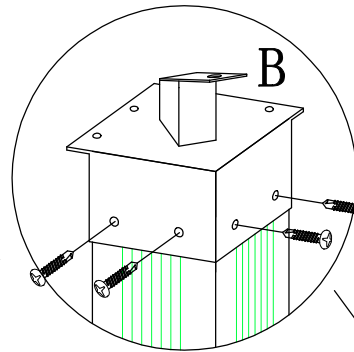
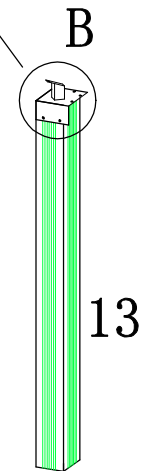
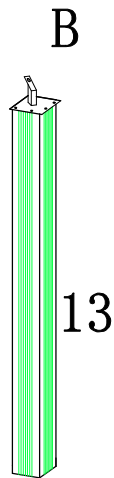
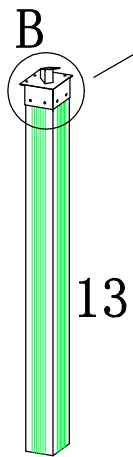
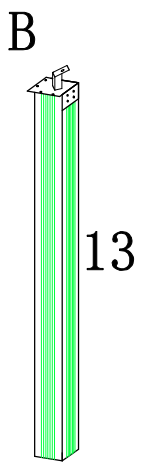


1		×8	8		×4	15		×4															
2		×8	10		×4	16		×4															
3		×8	11		×4	L		×4															
4		×8	12		×4																		
5		×16	A		×370	13		×4	L-1		×4												
6		×8	7		×8	14		×4	B				×4										
D		×4	D1		×4	R1		×4	R2		×4	C		×4	E		×4	N		×4			
						I		×8	H		×1			N-1		×4							
Q		×8	Q1		×8	K		×8	G		×32	S		×1	T		×1	Y		×65			
17		100M	×1	18		10M	×1	F		×16	J		×4	P		×8	R		4mm	×1	Z		×1

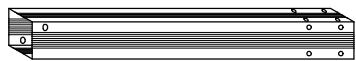




1



13



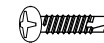
×4

B



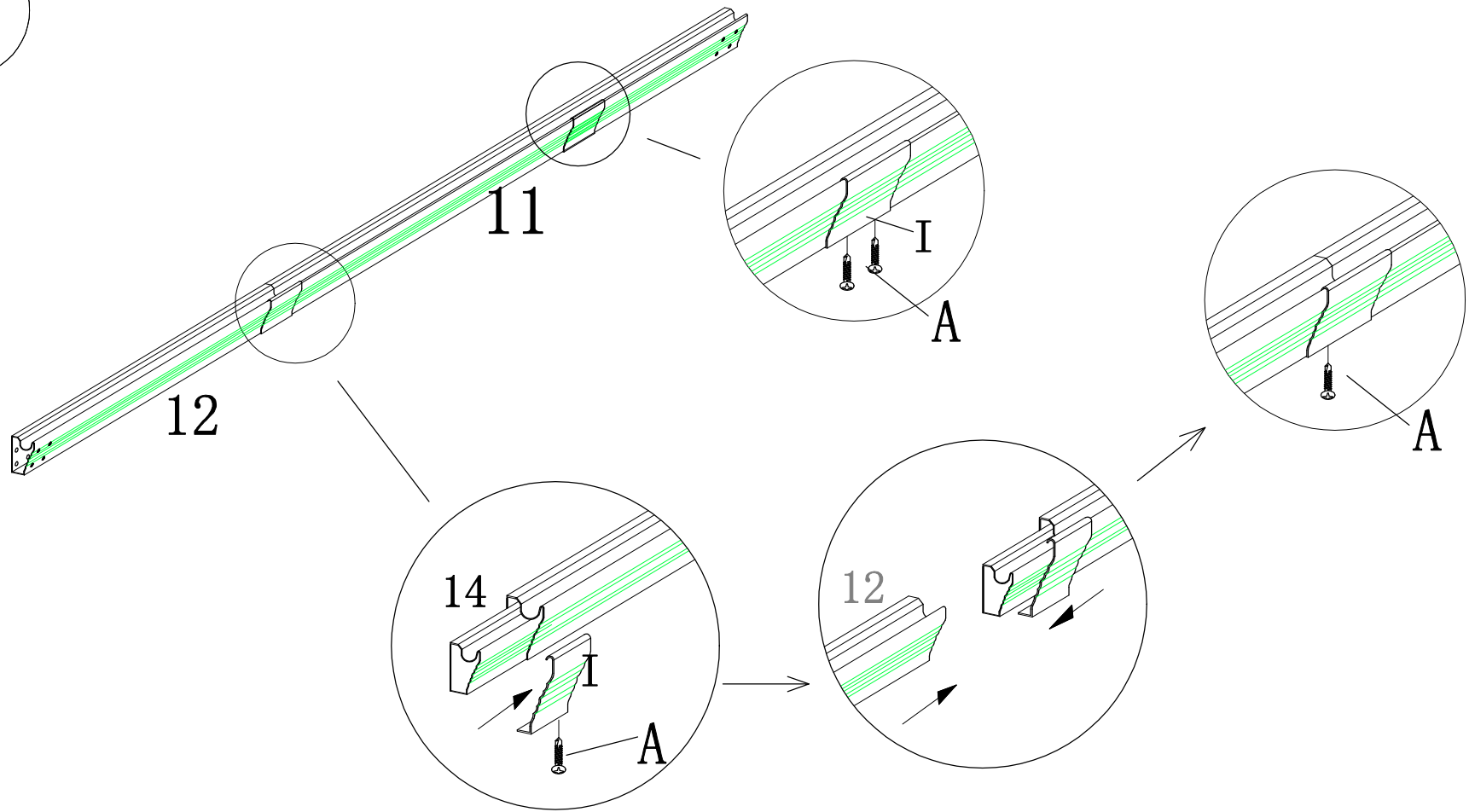
×4

A

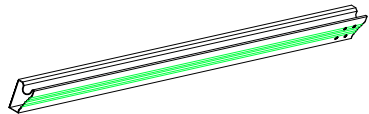


×16

2

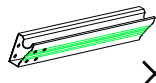


11



×4

12



×4

14



×4

I



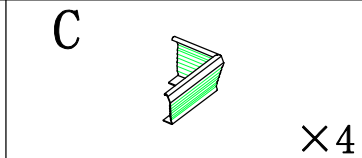
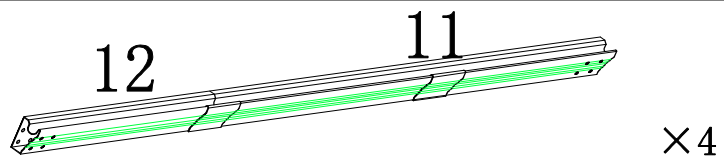
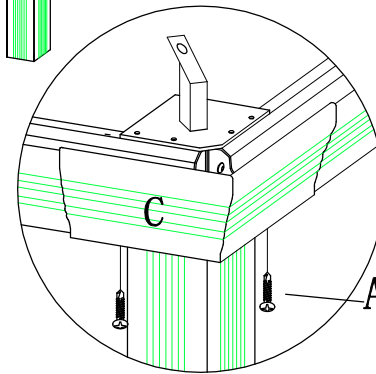
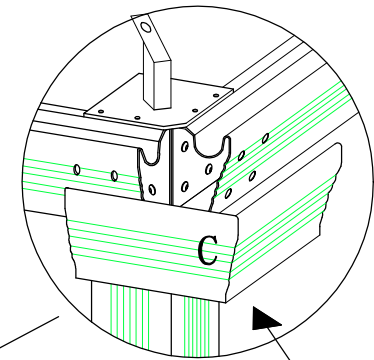
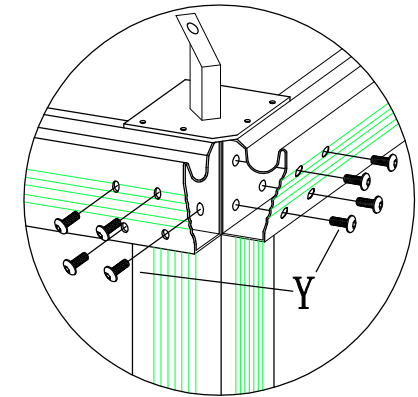
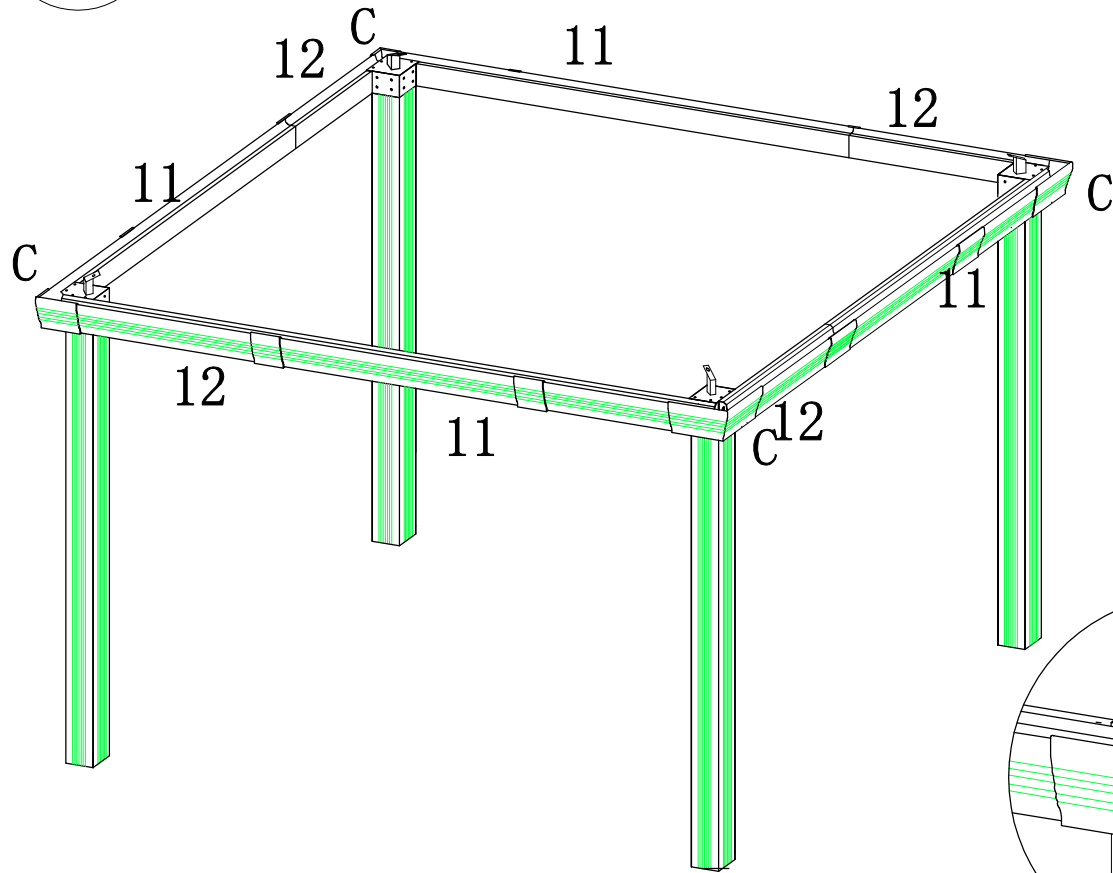
×8

A

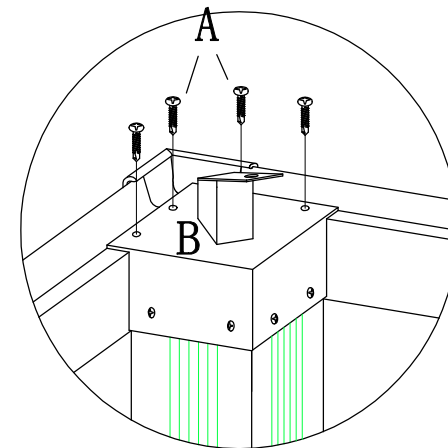
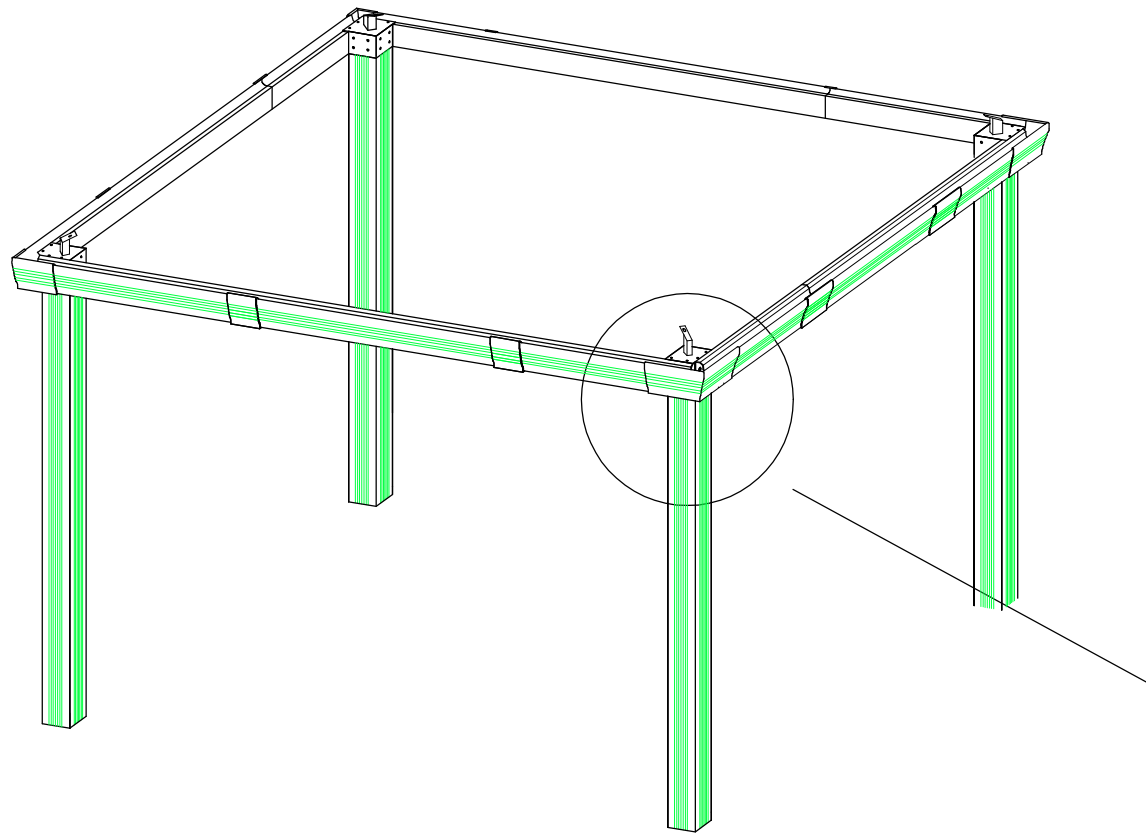



×16

3

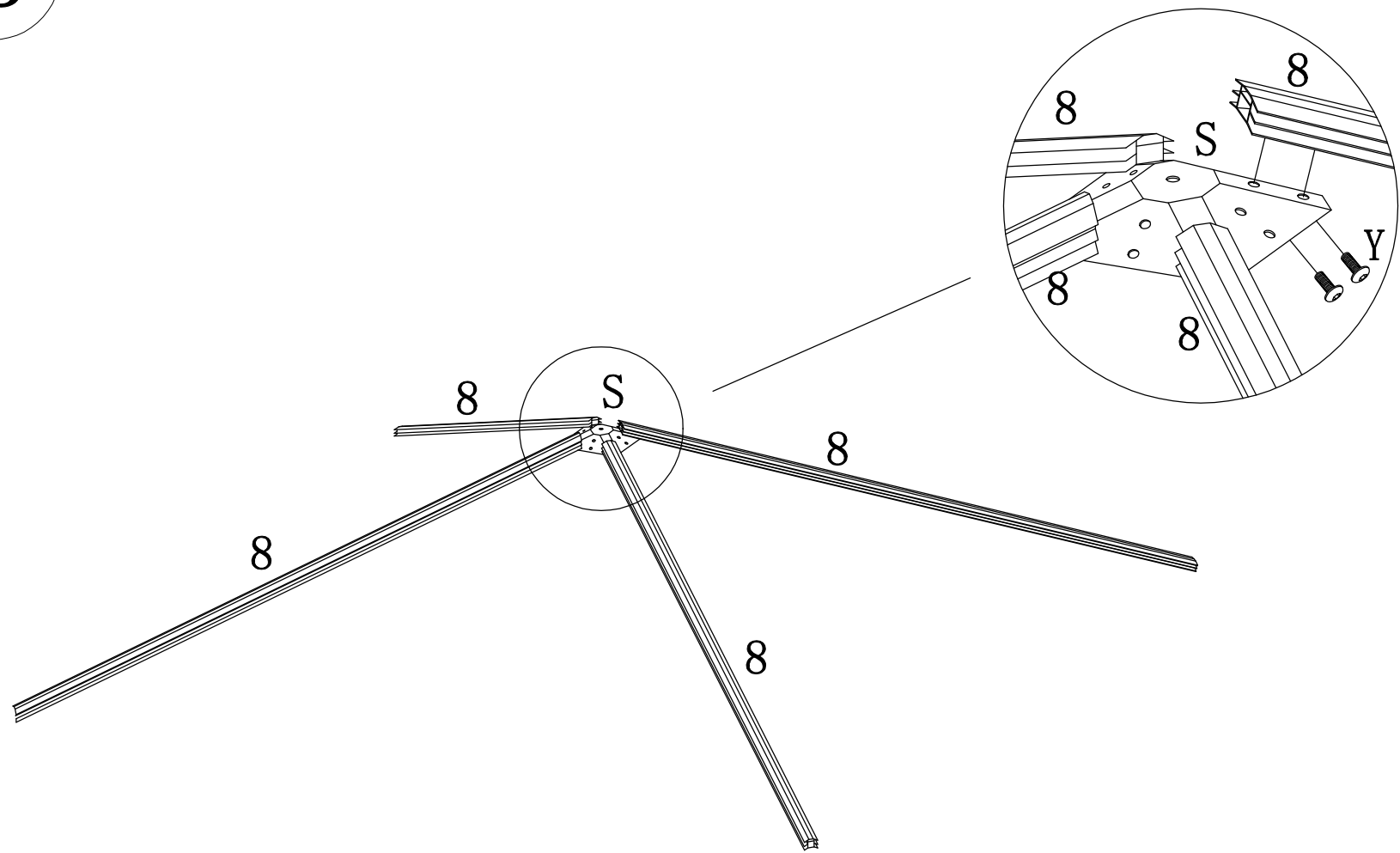


4



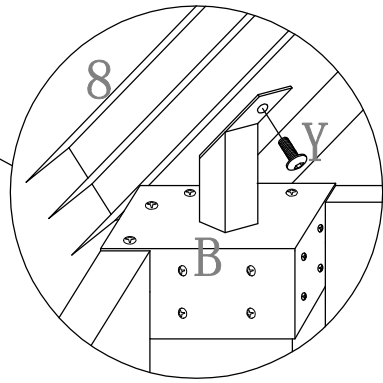
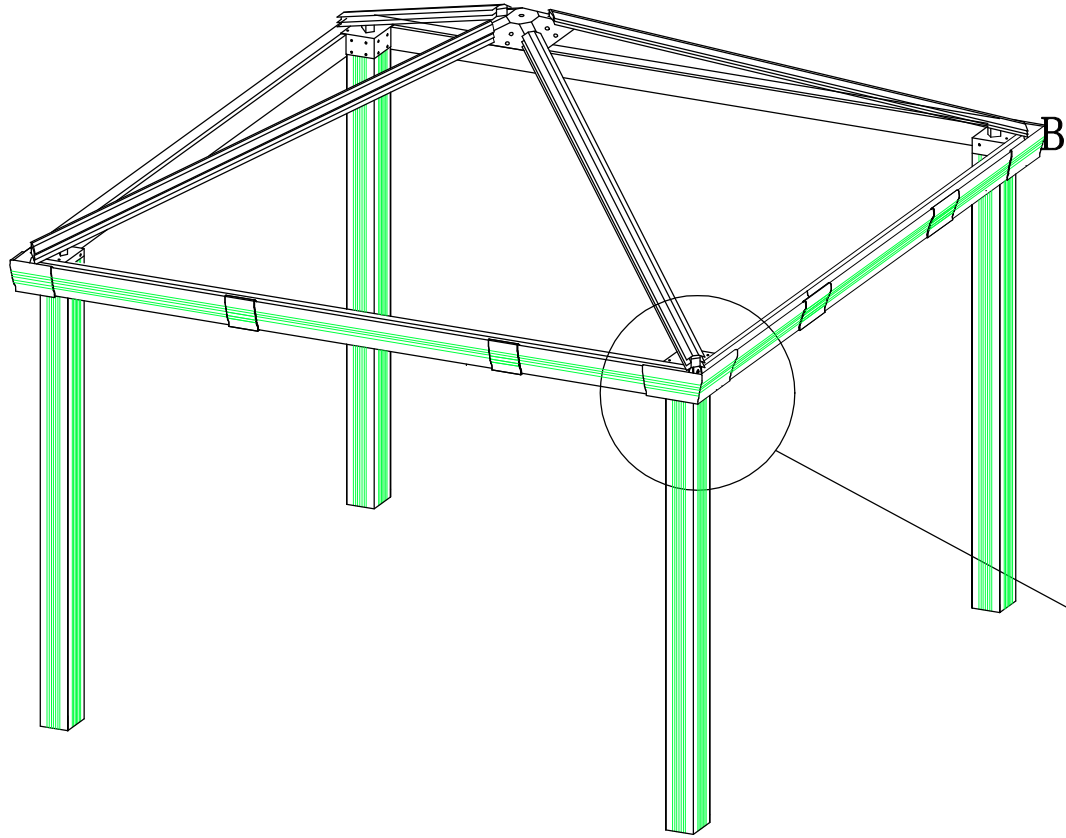
A  ×16

5




<p>8</p> <p>X4</p>	<p>S</p> <p>X1</p>	<p>Y</p> <p>X8</p>
--------------------	--------------------	--------------------

6

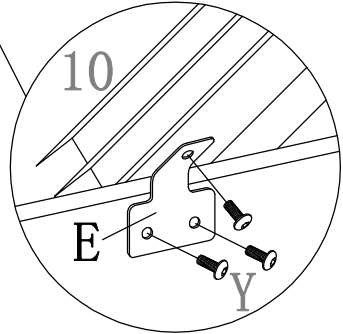
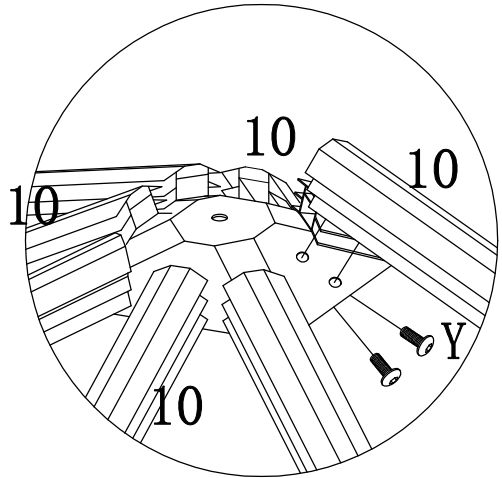
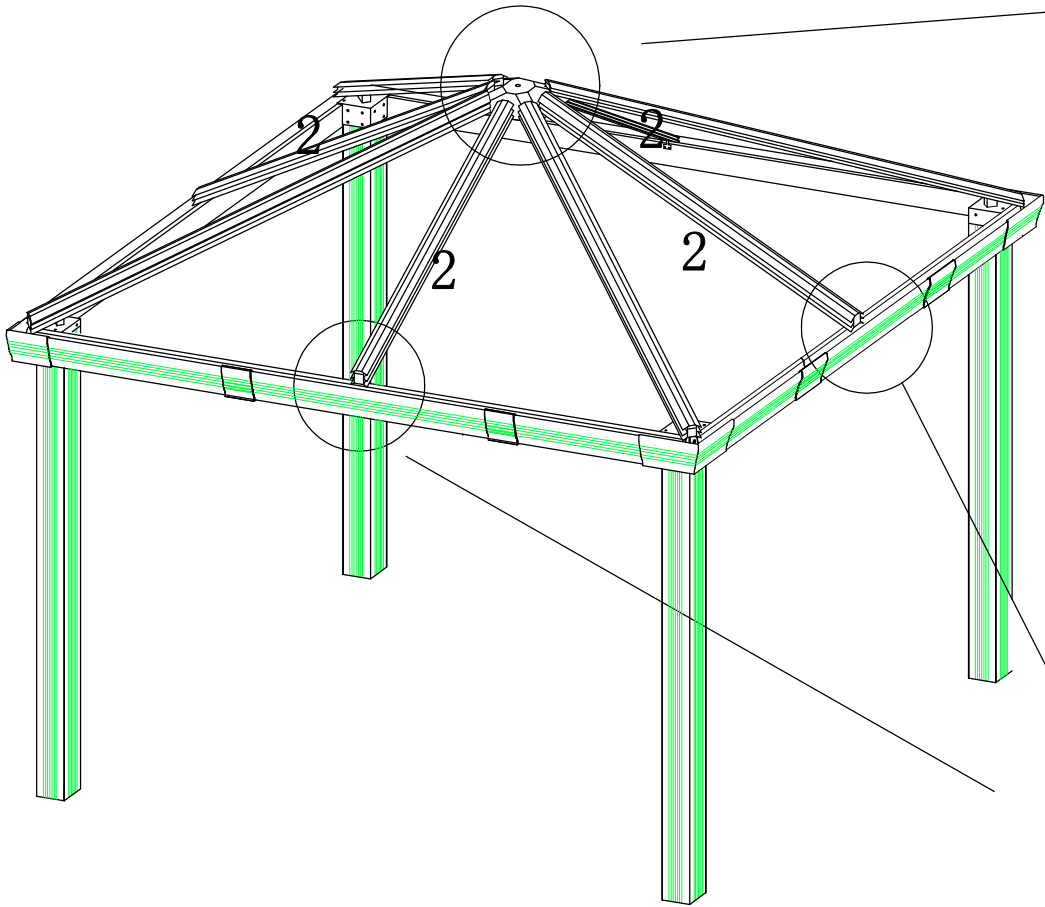





Y



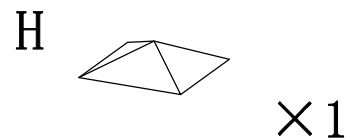
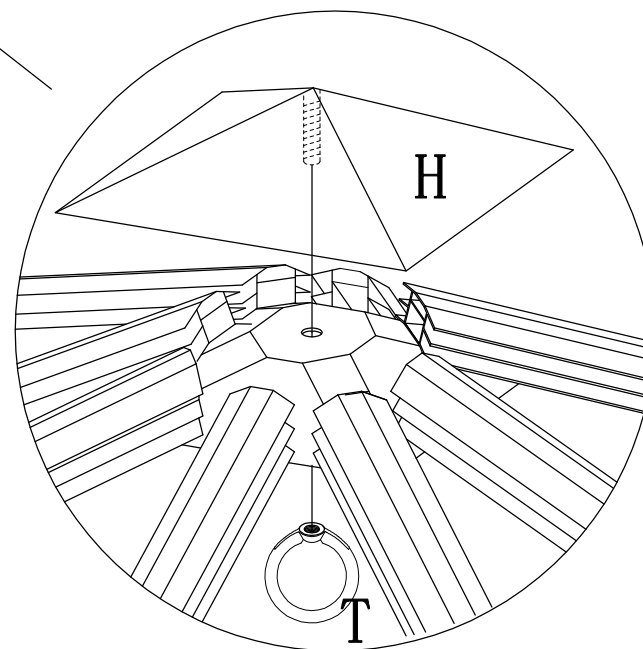
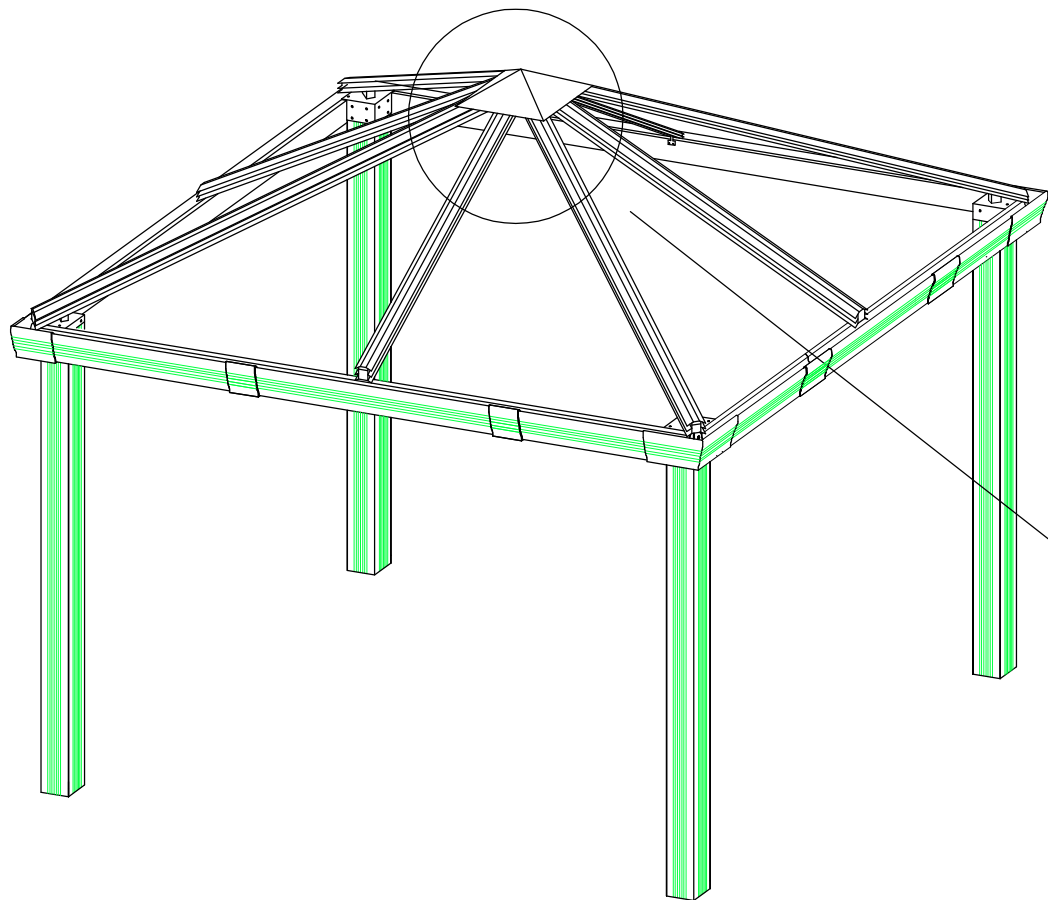
×4

7

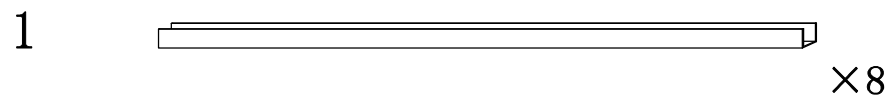
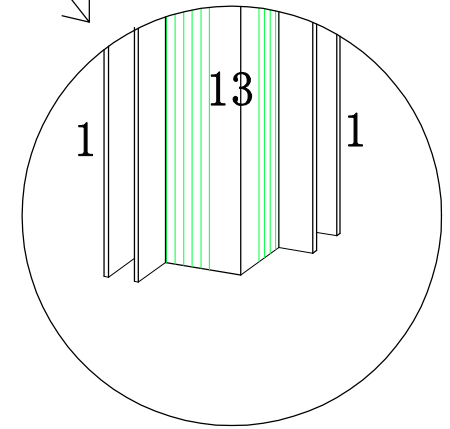
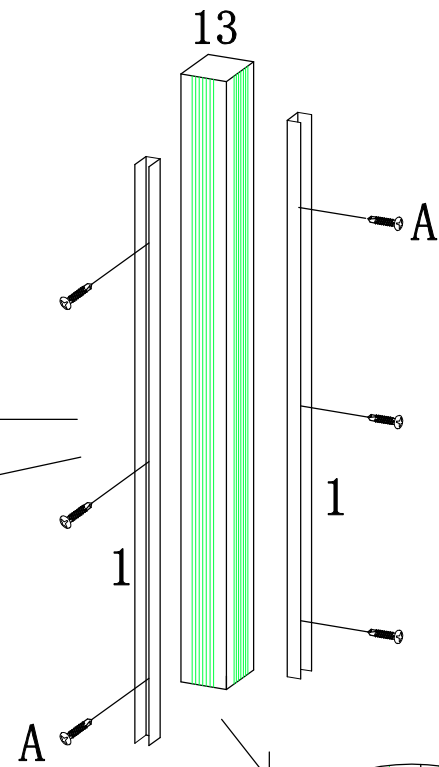
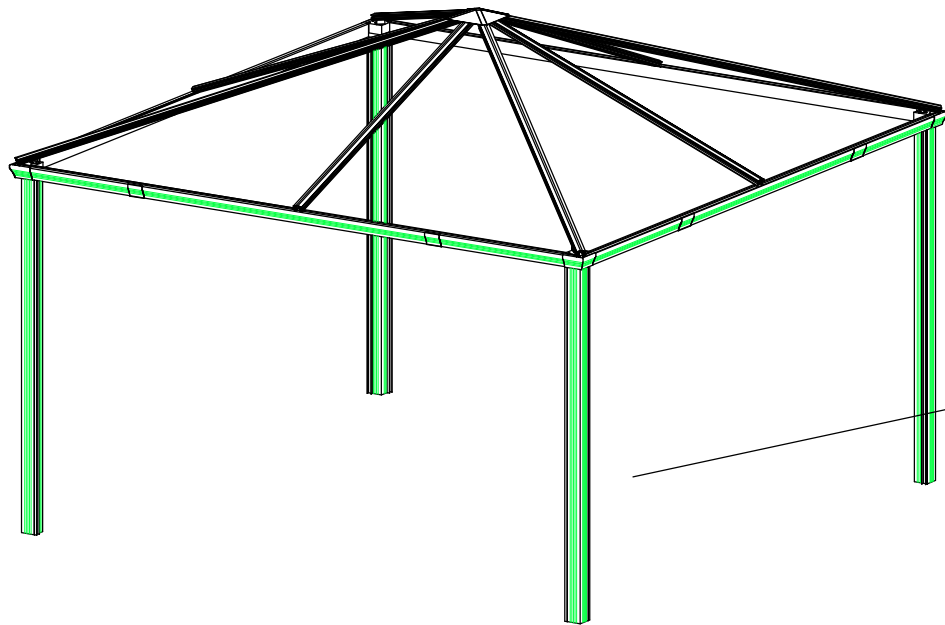


E  ×4	Y  ×20	10  ×4
--	---	---

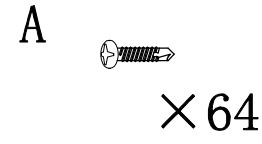
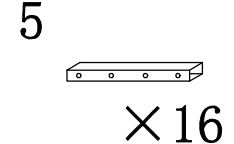
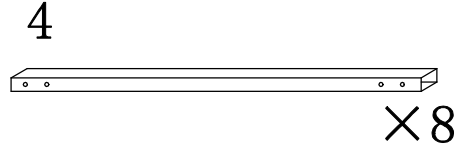
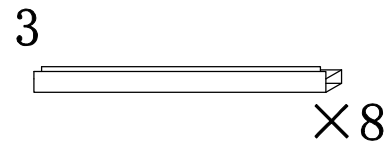
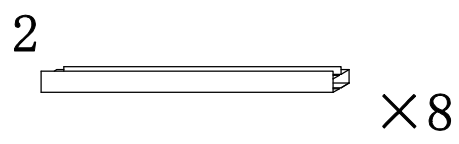
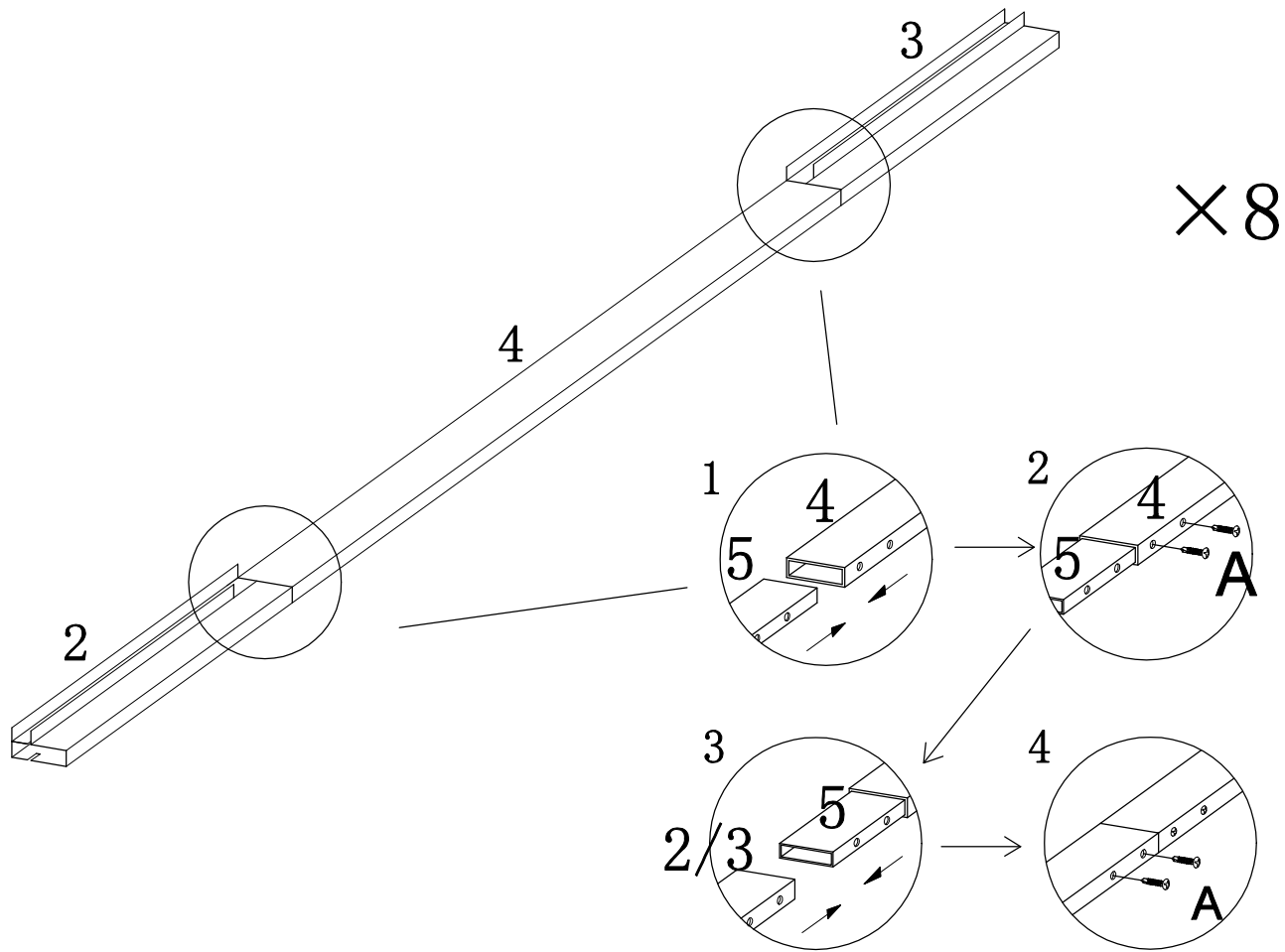
8



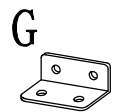
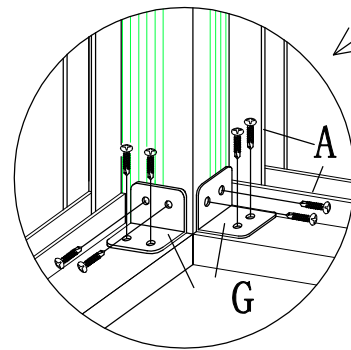
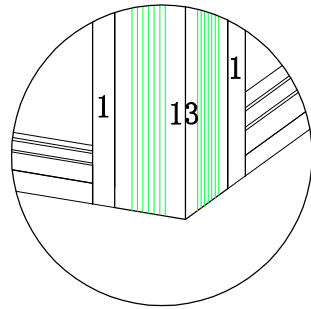
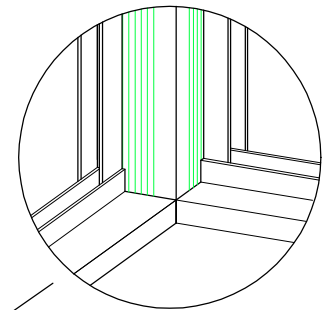
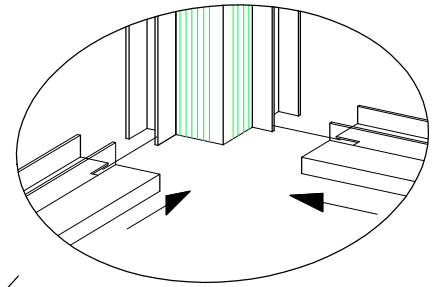
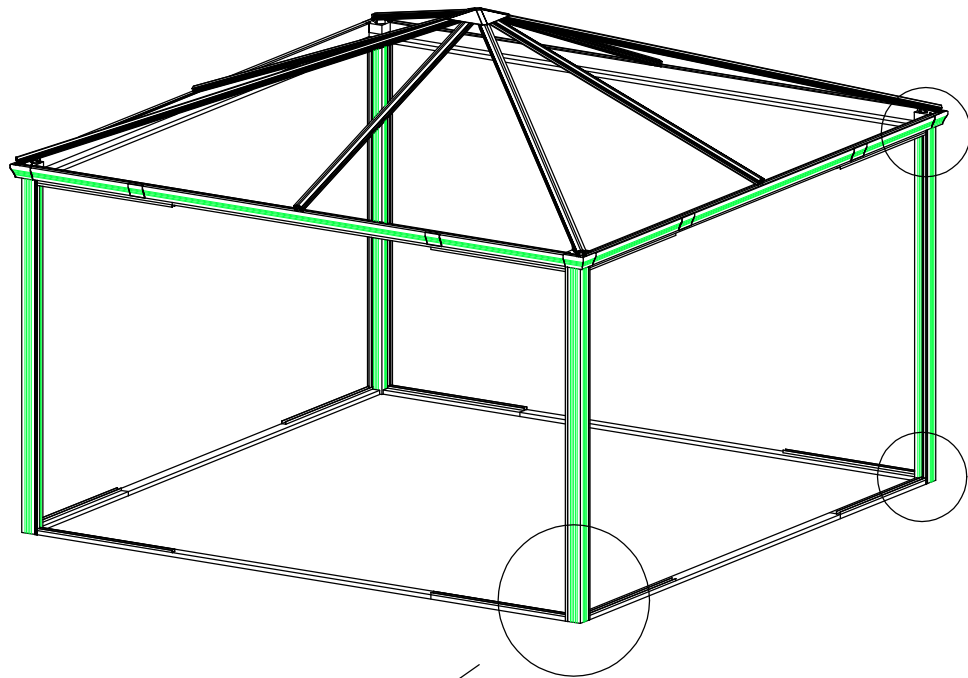
9



10



11



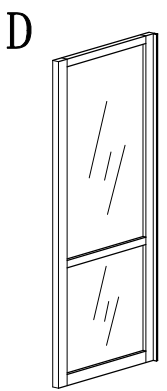
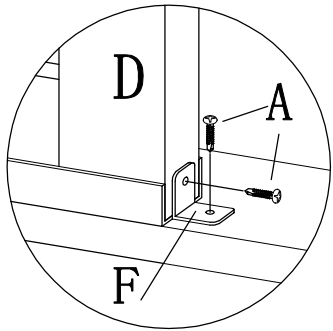
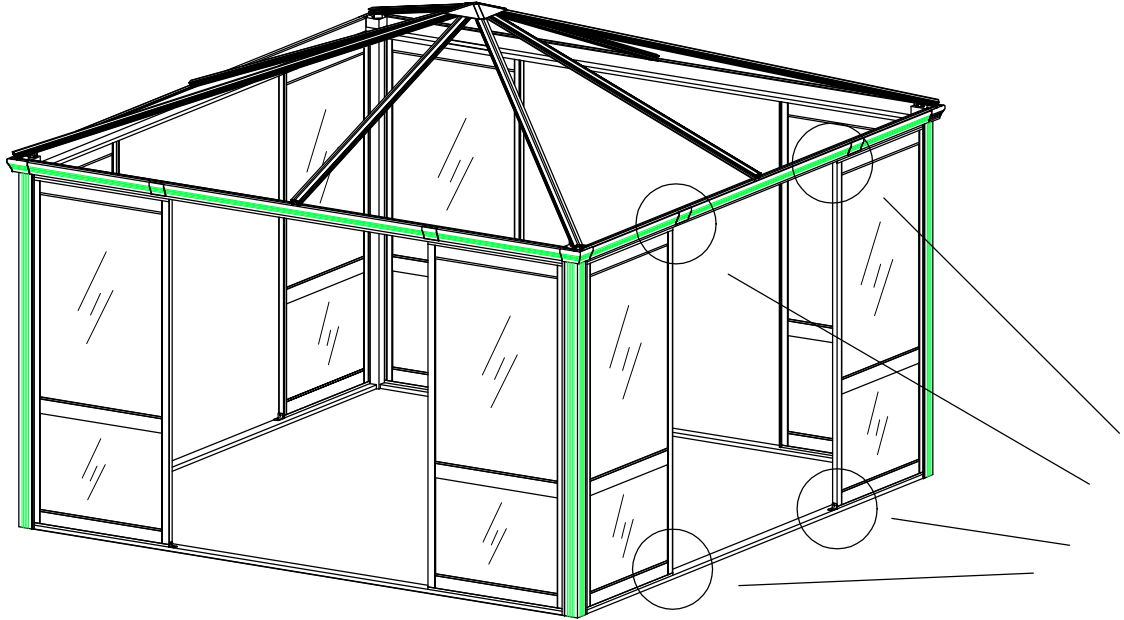
× 16

A

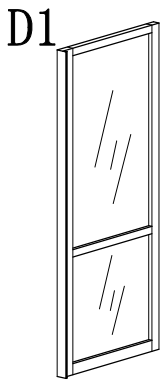


× 64

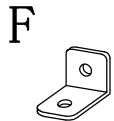
12



×4



×4



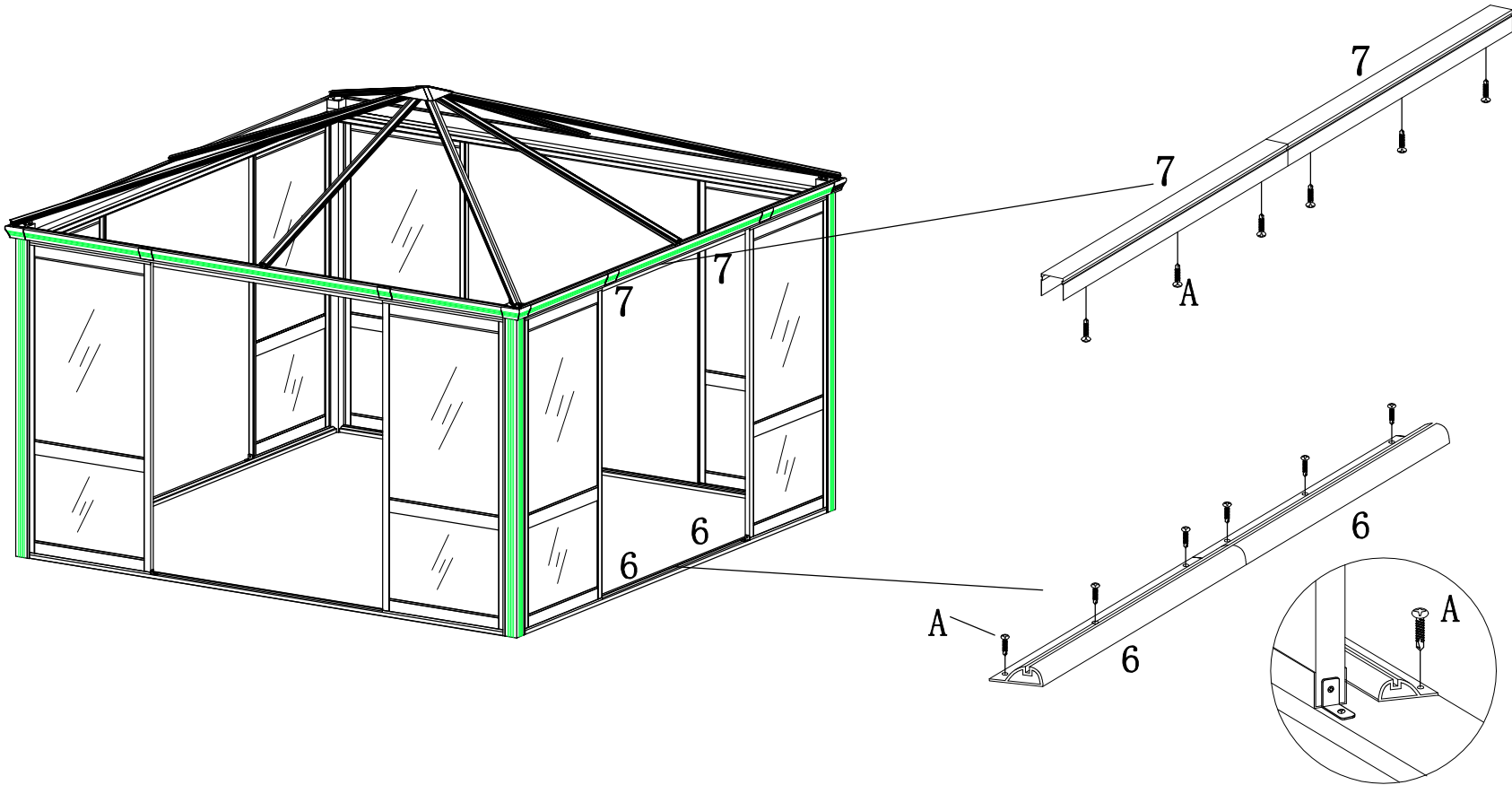
×16

A

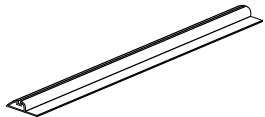


×32

13

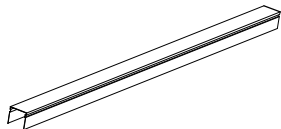


6



×8

7



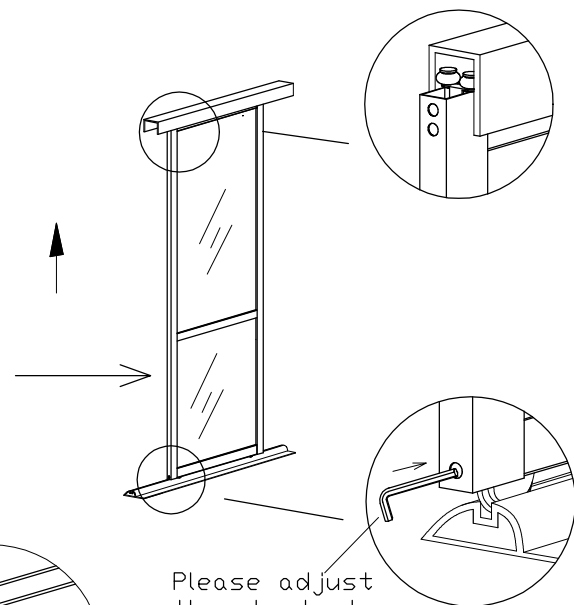
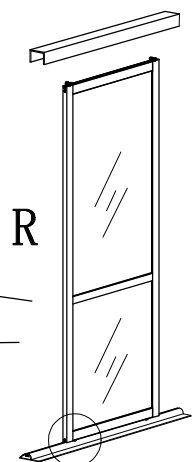
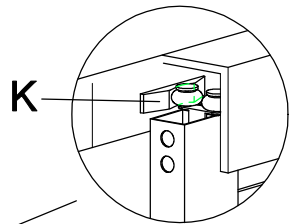
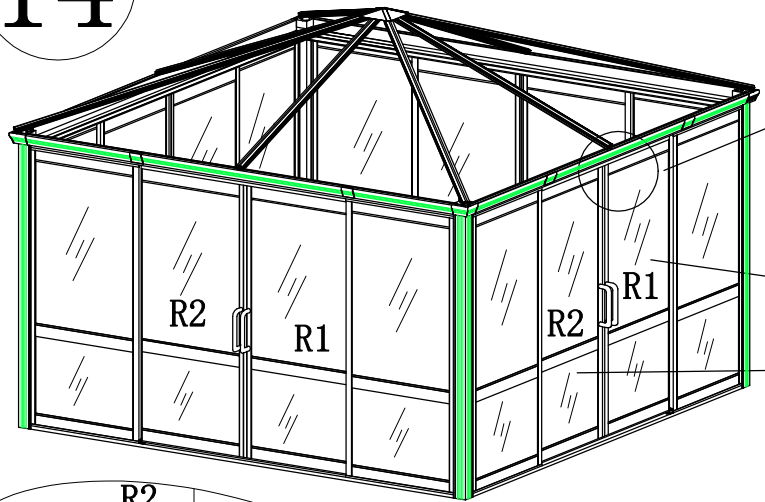
×8

A

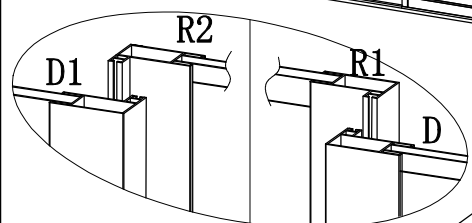
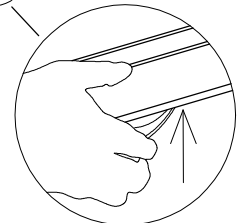


×48

14

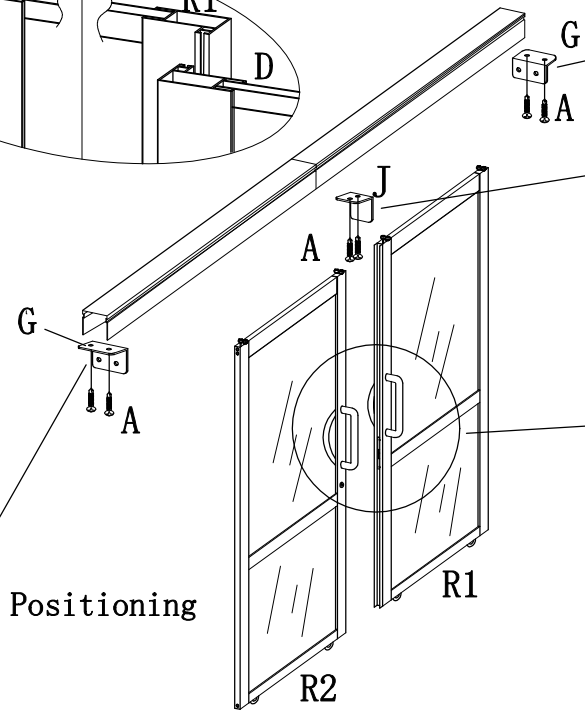


Please adjust the wheels to keep the door in a straight position.

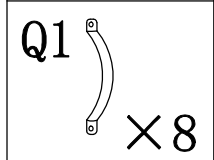
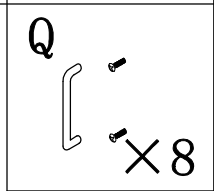
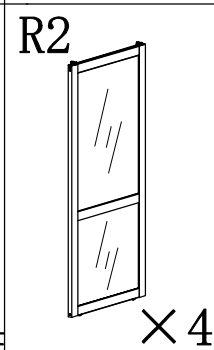
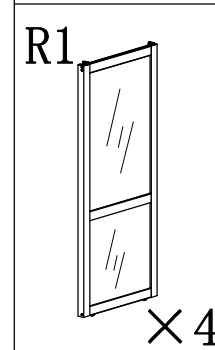
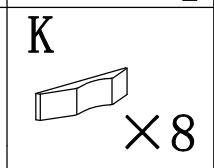
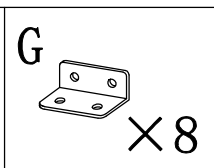
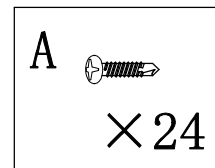
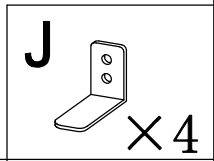
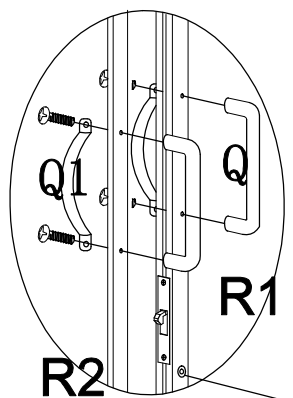


Terminal Positioning

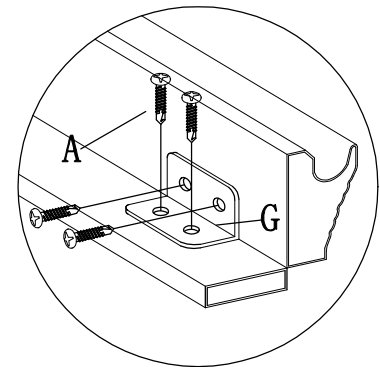
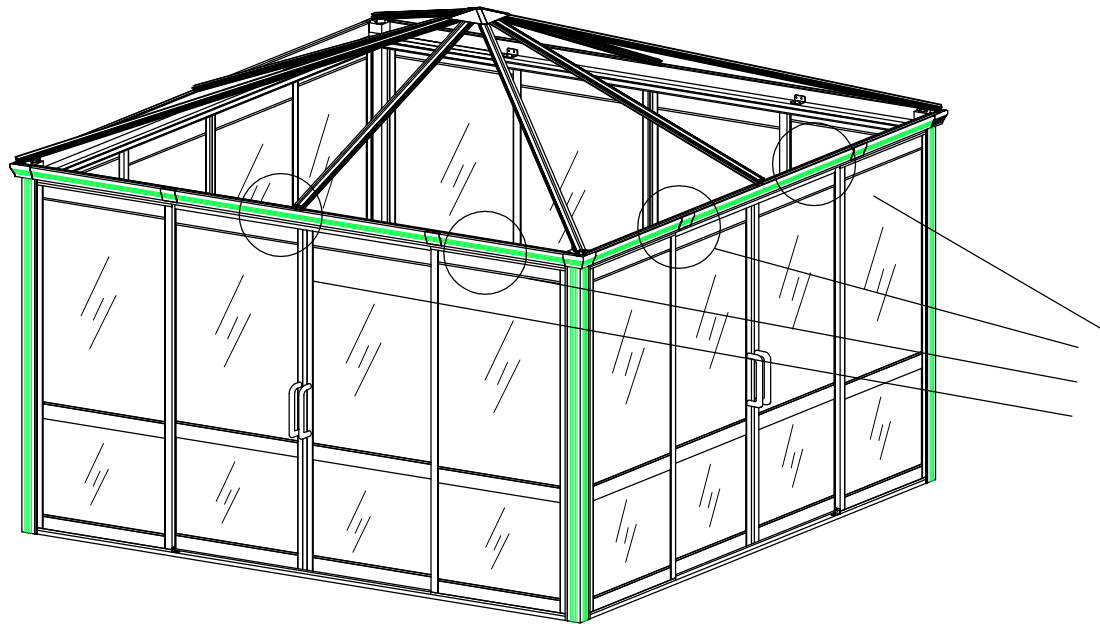
Centralized Positioning



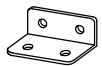
Terminal Positioning



15



G



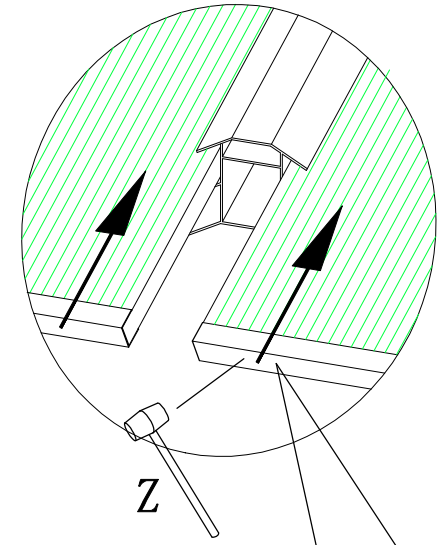
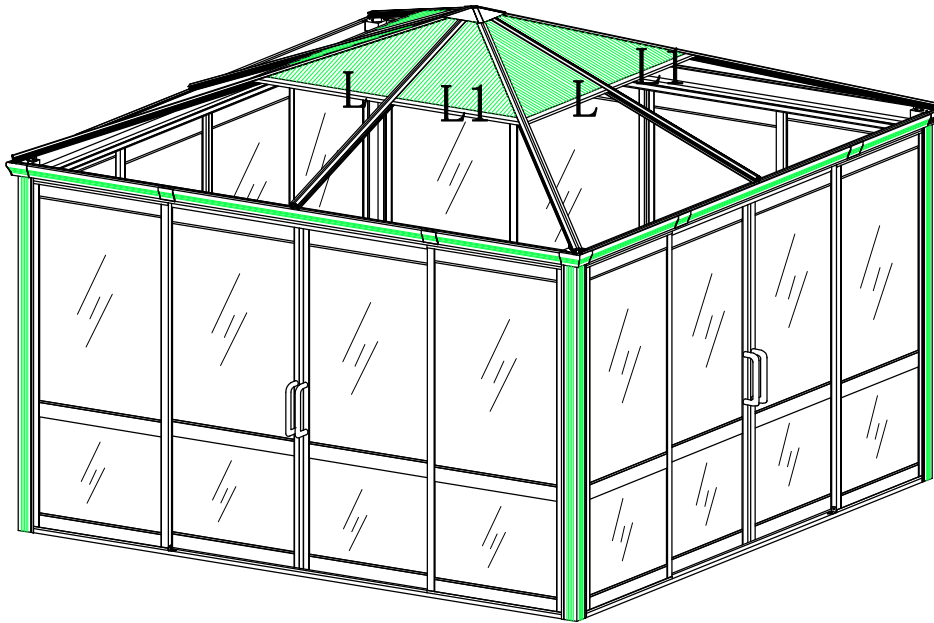
× 8

A

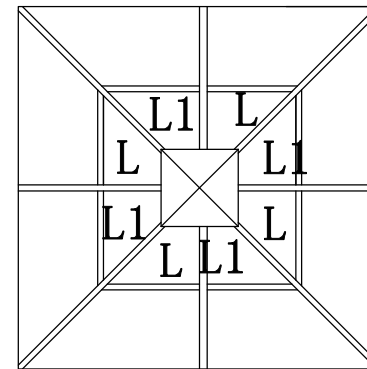
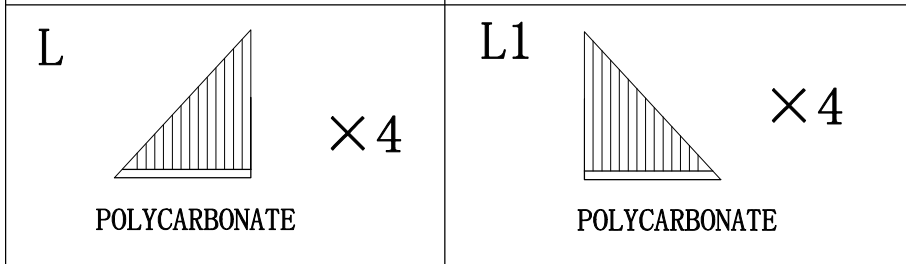
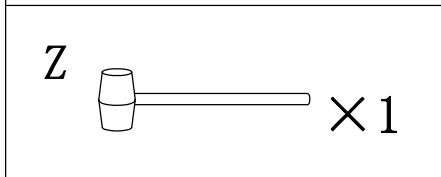


× 32

16

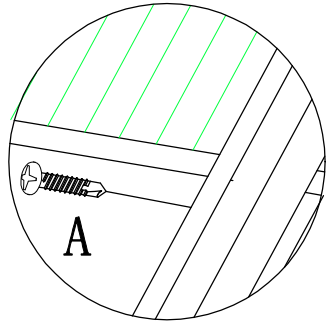


Take down the aluminium edge of the polycarbonate sheet first, put it on again after installing the polycarbonate sheet

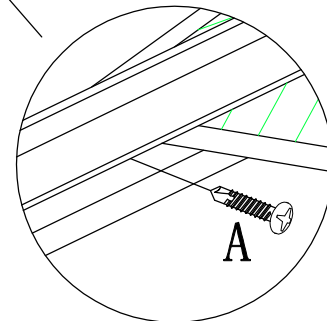
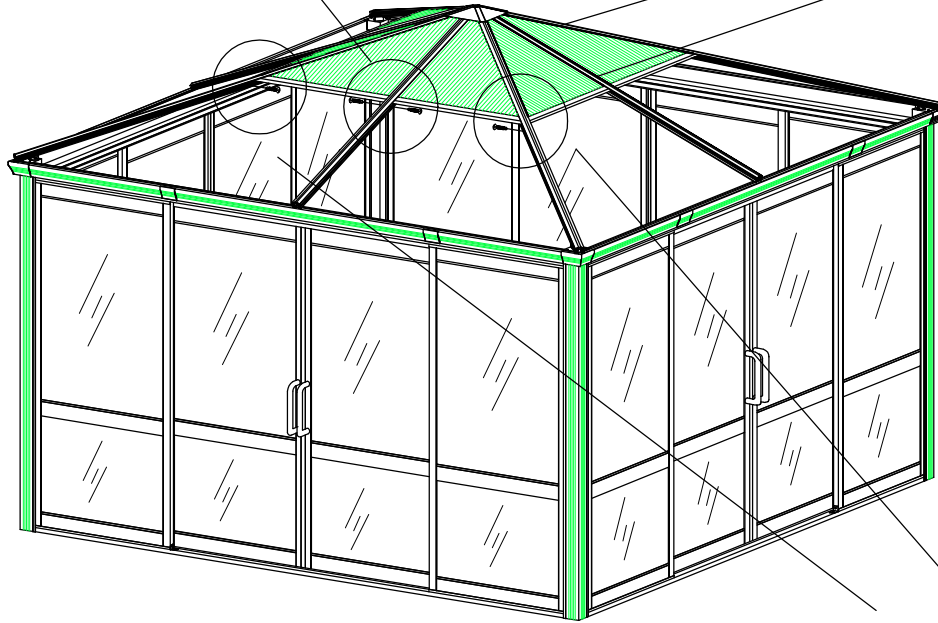


POLYCARBONATE

17



17



17

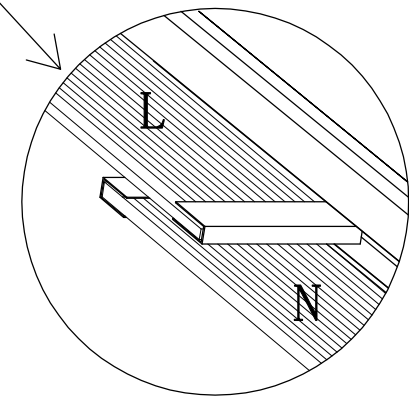
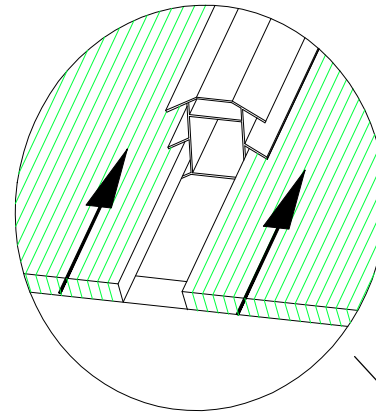
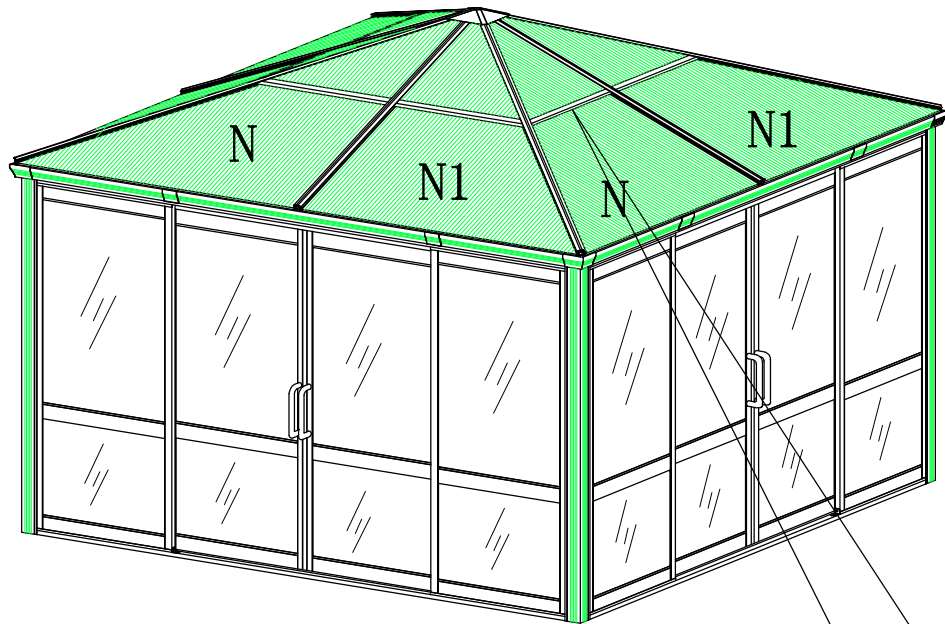


A

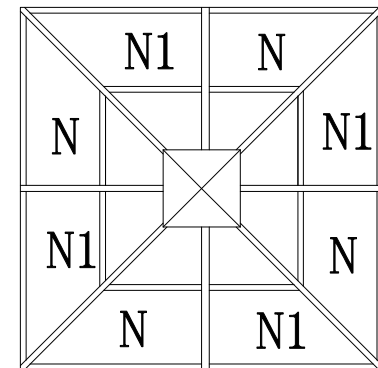


× 16

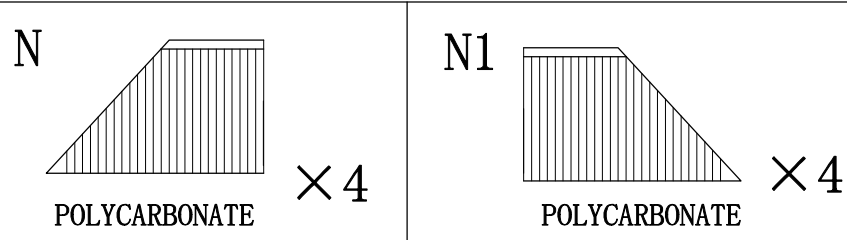
18



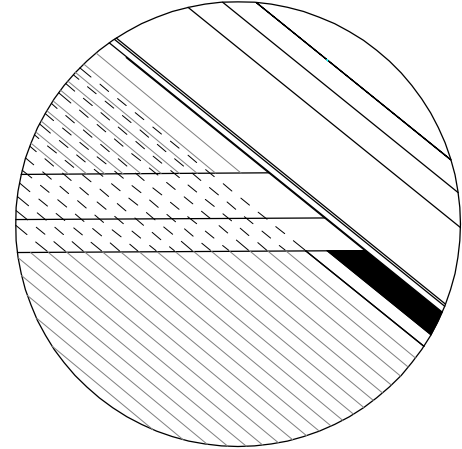
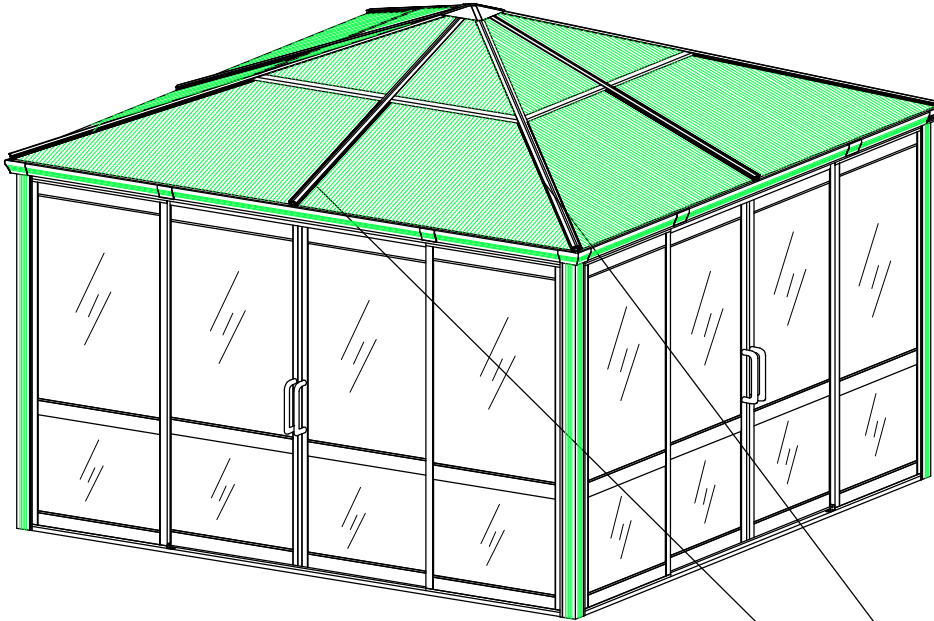
Take down the aluminium edge of the polycarbonate sheet first, put it on again after installing the polycarbonate sheet



POLYCARBONATE



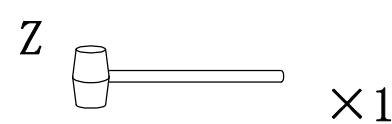
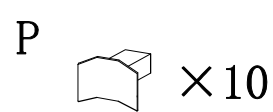
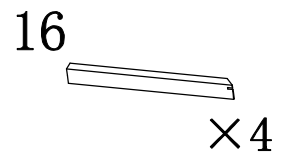
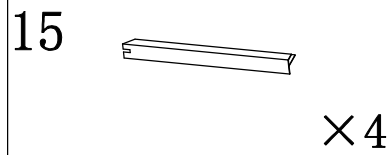
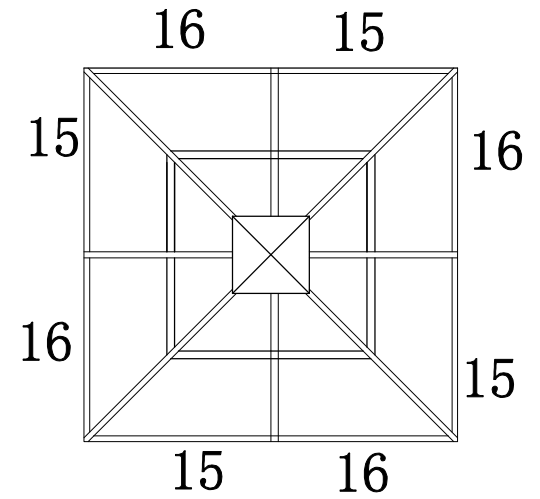
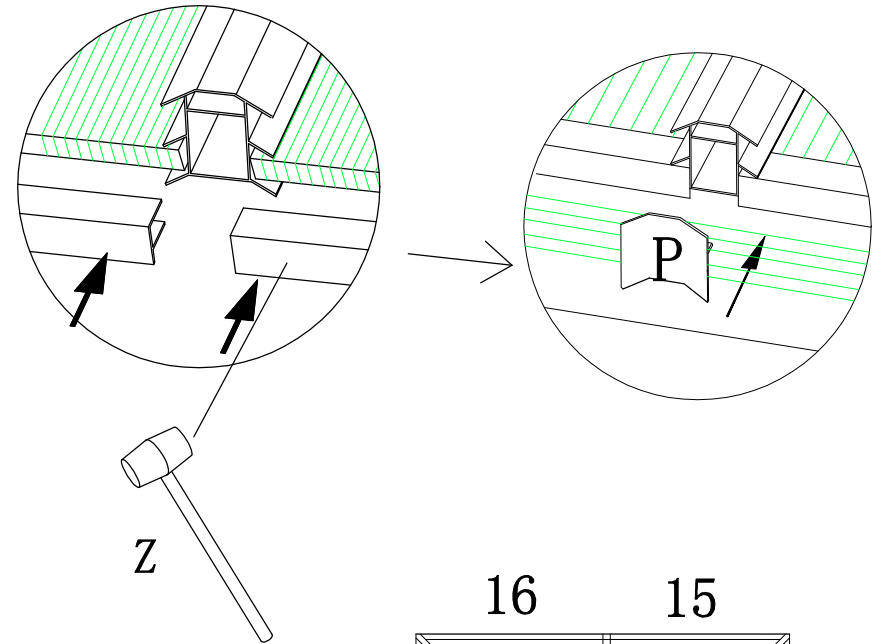
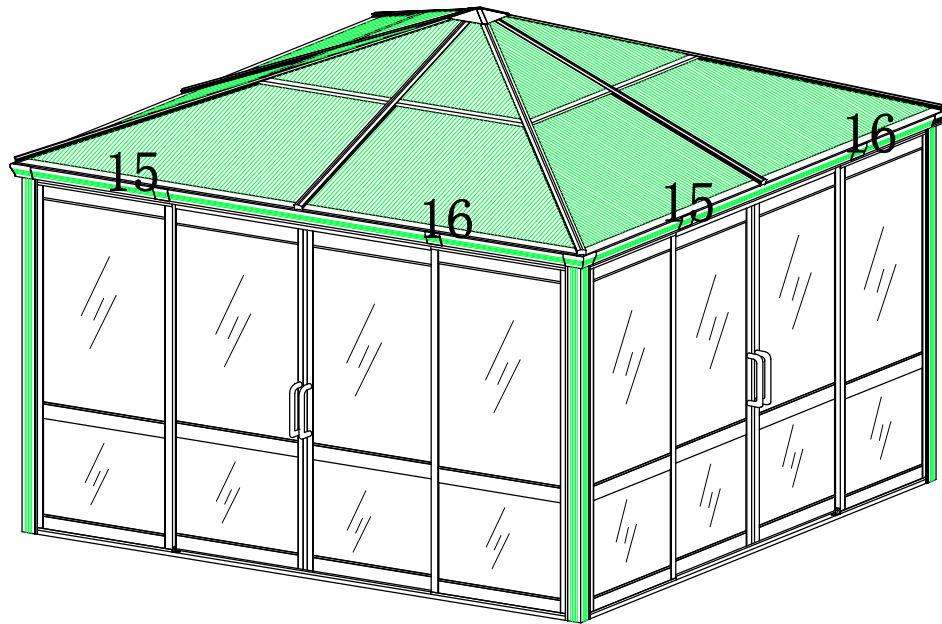
19



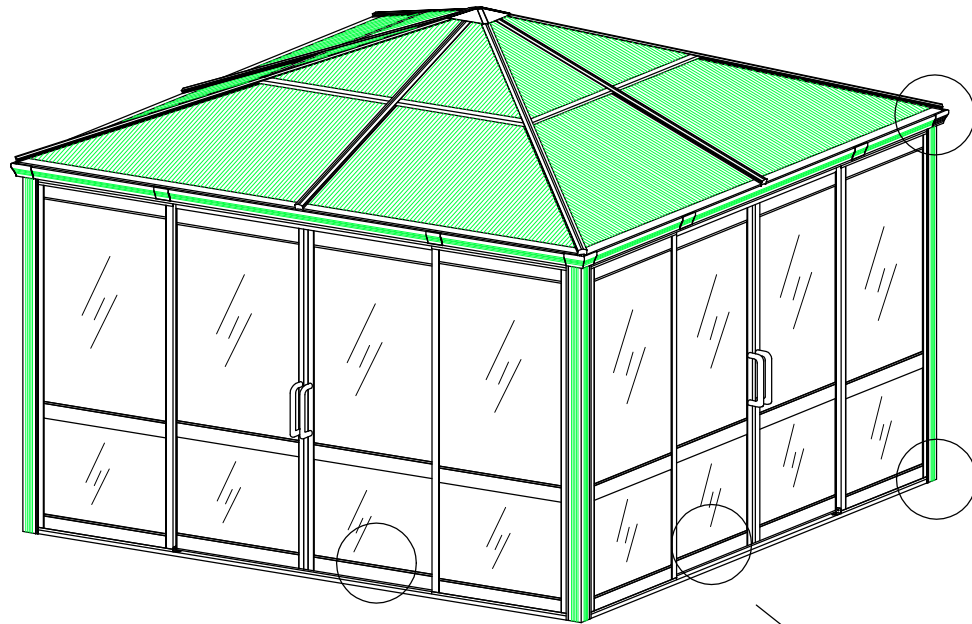
17



20



21



17



18

