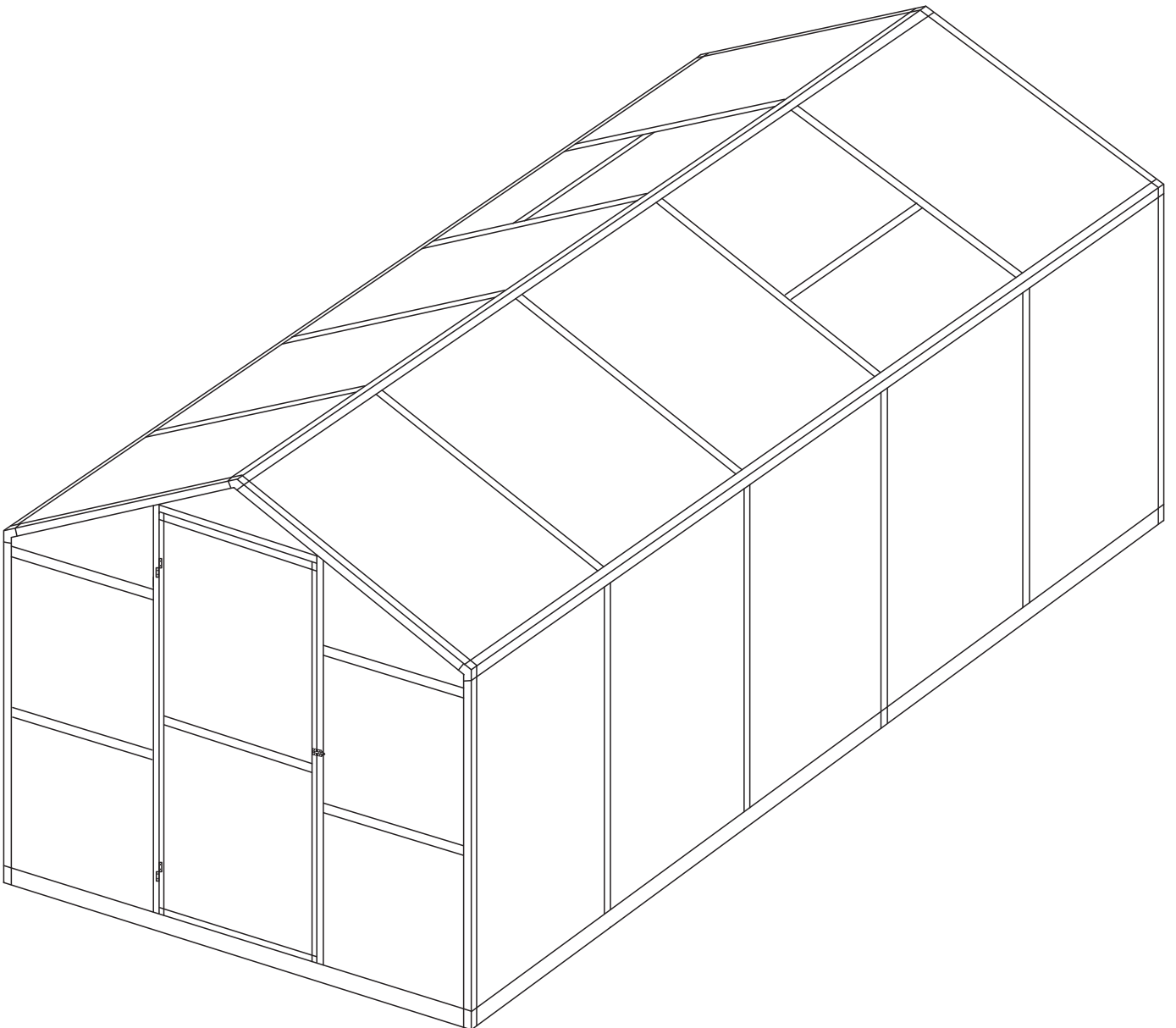
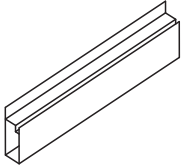
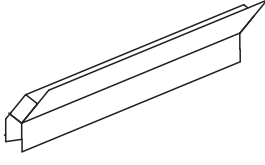
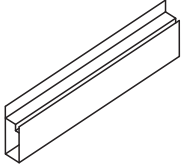
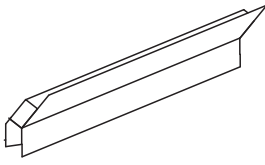
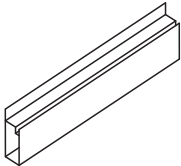
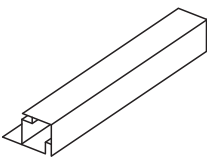
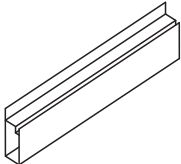
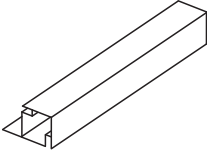
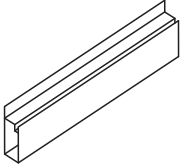
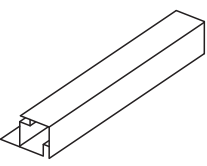
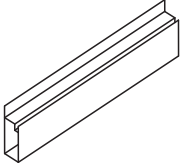
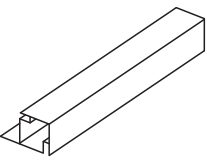
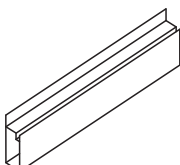
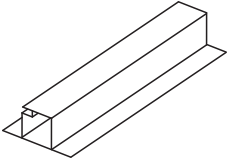
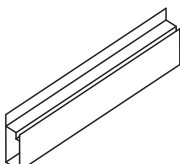
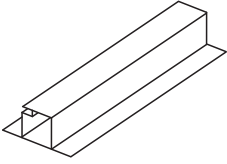
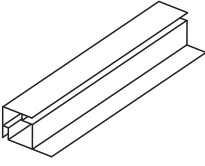
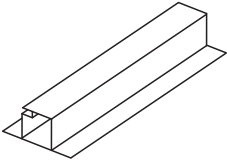
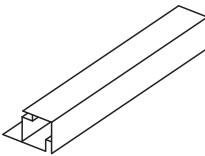
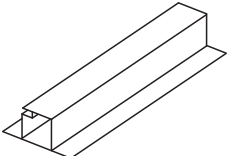


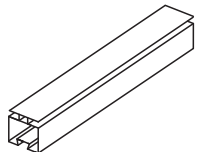
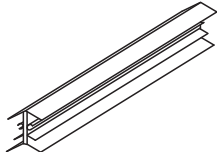
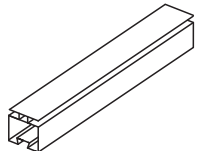
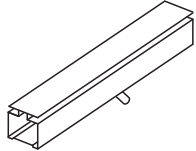
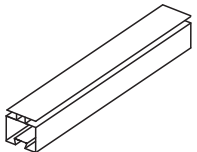
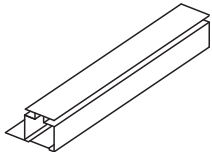
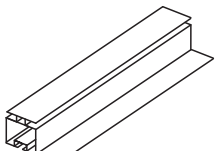
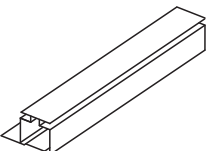
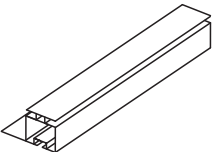
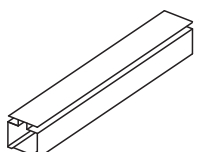
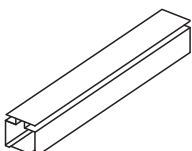
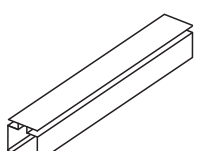
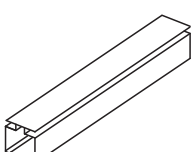

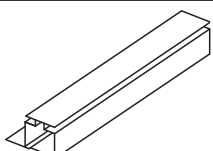
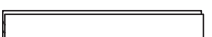
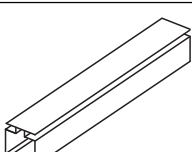
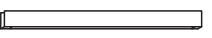
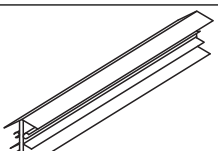
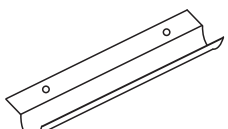
Aluminium Greenhouse
ASSEMBLY INSTRUCTIONS

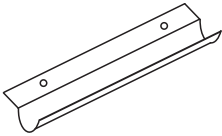
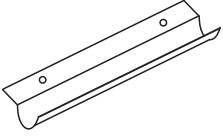
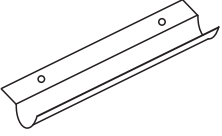


Please read all instructions carefully before assembly.
It is best to familiarize yourself with the parts and
collate the appropriate parts for each step.


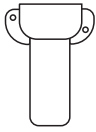
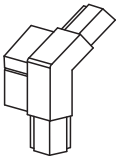
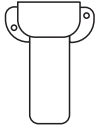
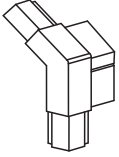

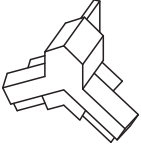

Aluminum Parts:

No.	Picture	Qty.	Size	No.	Picture	Qty.	Size
1A		1	180.3	6		2	180.3
1B		1	180.3	7		2	119.2
2A		1	119.2	8		1	130.2
2B		1	119.2	9		1	130.2
3A		1	116.1	10		1	130.2
3B		1	116.1	11		1	130.2
4A		1	116.1	12		1	164.3
4B		1	116.1	13		1	164.3
5A		2	113	14		1	165.8
5B		2	113	15		1	165.8

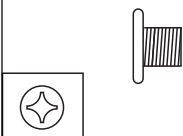

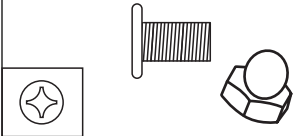

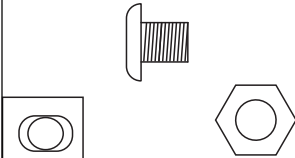
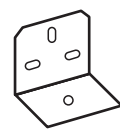
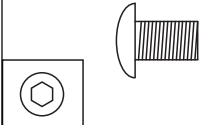
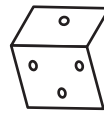
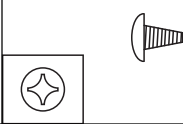
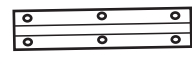
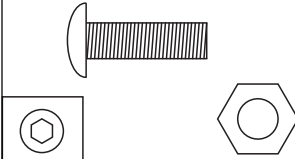
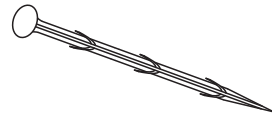
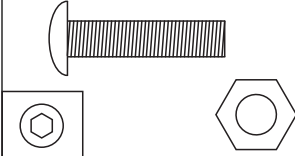
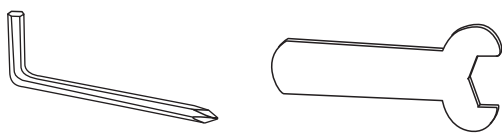
No.	Picture	Qty.	Size	No.	Picture	Qty.	Size
16		8	113	23B		1	120.6
17		2	131.5	24		2	57
17A		2	131.5	25		1	155
18A		2	131.5	26		1	155
18B		2	131.5	27		2	56.3
19		2	91.9	28		1	56.3
20		2	85	30A		2	60
21		1	63	30B		2	60
22		1	57	30C		4	60.4
23A		1	181.7	31A		1	181.7

No.	Picture	Qty.	Size	No.	Picture	Qty.	Size
31B		1	181.7	31D		1	120.8
31C		1	120.8				

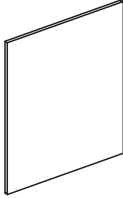
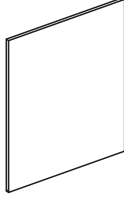
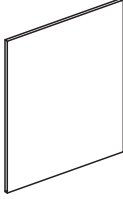
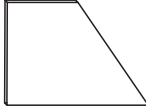
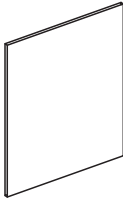
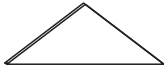
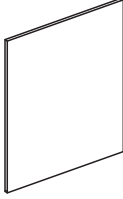
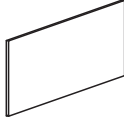
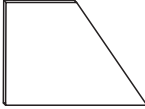
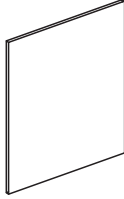
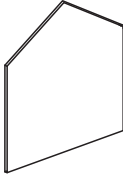
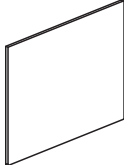
Plastic Parts:

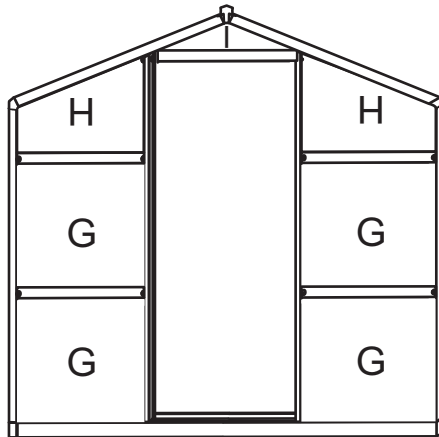
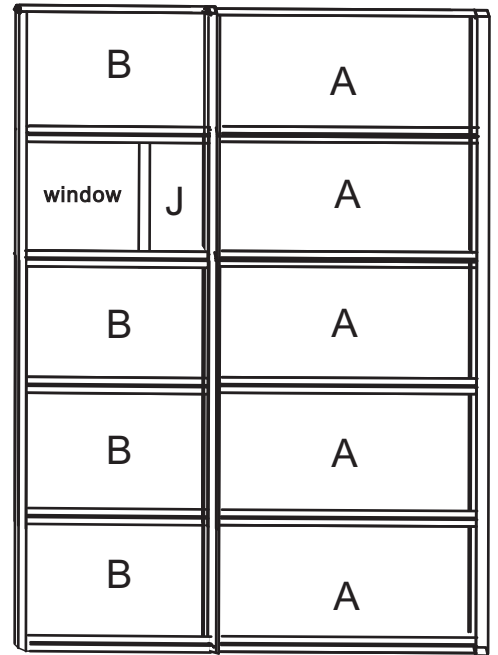
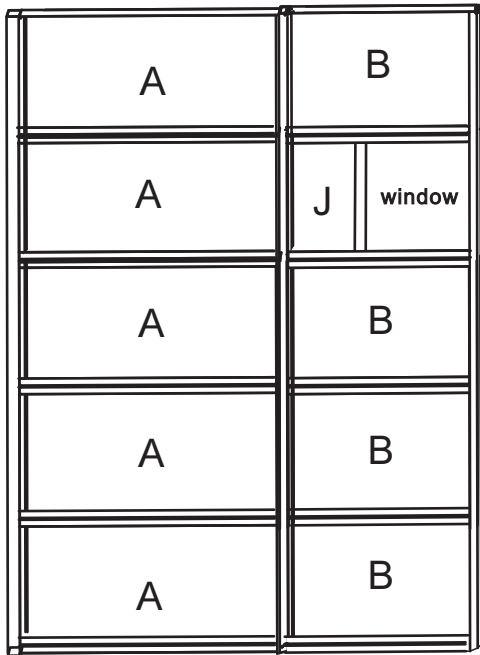
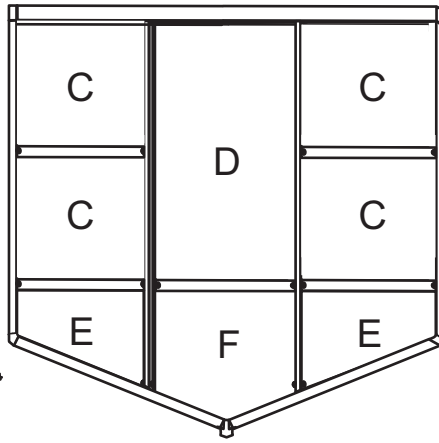
No.	Picture	Qty.	Size	No.	Picture	Qty.	Size
32		4		35A		2	
33A		2		35B		2	
33B		2		38		2	
34		2		39		2	

Hardware :

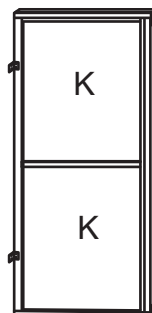
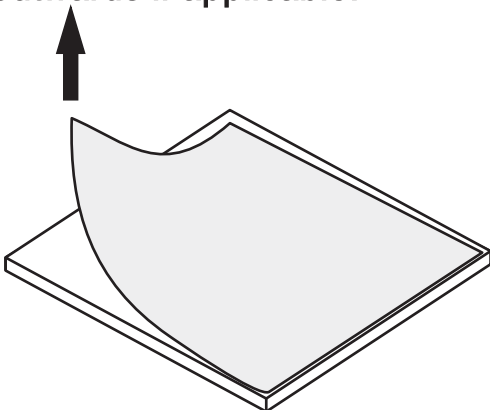
No.	Picture	Qty.	Size	No.	Picture	Qty.	Size
37		4	M6*7	46		7	26.6
40		8	M4*12	47		4	100
41		38	M6*9	48		2	
42		92	M6*12	49		2	
43		8	M4*8	50		1	
44		4	M6*26	51		2	
45		6	M6*35				

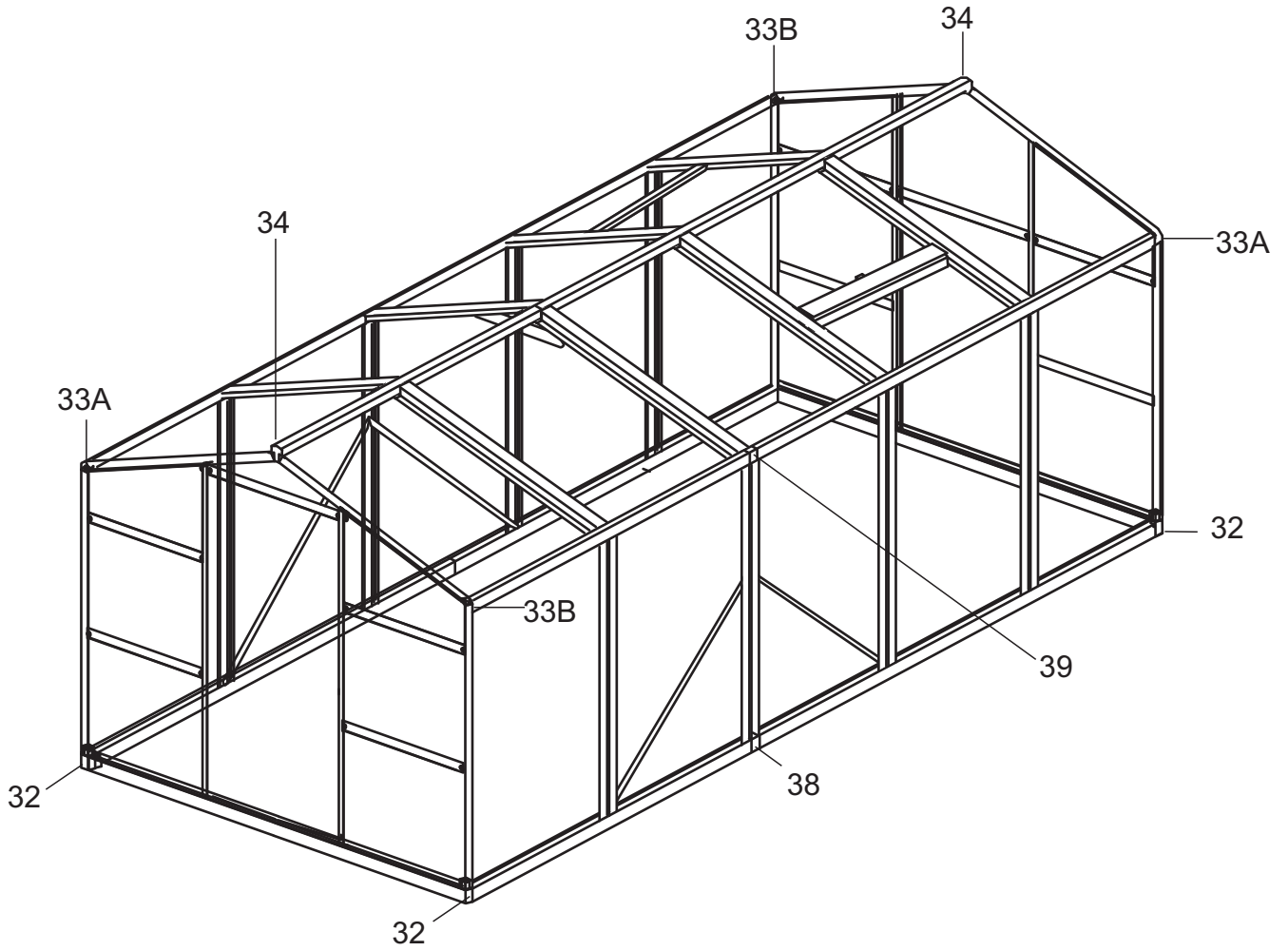
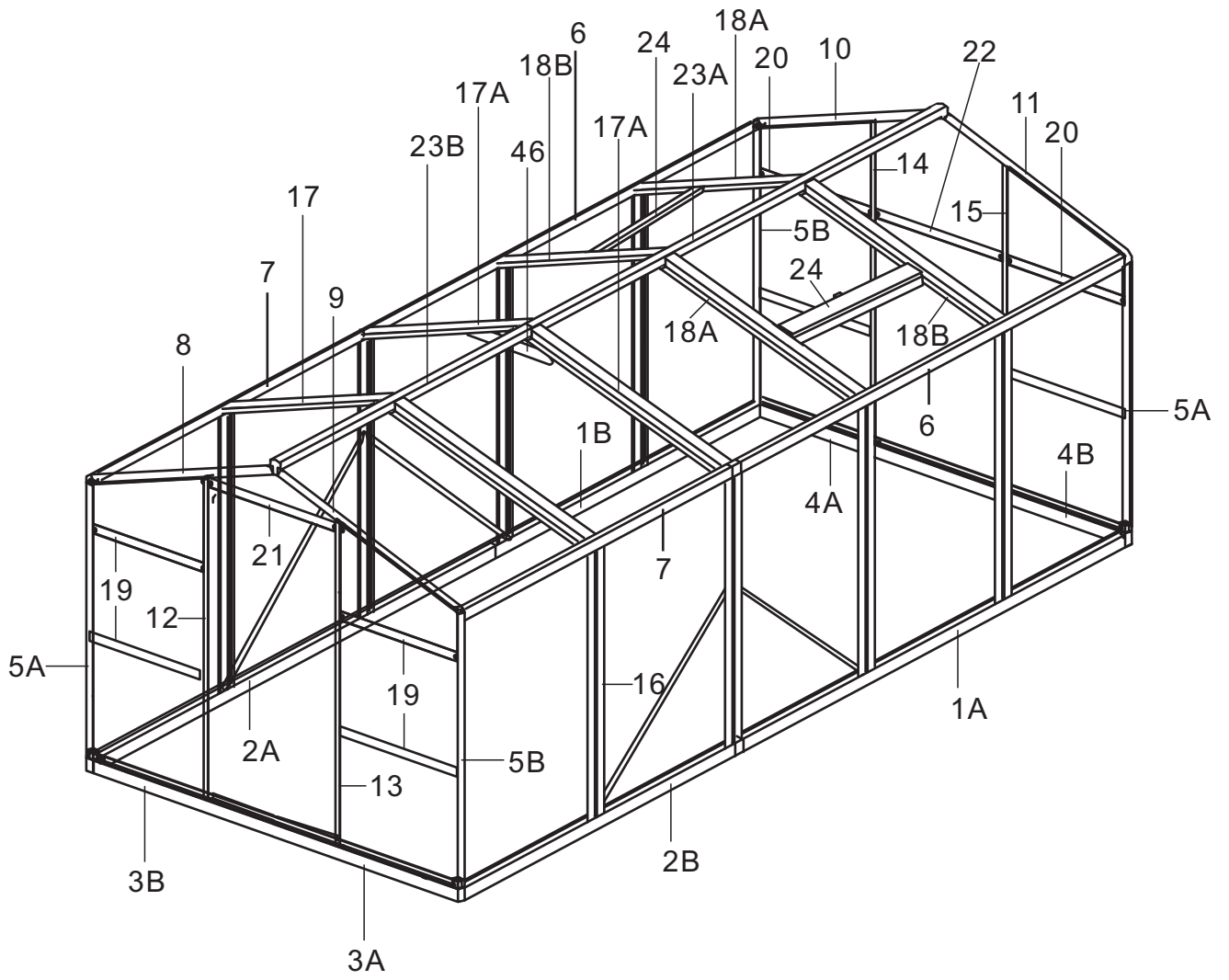
Twin PC Board:

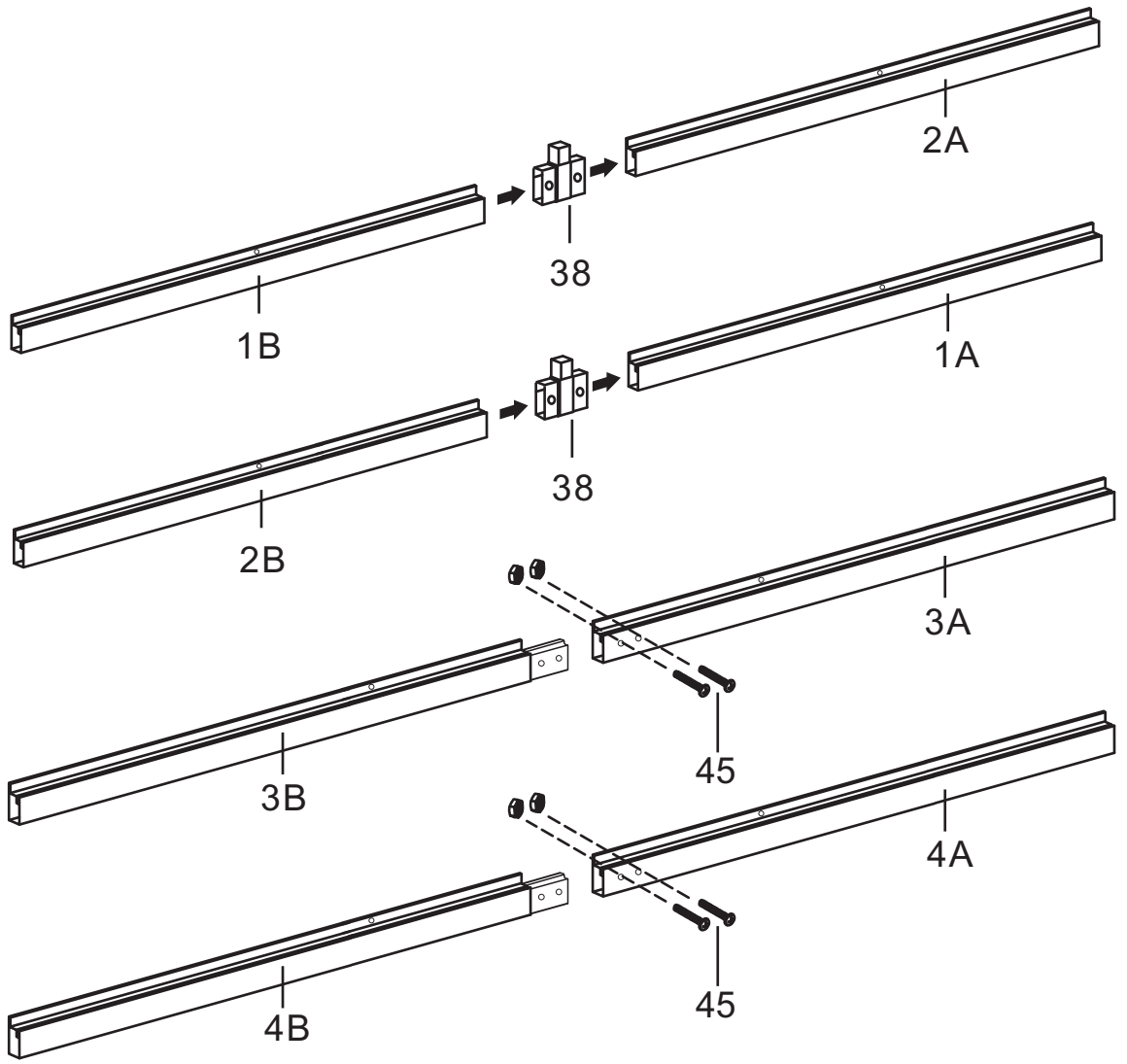
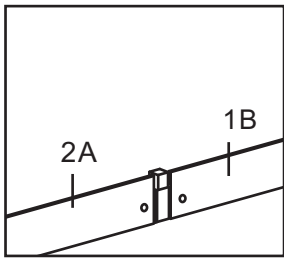
No.	Picture	Qty.	Size	No.	Picture	Qty.	Size
A		10	117*58.8	G		4	55.6*83.7
B		8	133.5*58.8	H		2	52.1*83.2
C		4	55.6*86.8	I		1	19.7*63
D		1	111.9*58.8	J		2	71.5*58.8
E		2	53.2*86.5	K		2	78*57.9
F		1	70.5*58.8	L		2	57*60



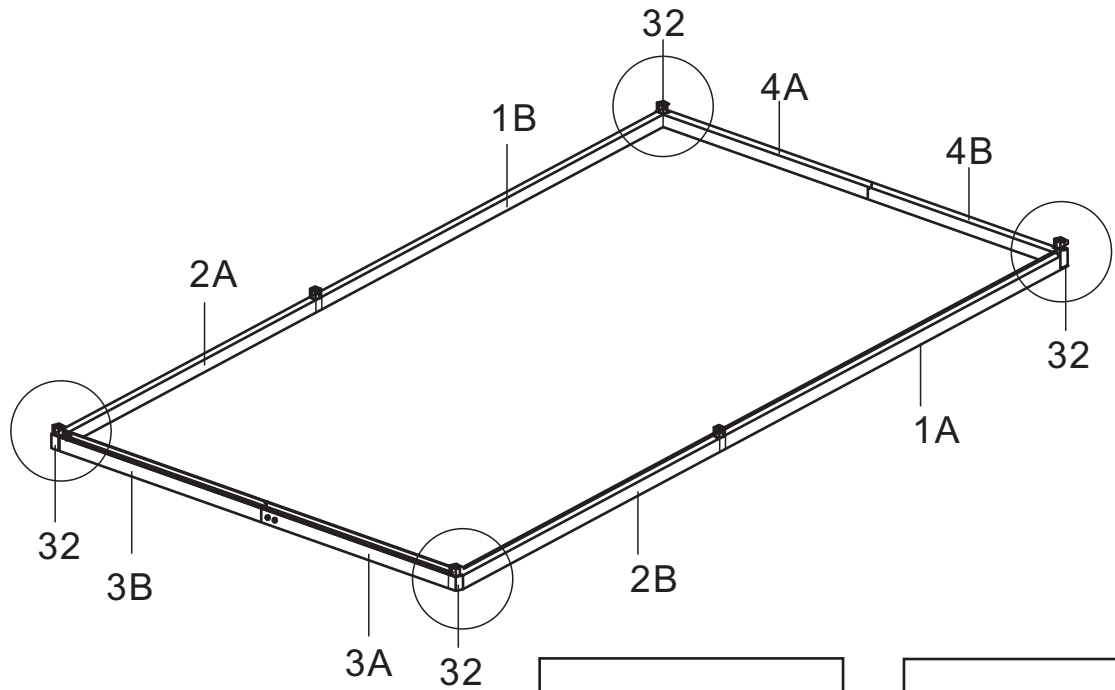
The white film faces outwards if applicable.



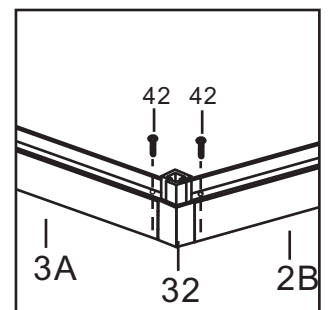
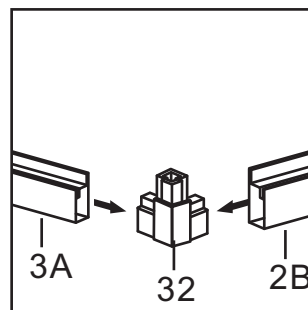


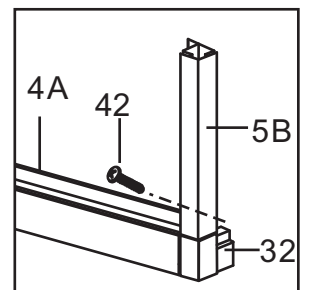
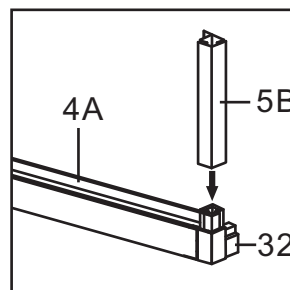
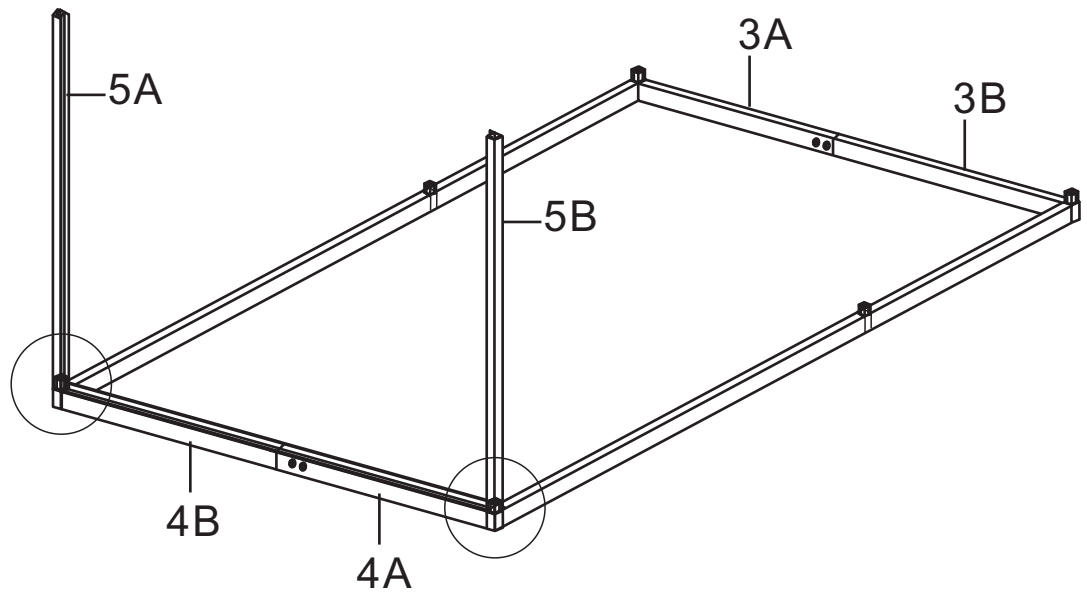
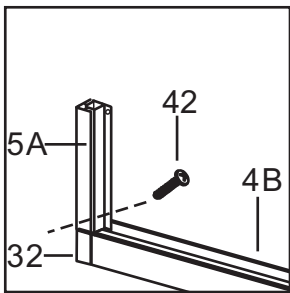
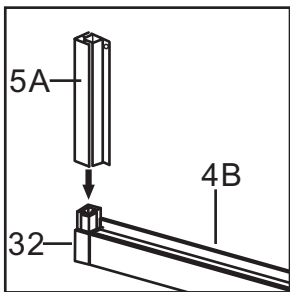
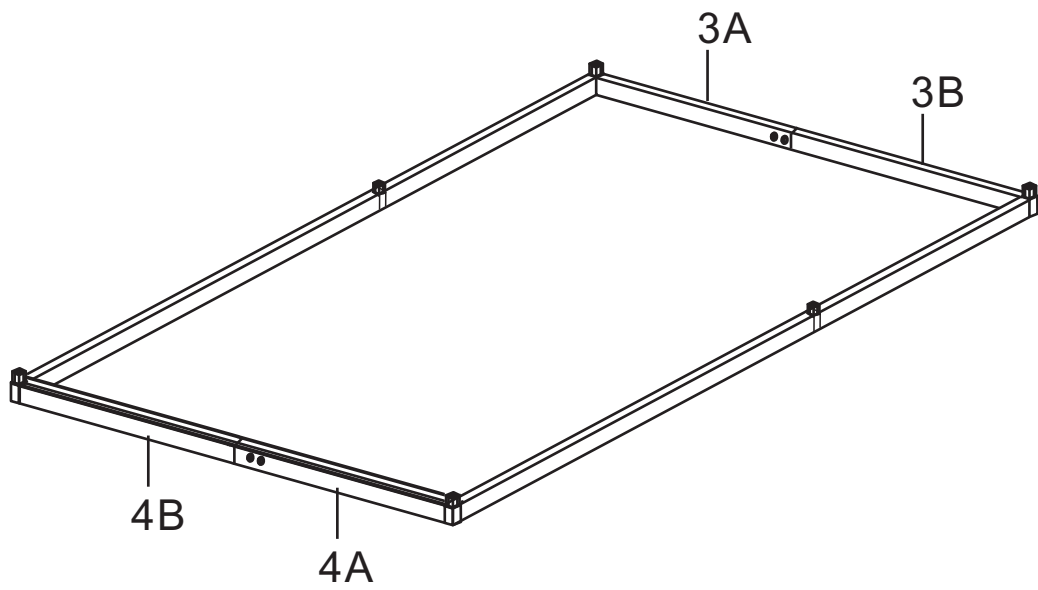


Picture	NO.	Qty.
	1A	1
	1B	1
	2A	1
	2B	1
	3A	1
	3B	1
	4A	1
	4B	1
	38	2
	45	4

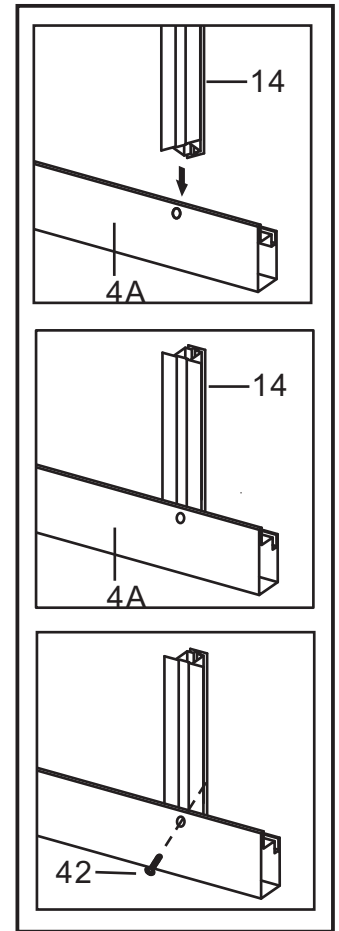
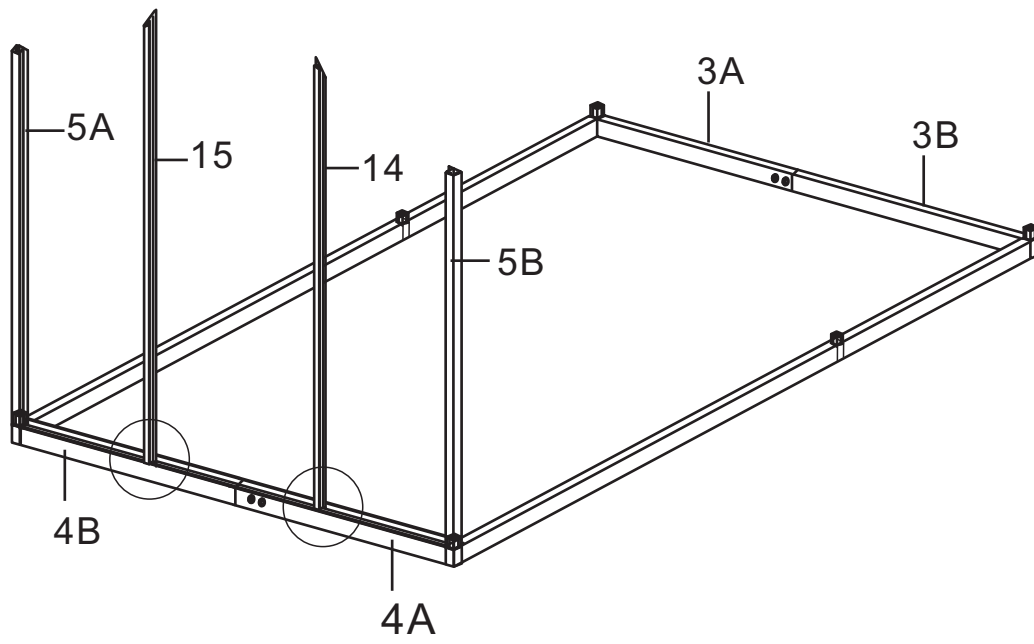


Picture	NO.	Qty.
	32	4
	42	8

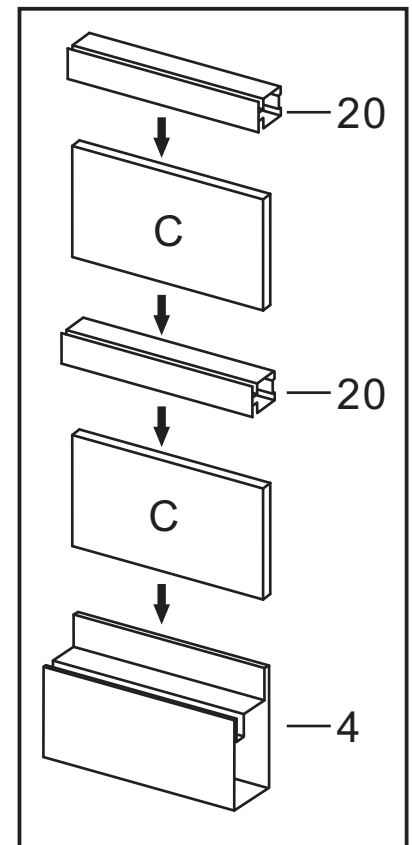
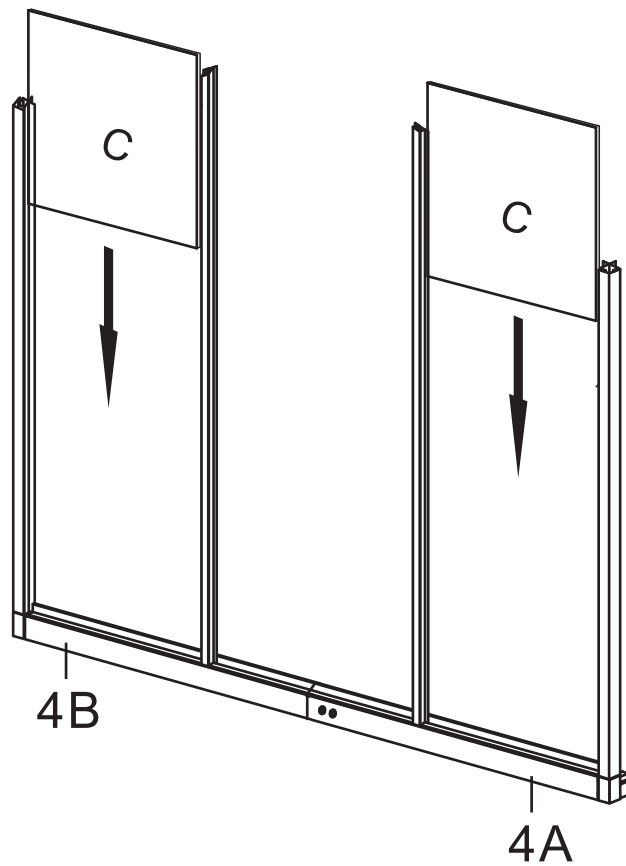




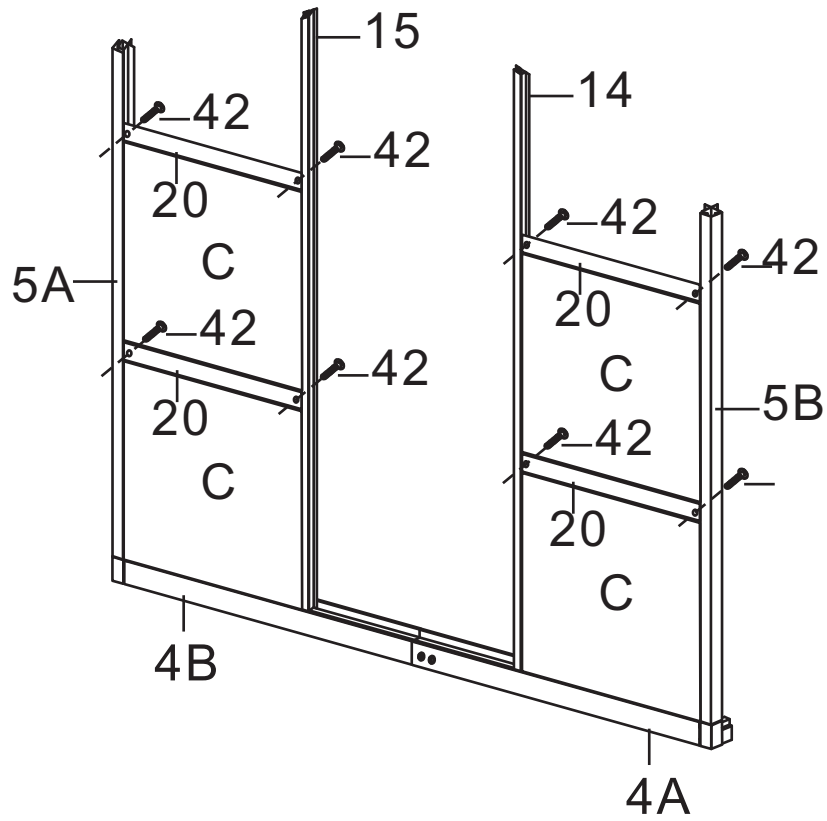
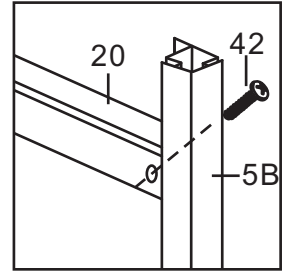
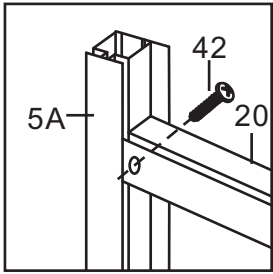
Picture	NO.	Qty.
	5A	1
	5B	1
	42	2



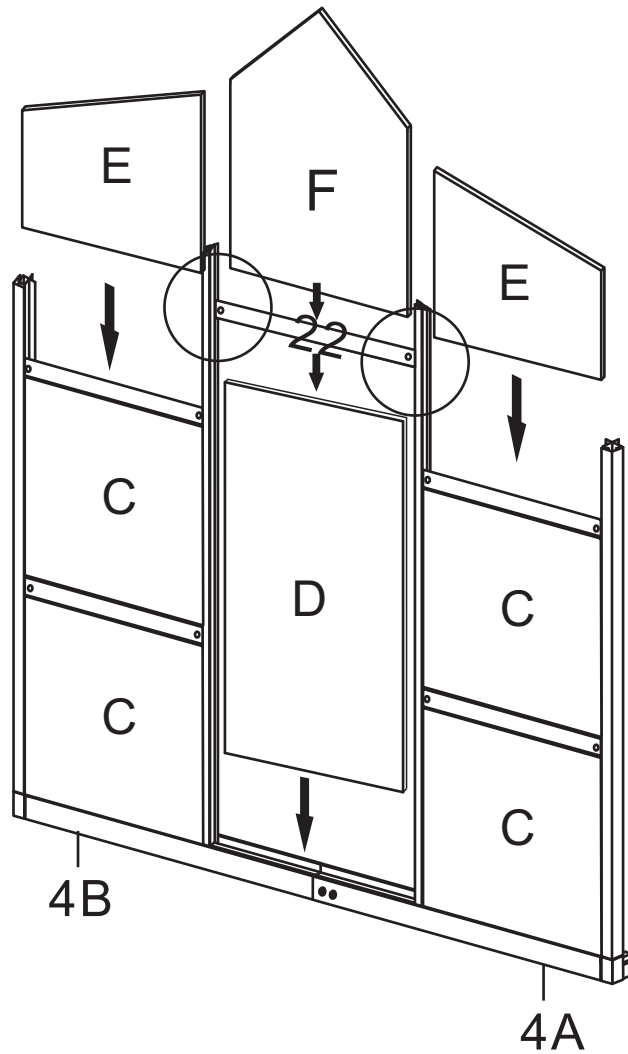
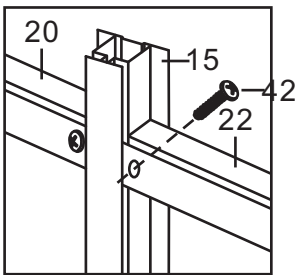
Picture	NO.	Qty.
	14 15	1
	42	2



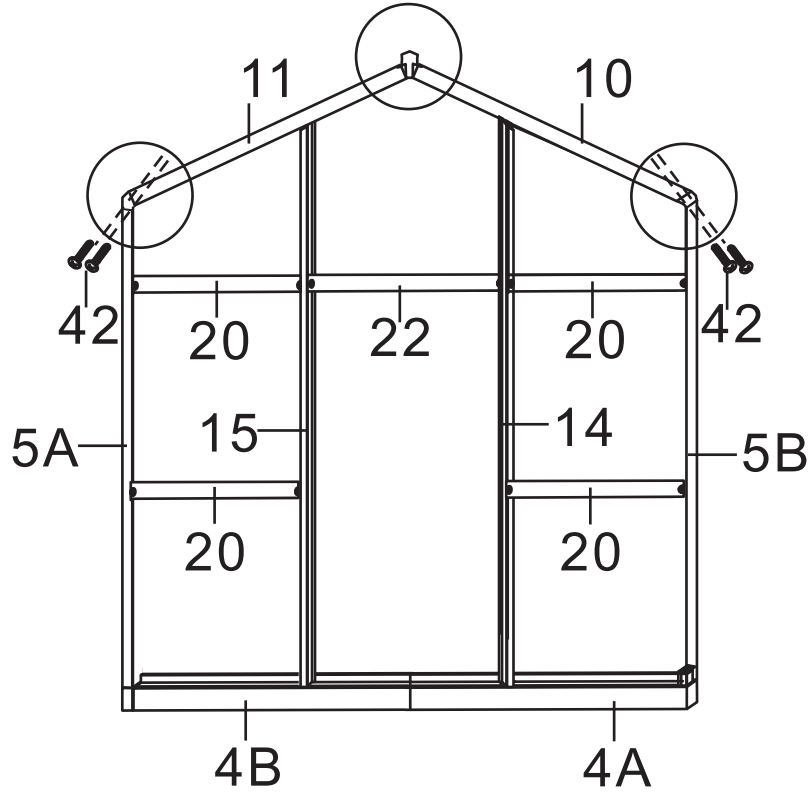
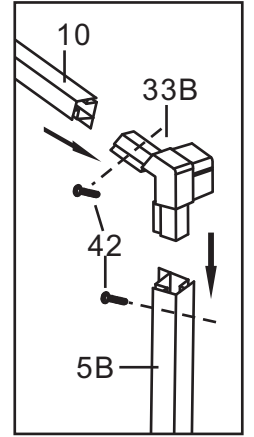
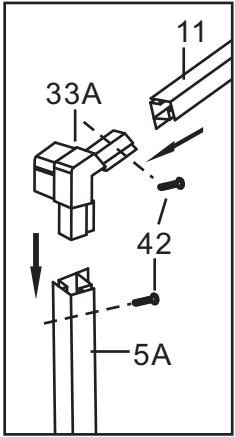
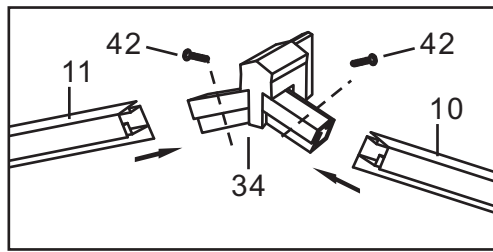
Picture	NO.	Qty.
	C	4
	20	4



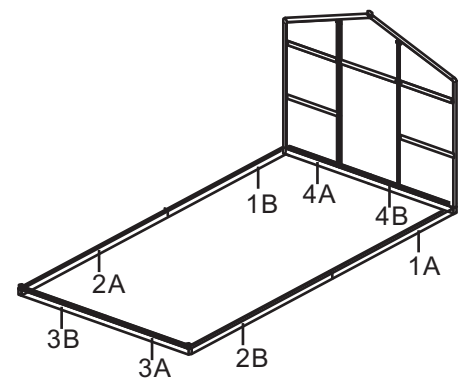
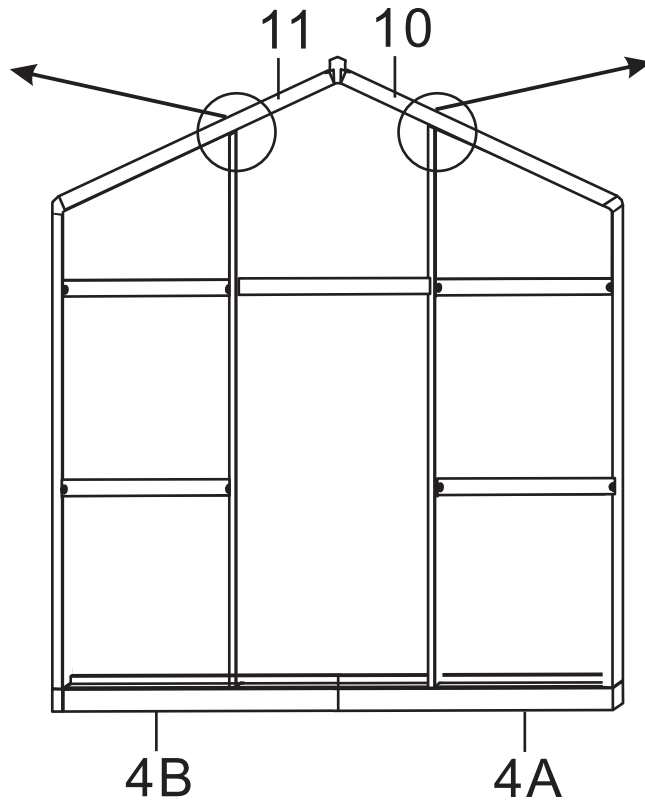
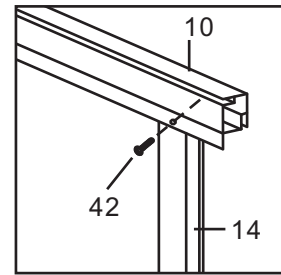
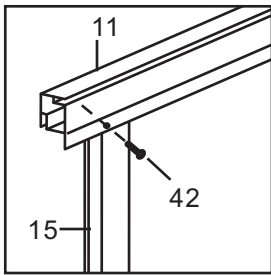
Picture	NO.	Qty.
	42	8



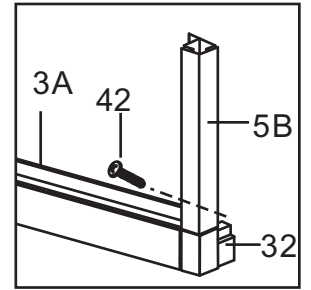
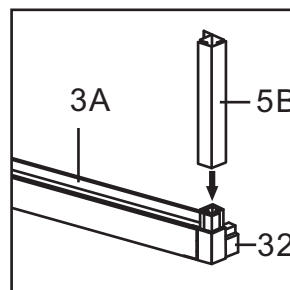
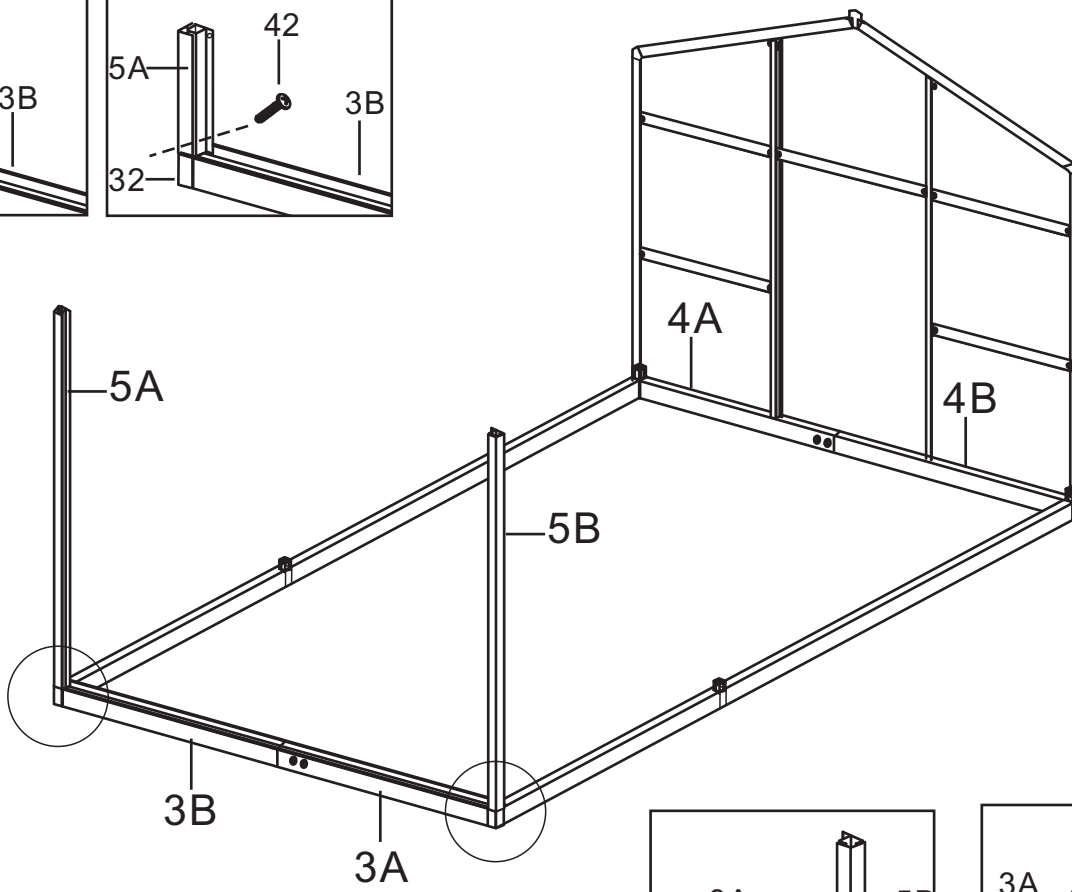
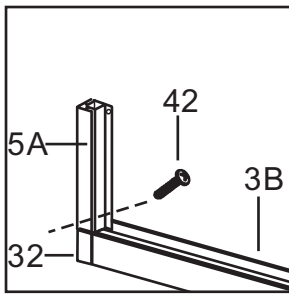
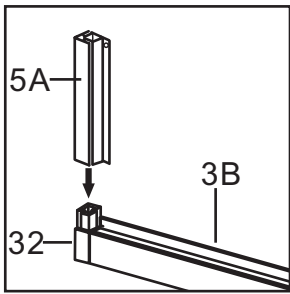
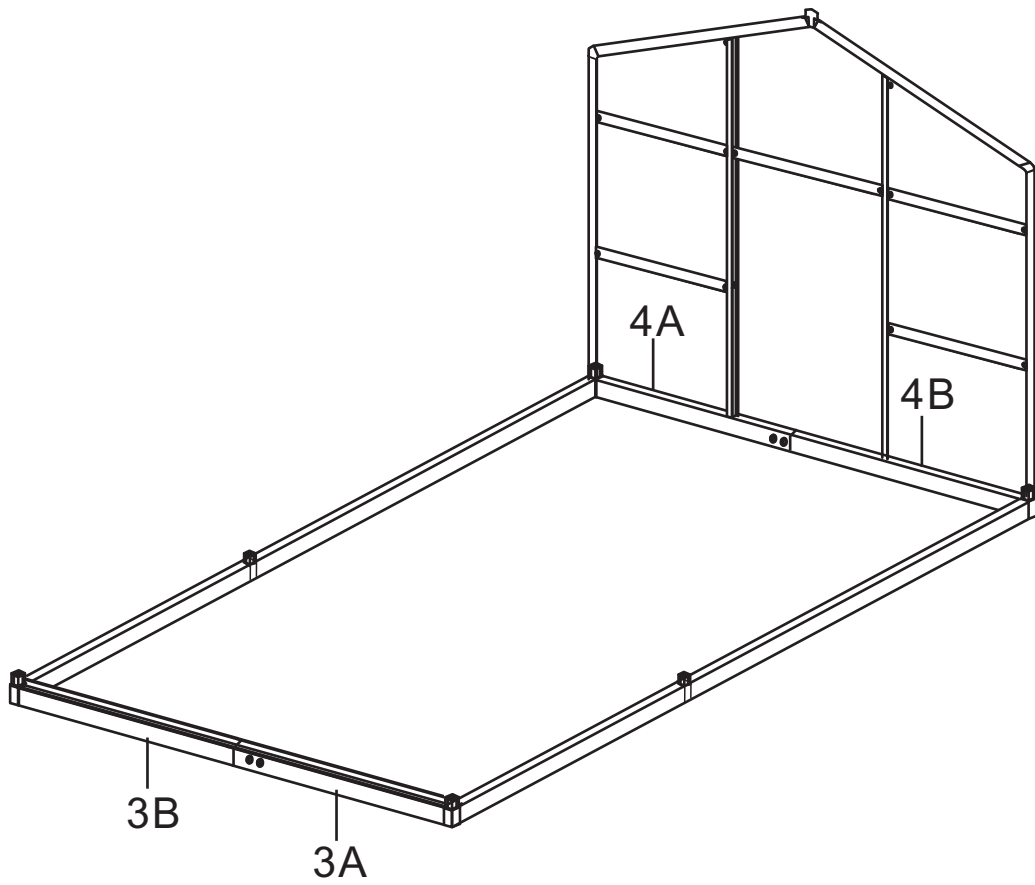
Picture	NO.	Qty.
	D	1
	F	1
	E	2
	22	1
	42	2






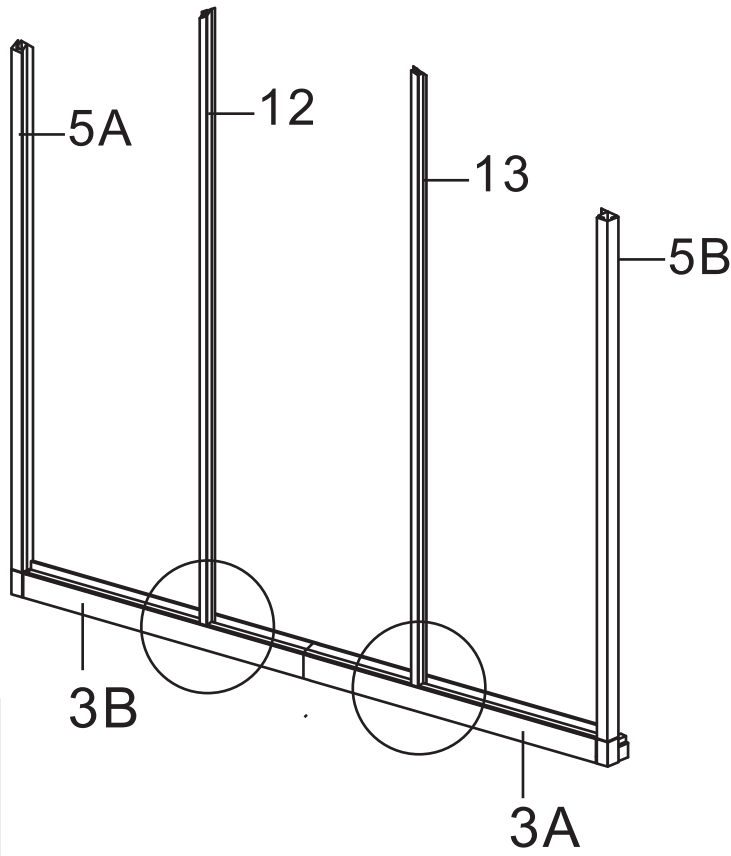
Picture	NO.	Qty.
	10	1
	11	1
	34	1
	33A	1
	33B	1
	42	6



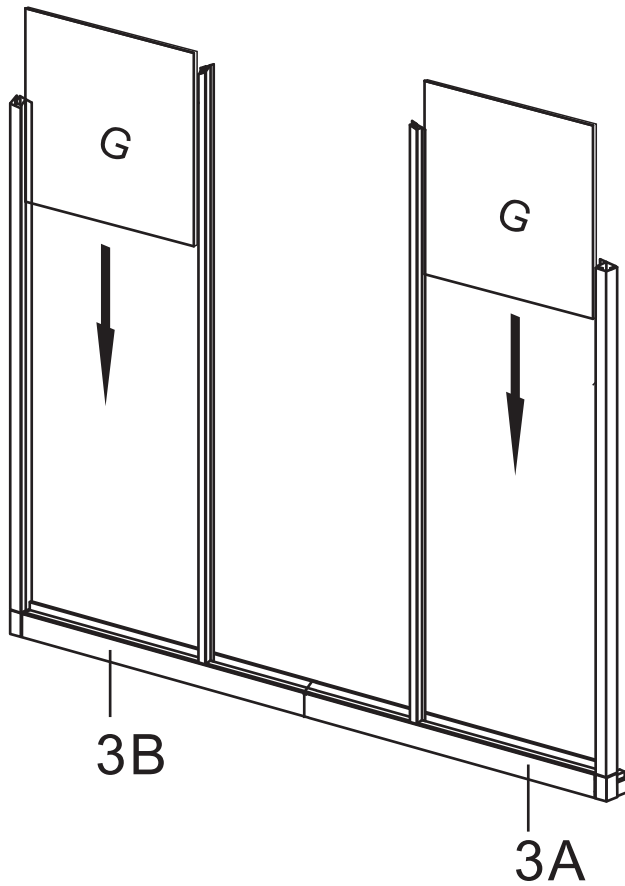
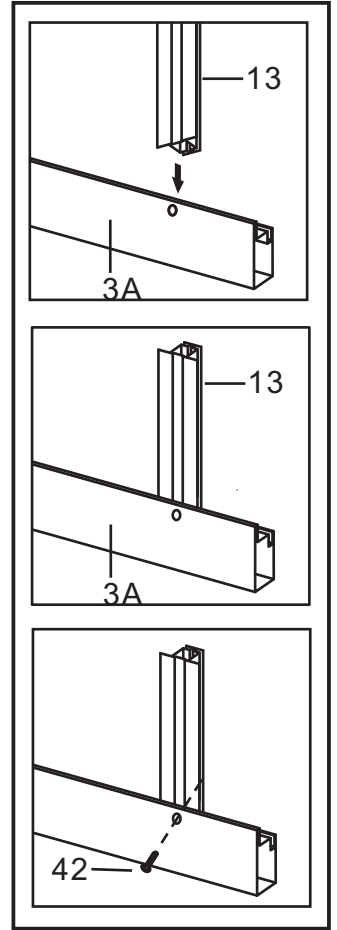
Picture	NO.	Qty.
	42	2



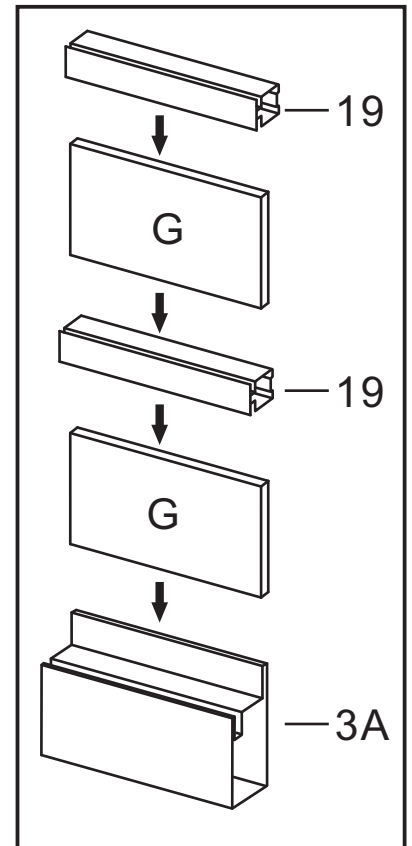
Picture	NO.	Qty.
	5A	1
	5B	1
	42	2

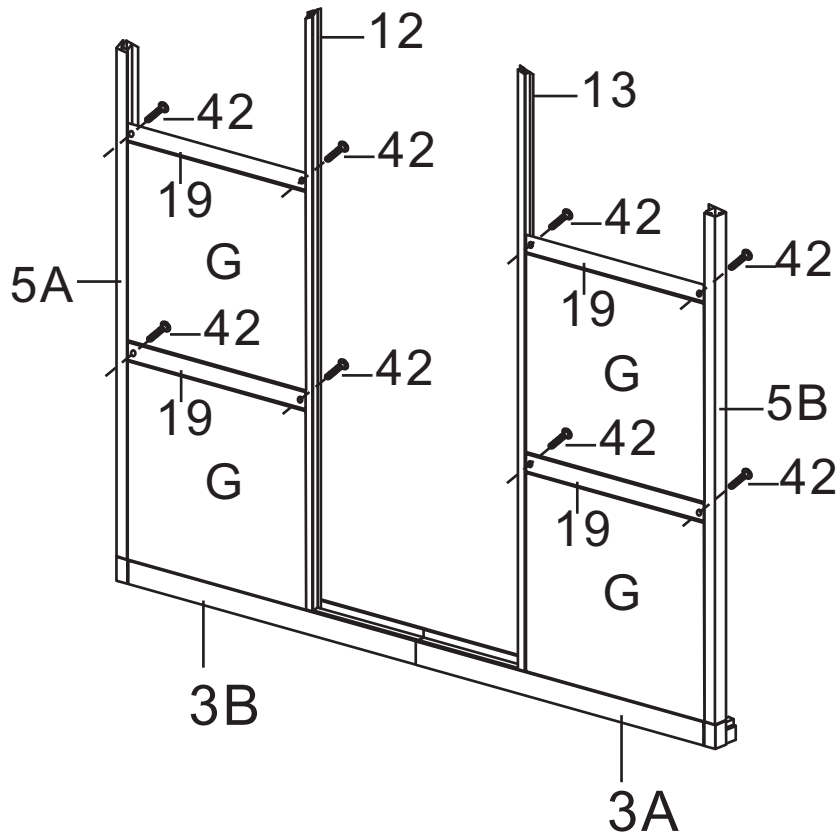
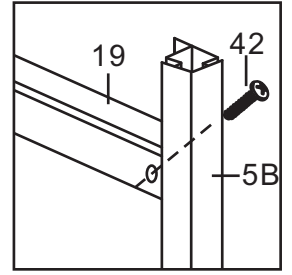
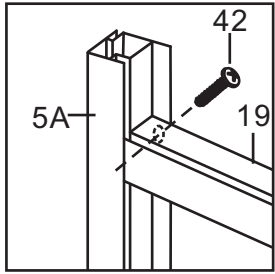



Picture	NO.	Qty.
	12	1
	13	1
	42	2

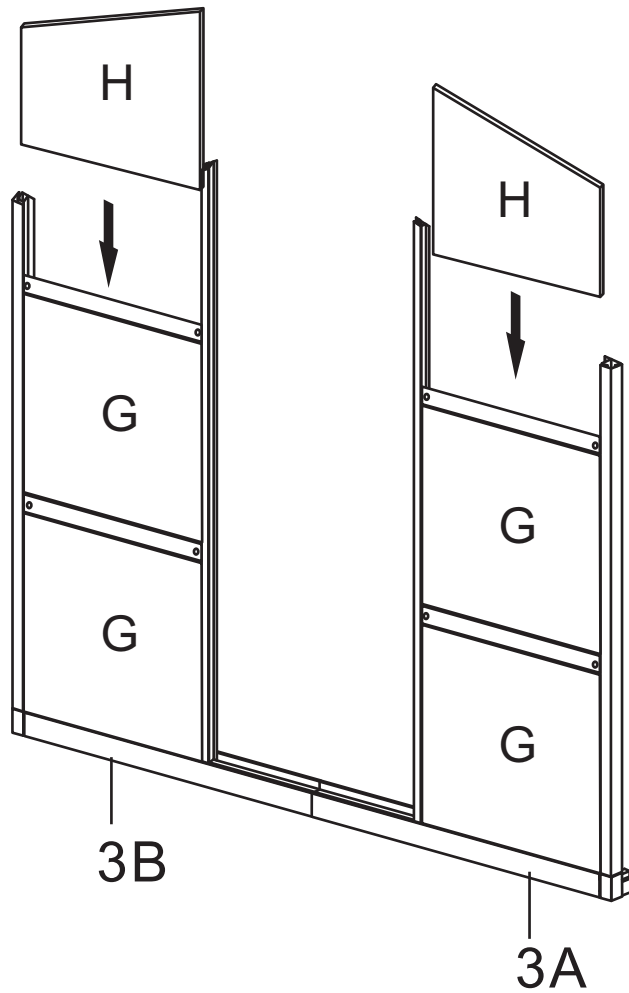



Picture	NO.	Qty.
	G	2
	19	2

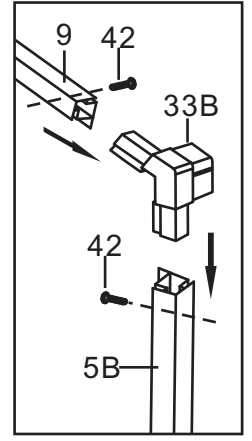
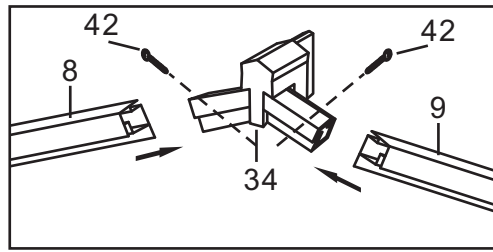
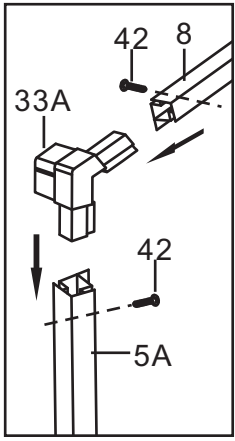




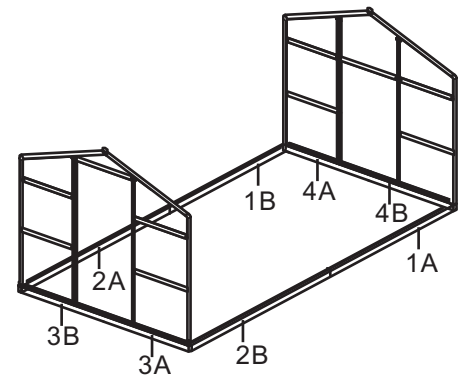
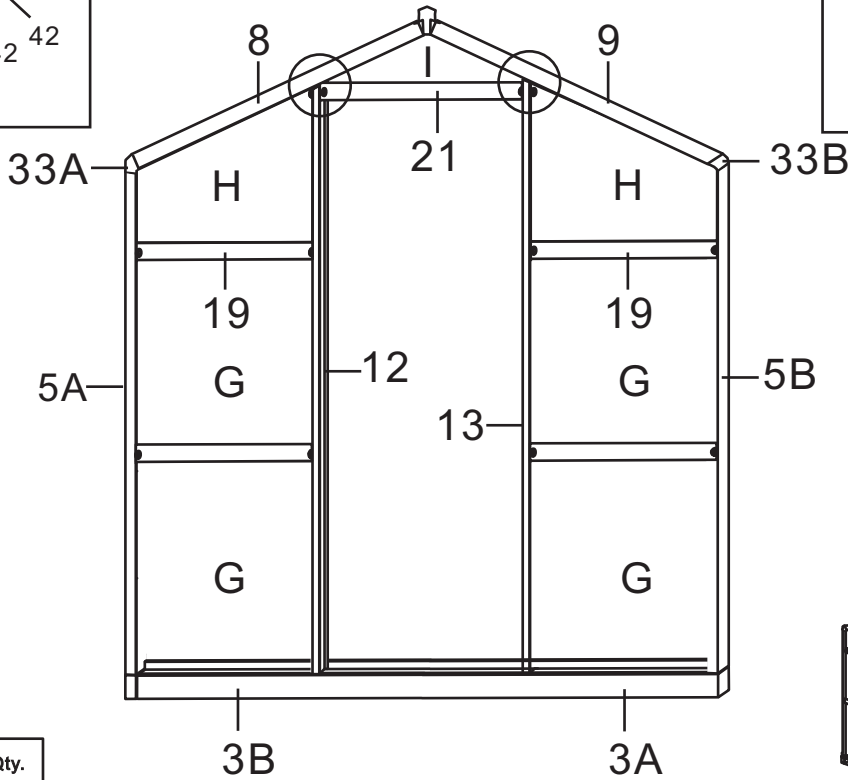
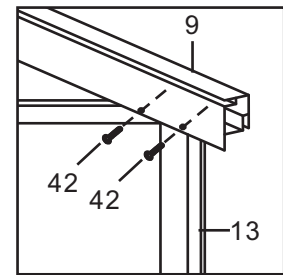
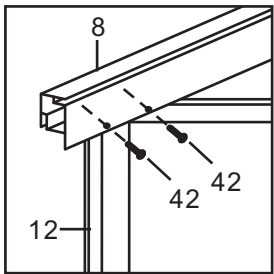
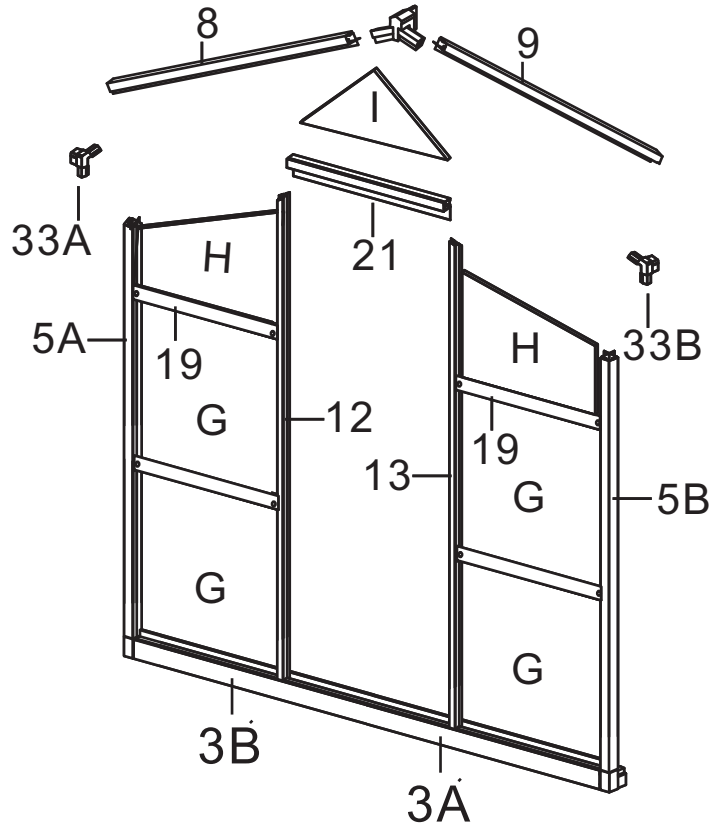
Picture	NO.	Qty.
	42	8



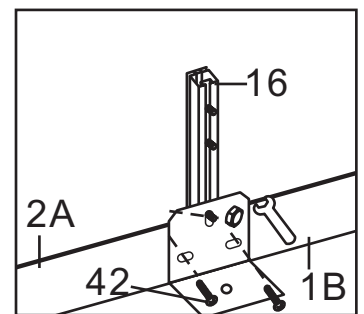
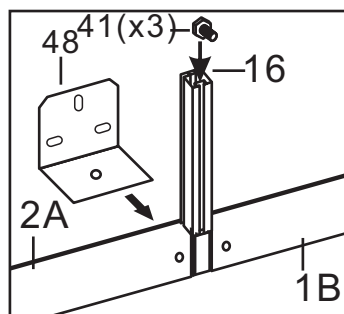
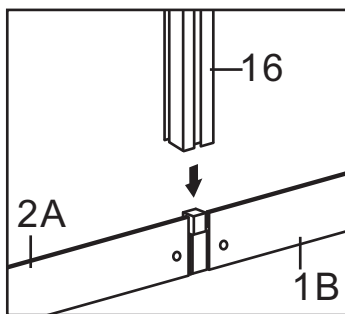
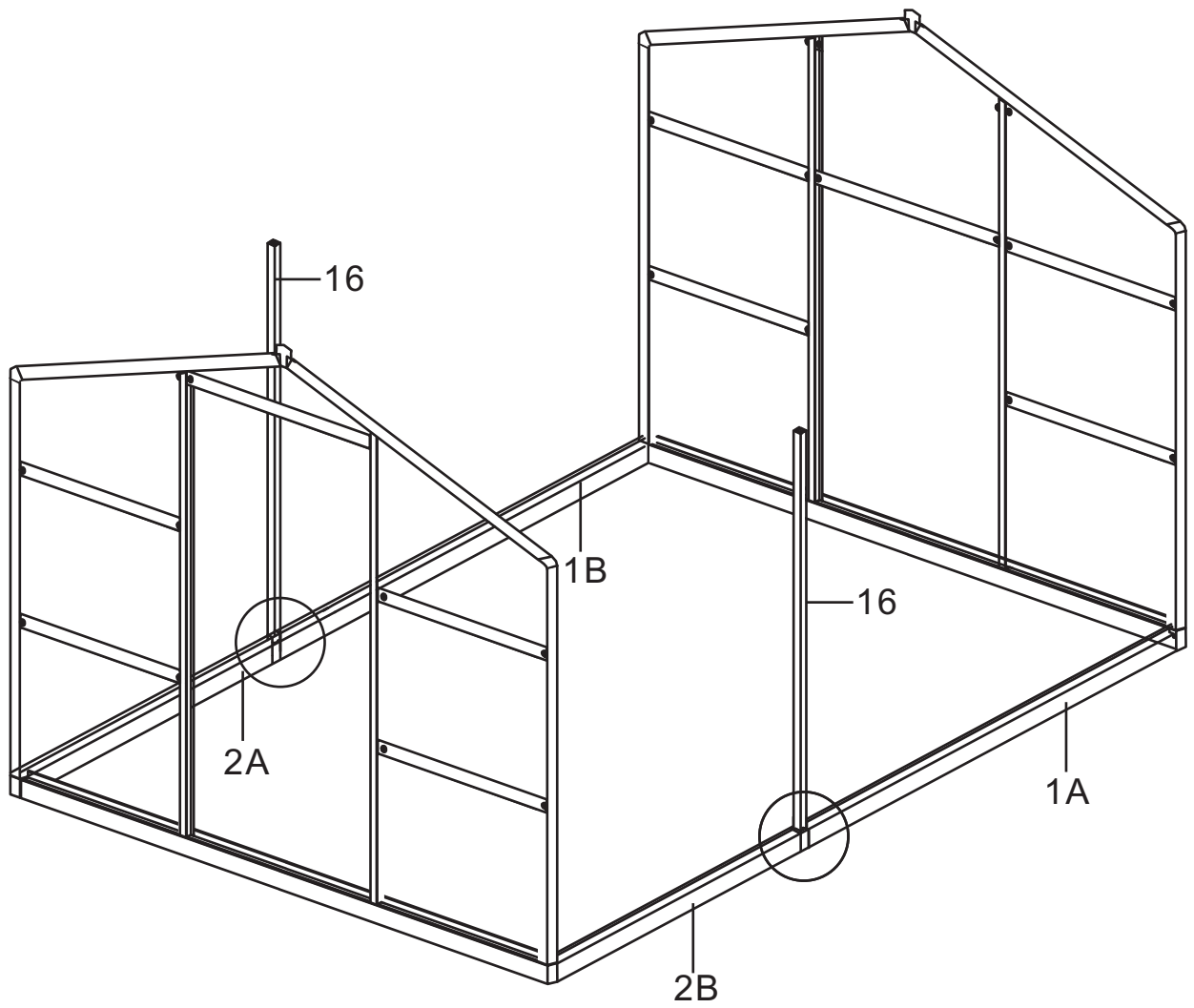
Picture	NO.	Qty.
	H	2



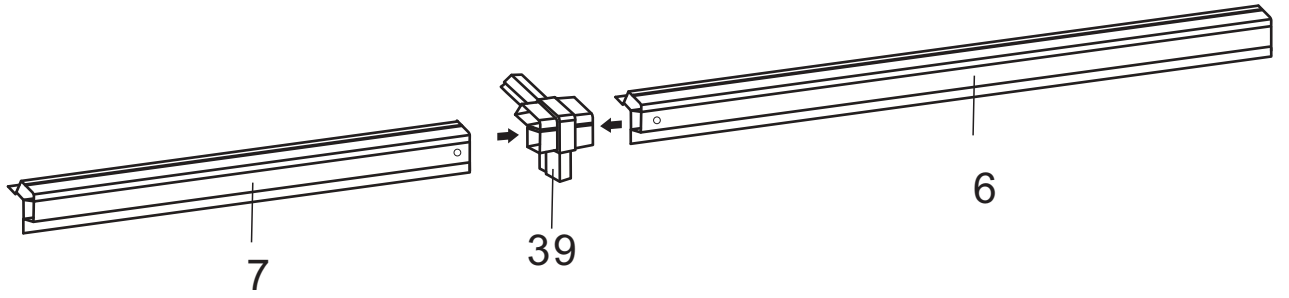
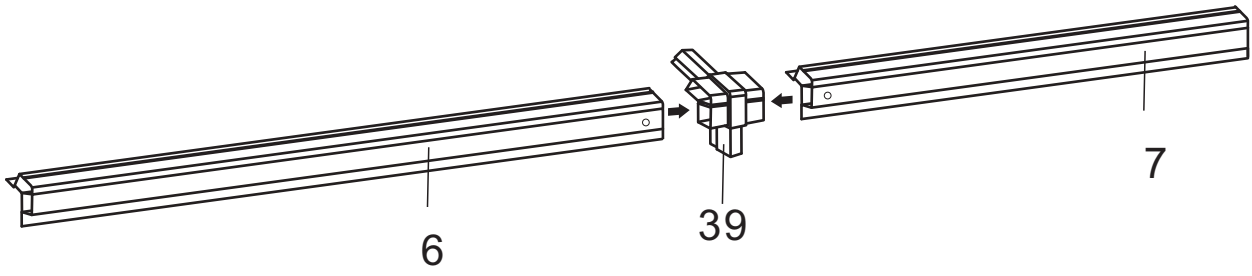
Picture	NO.	Qty.
	8	1
	9	1
	21	1
	33A	1
	33B	1
	34	1
	42	6
	I	1



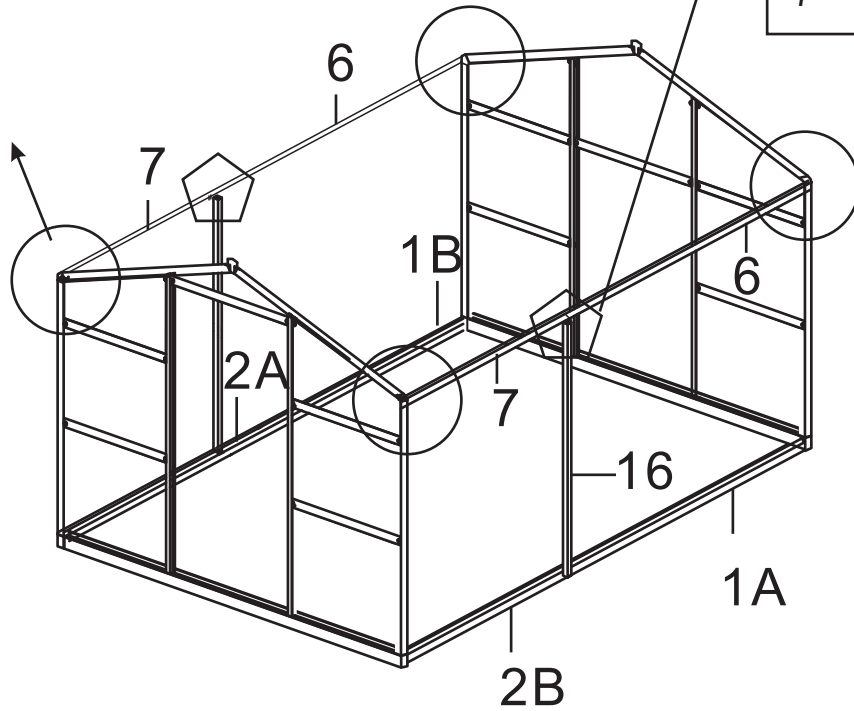
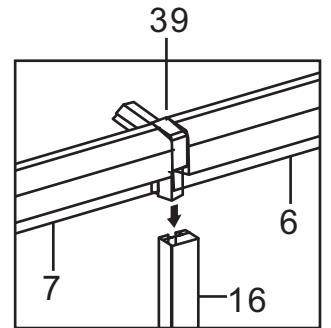
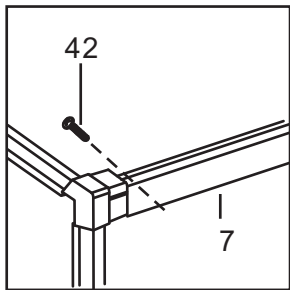
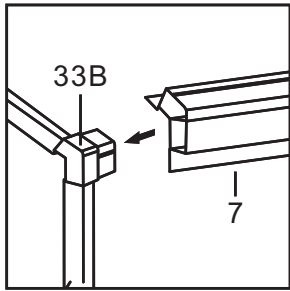
Picture	NO.	Qty.
	42	4



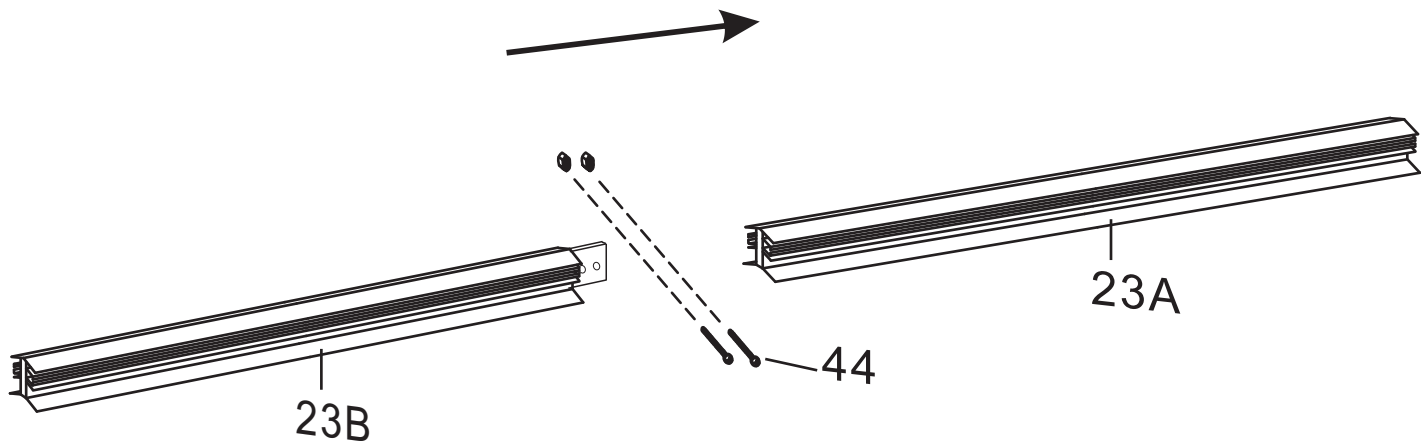
Picture	NO.	Qty.
	16	2
	41	6
	42	4
	48	2



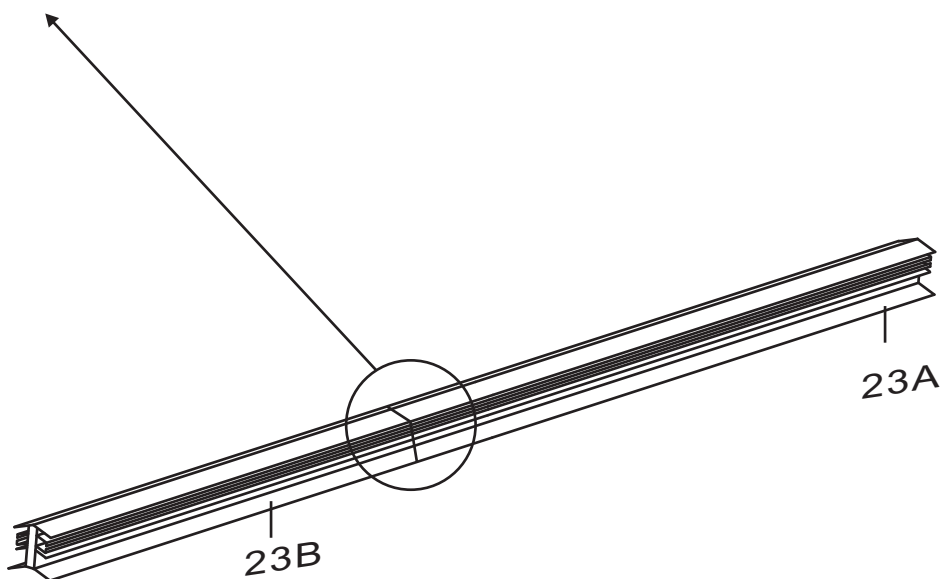
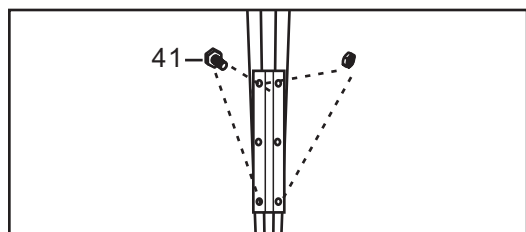
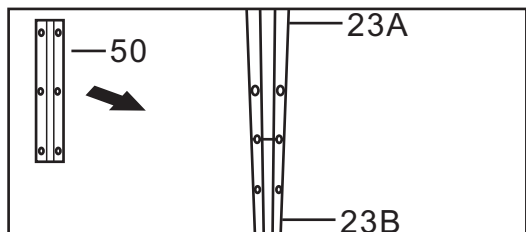
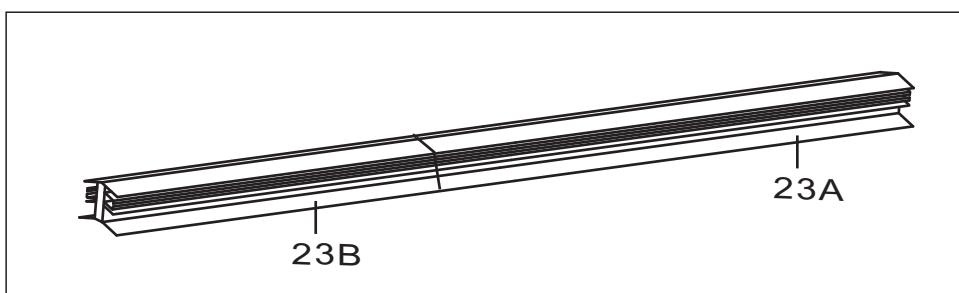
Picture	NO.	Qty.
	6	2
	7	2
	39	2



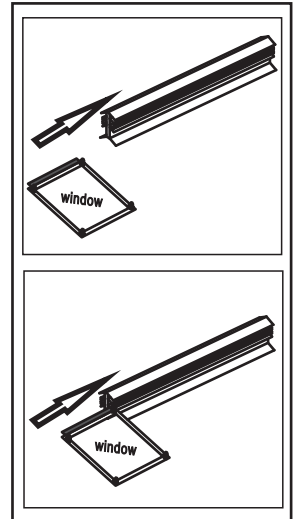
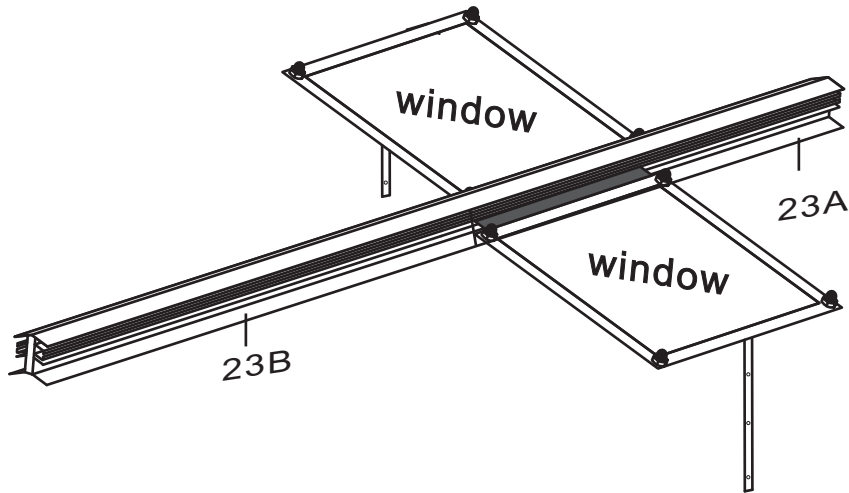
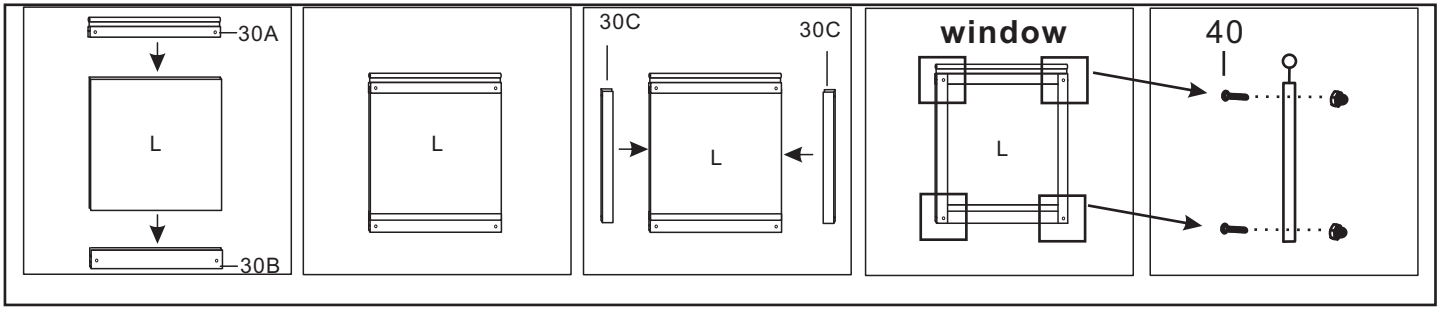
Picture	NO.	Qty.
	42	4



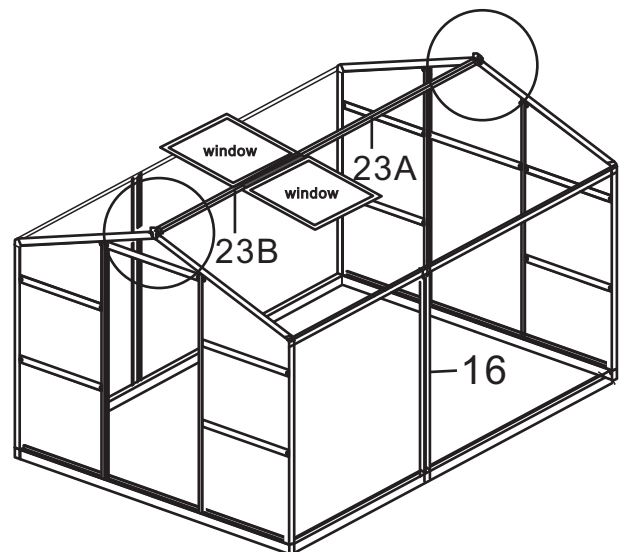
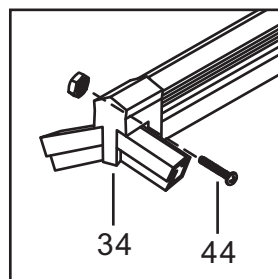
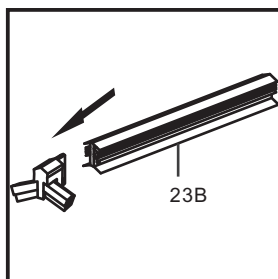
Picture	NO.	Qty.
	23A	1
	23B	1
	44	2



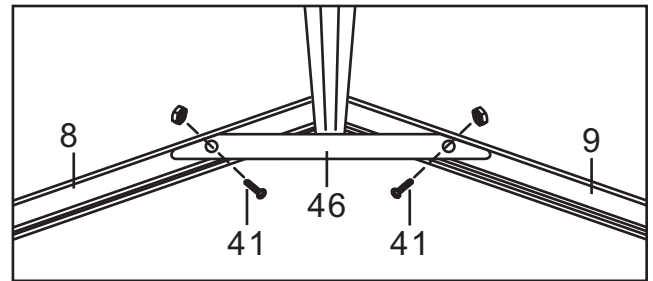
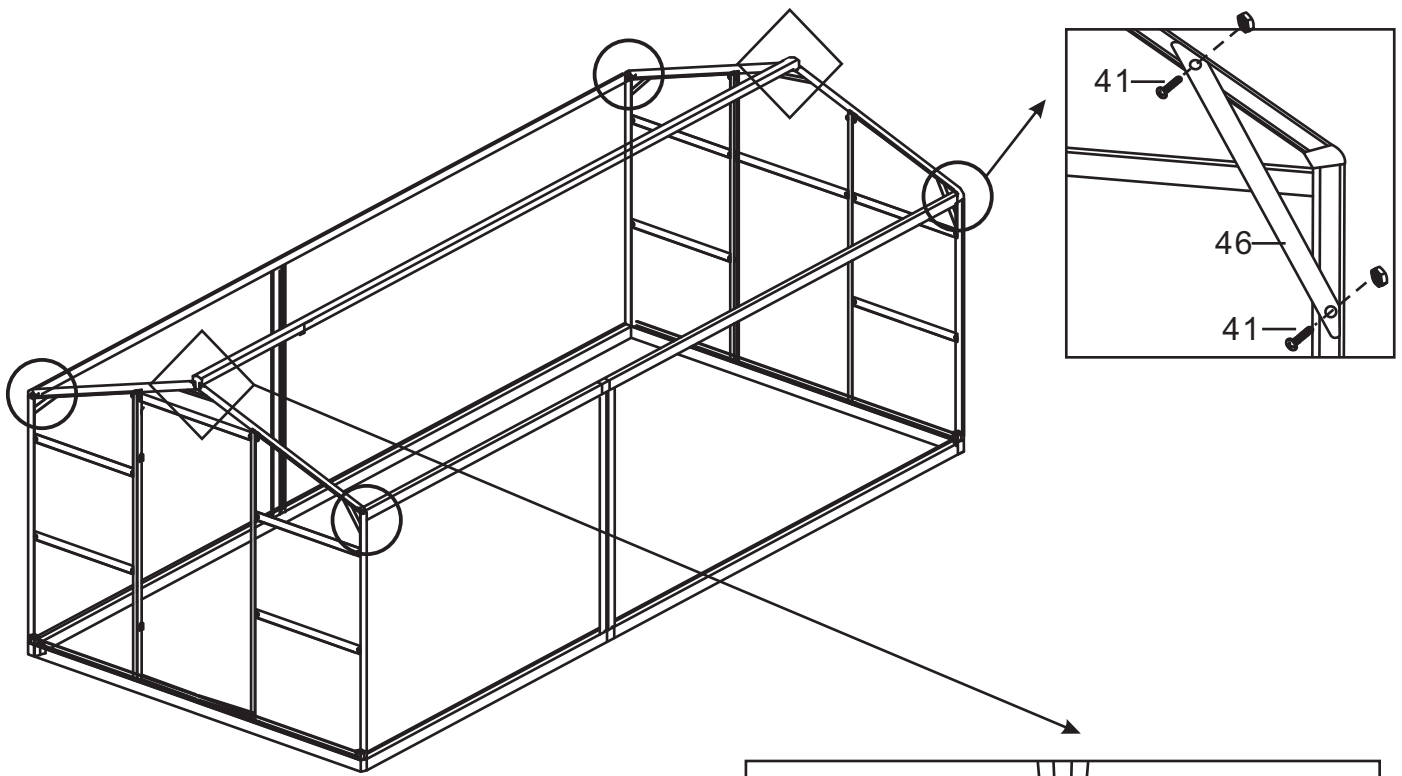
Picture	NO.	Qty.
	50	1
	41	4



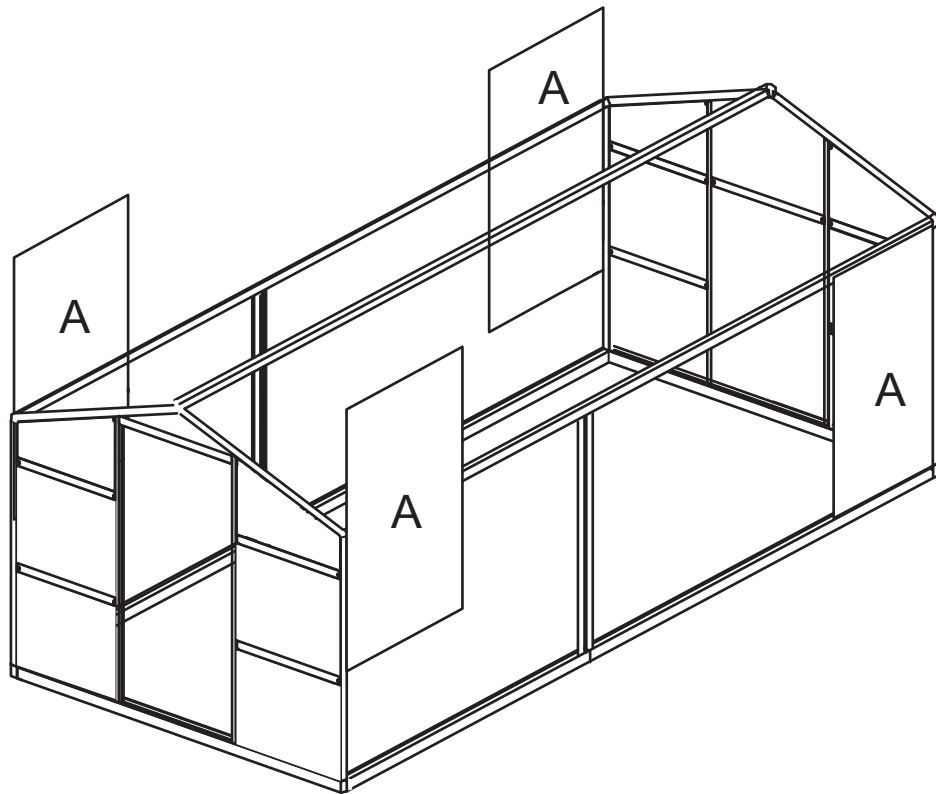
Picture	NO.	Qty.
	30A	2
	30B	2
	30C	4
	L	2
	40	8



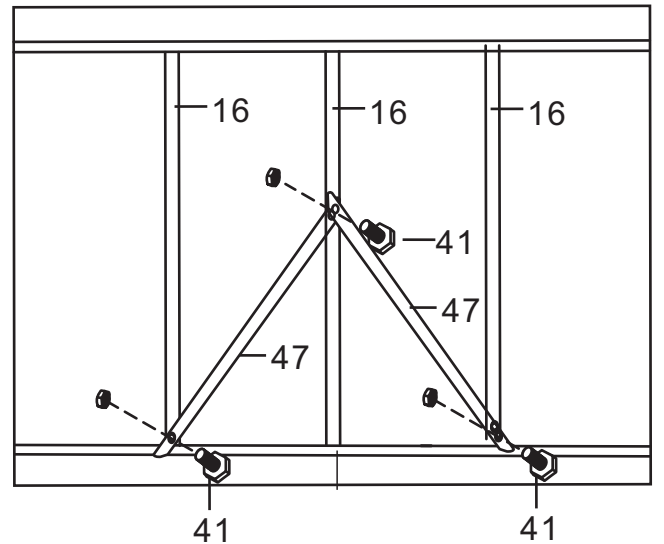
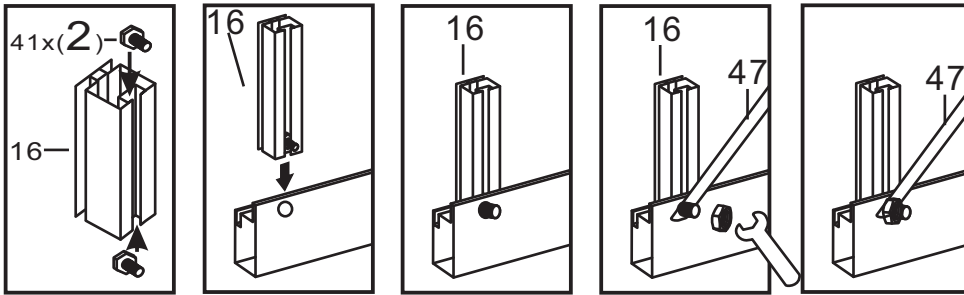
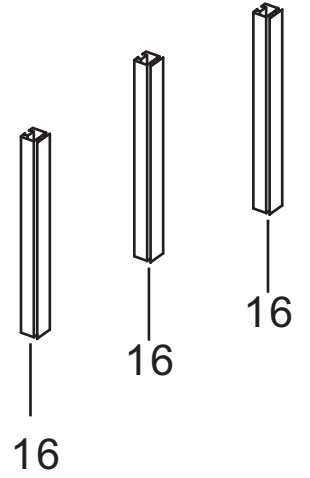
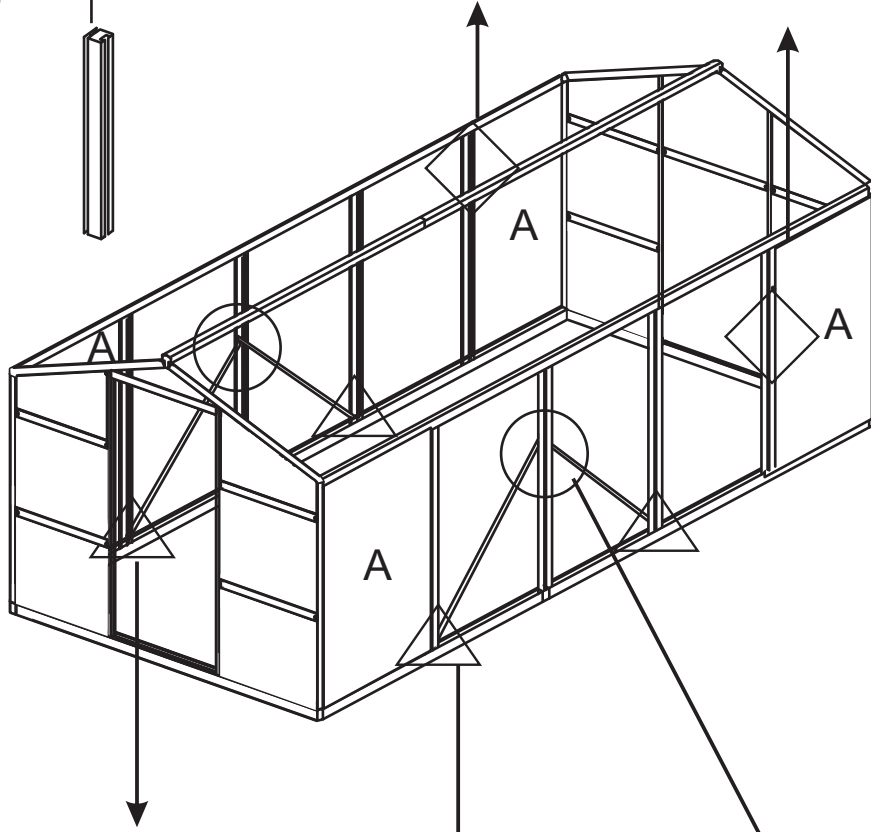
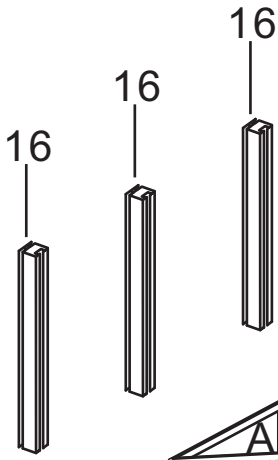
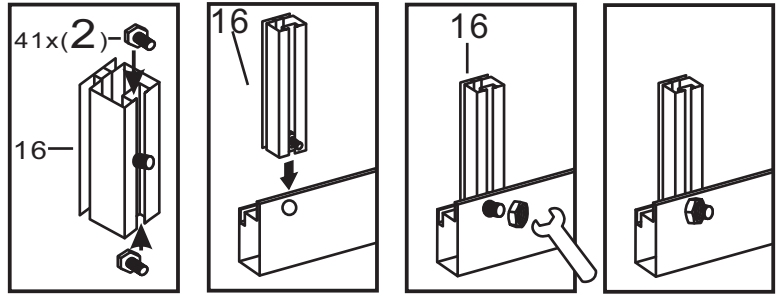
Picture	NO.	Qty.
	44	2



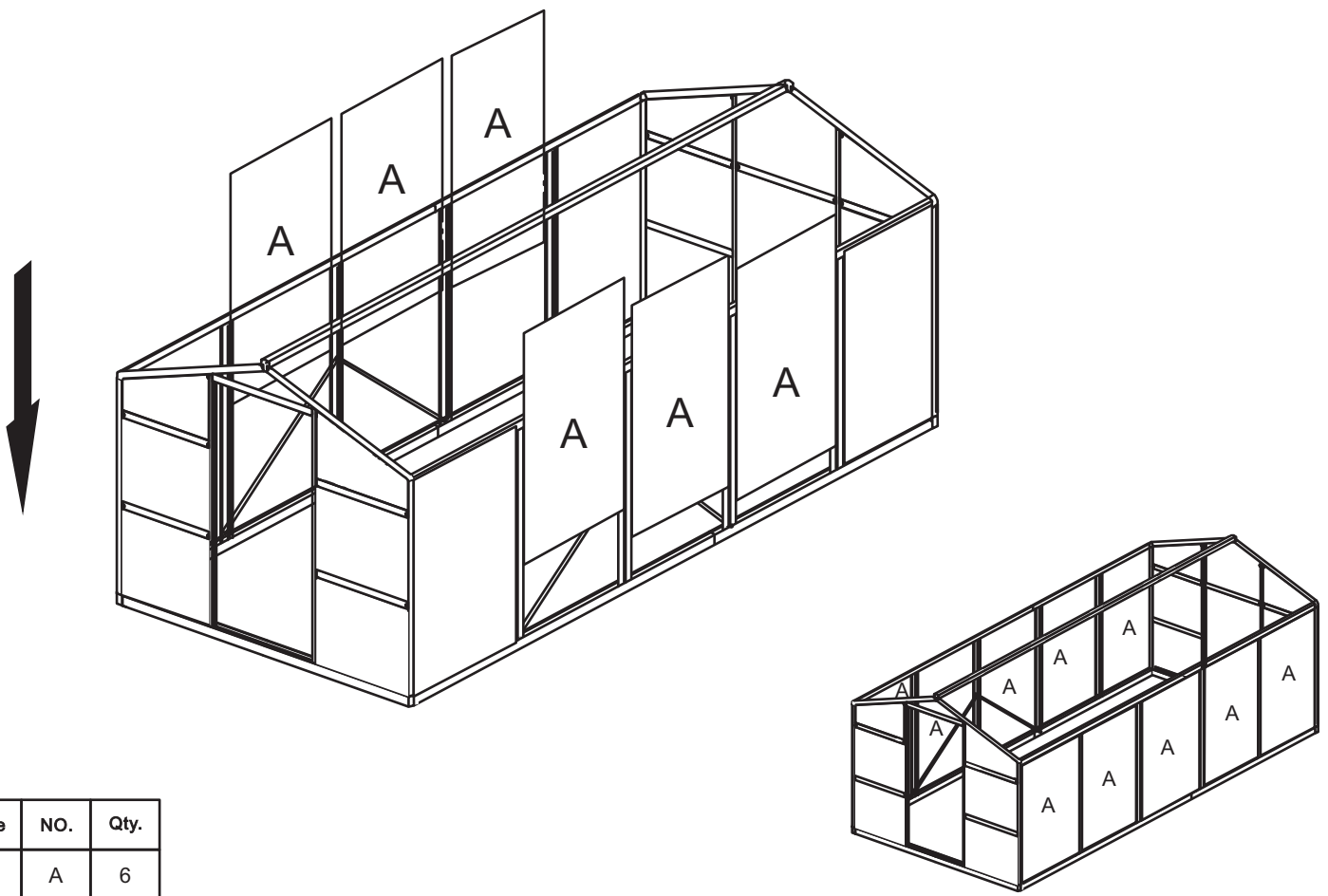
Picture	NO.	Qty.
	41	12
	46	6



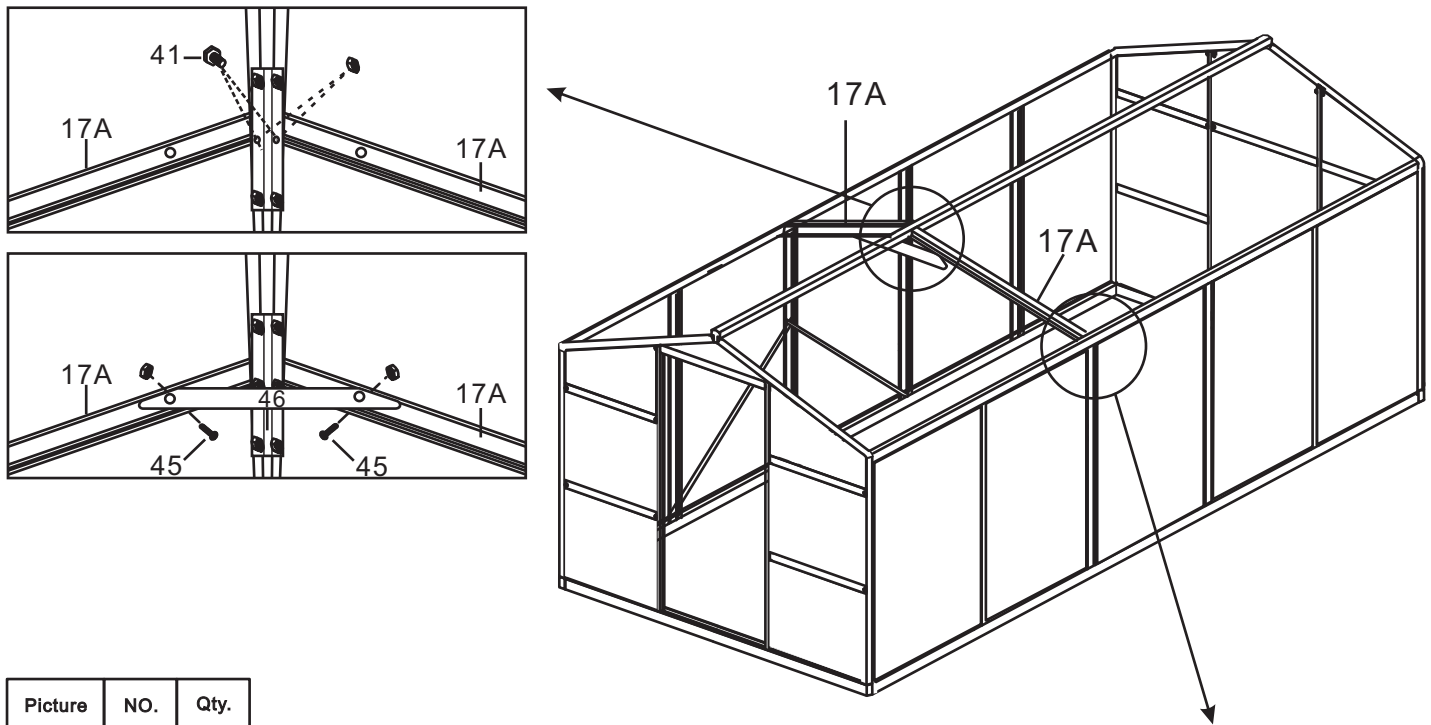
Picture	NO.	Qty.
	A	4



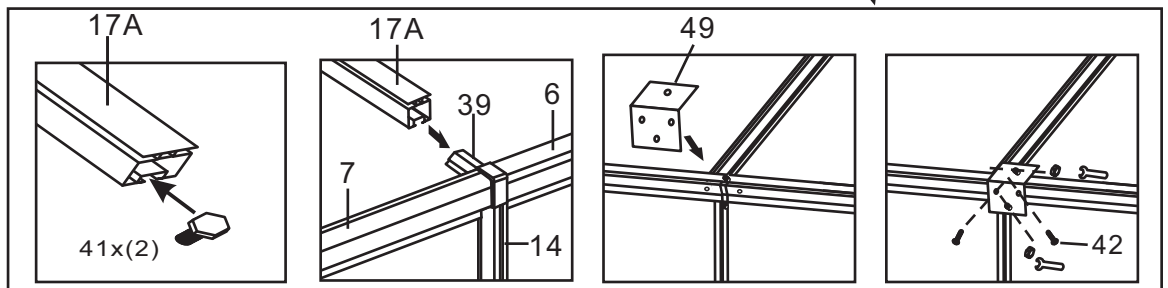
Picture	NO.	Qty.
	16	6
	41	12
	47	4

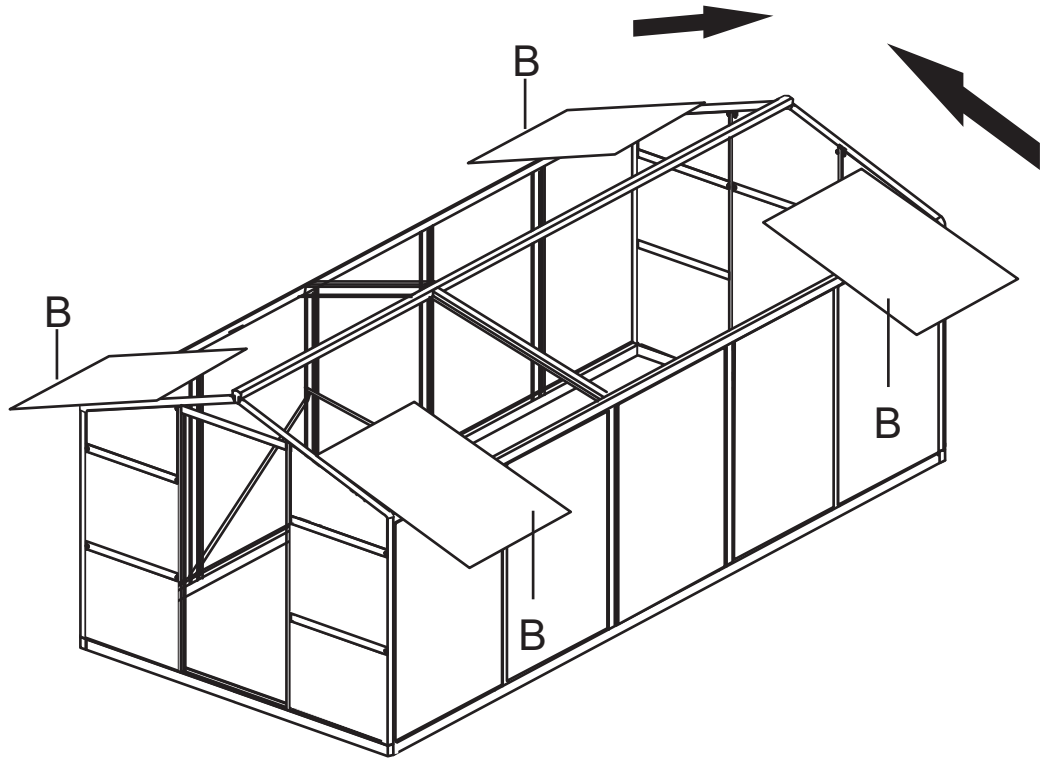



Picture	NO.	Qty.
	A	6

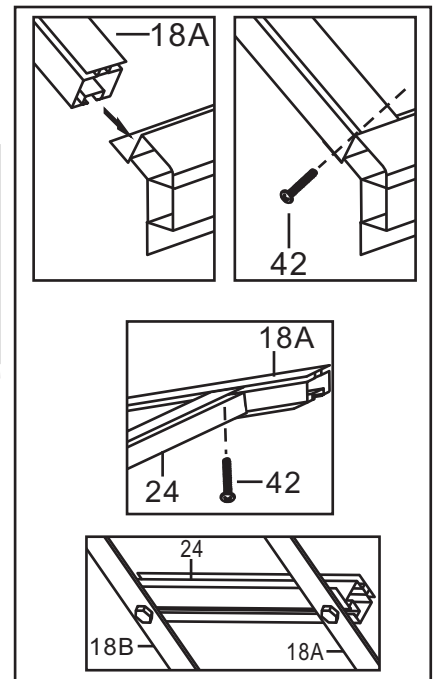
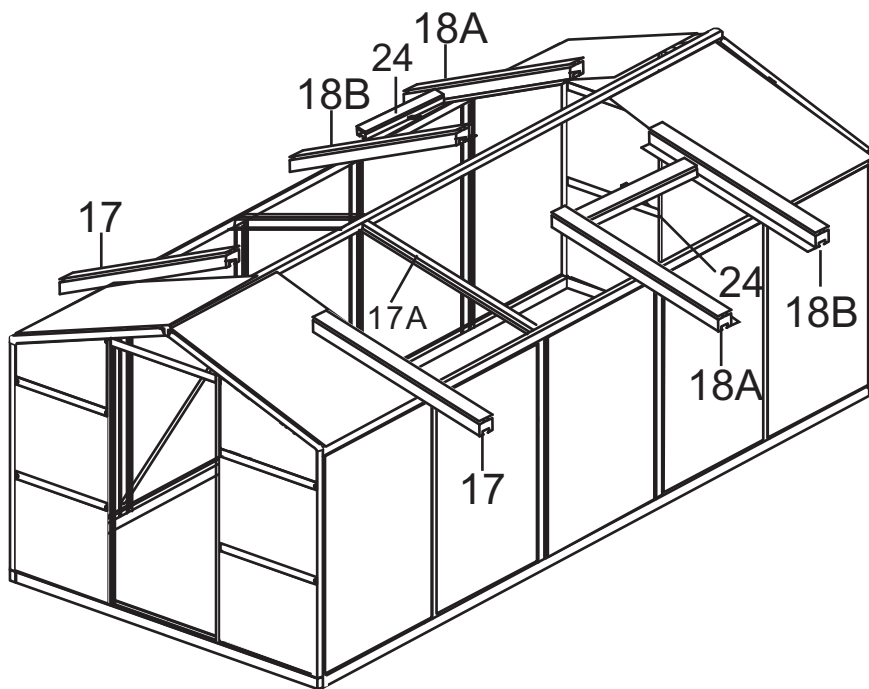







Picture	NO.	Qty.
	17A	2
	41	4
	42	4
	45	2
	46	1
	49	2

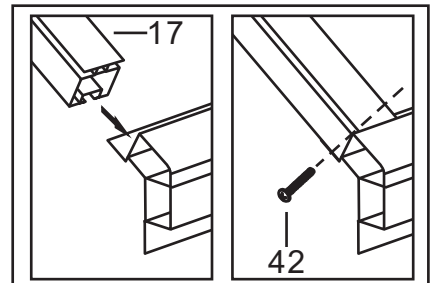


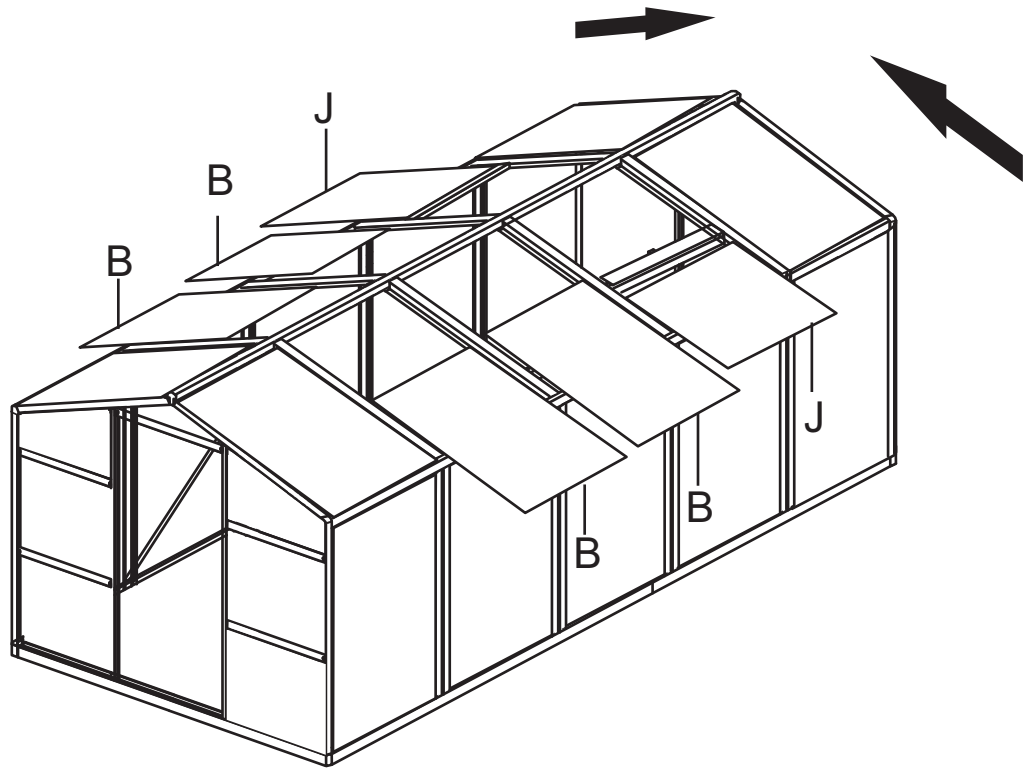


Picture	NO.	Qty.
	B	4

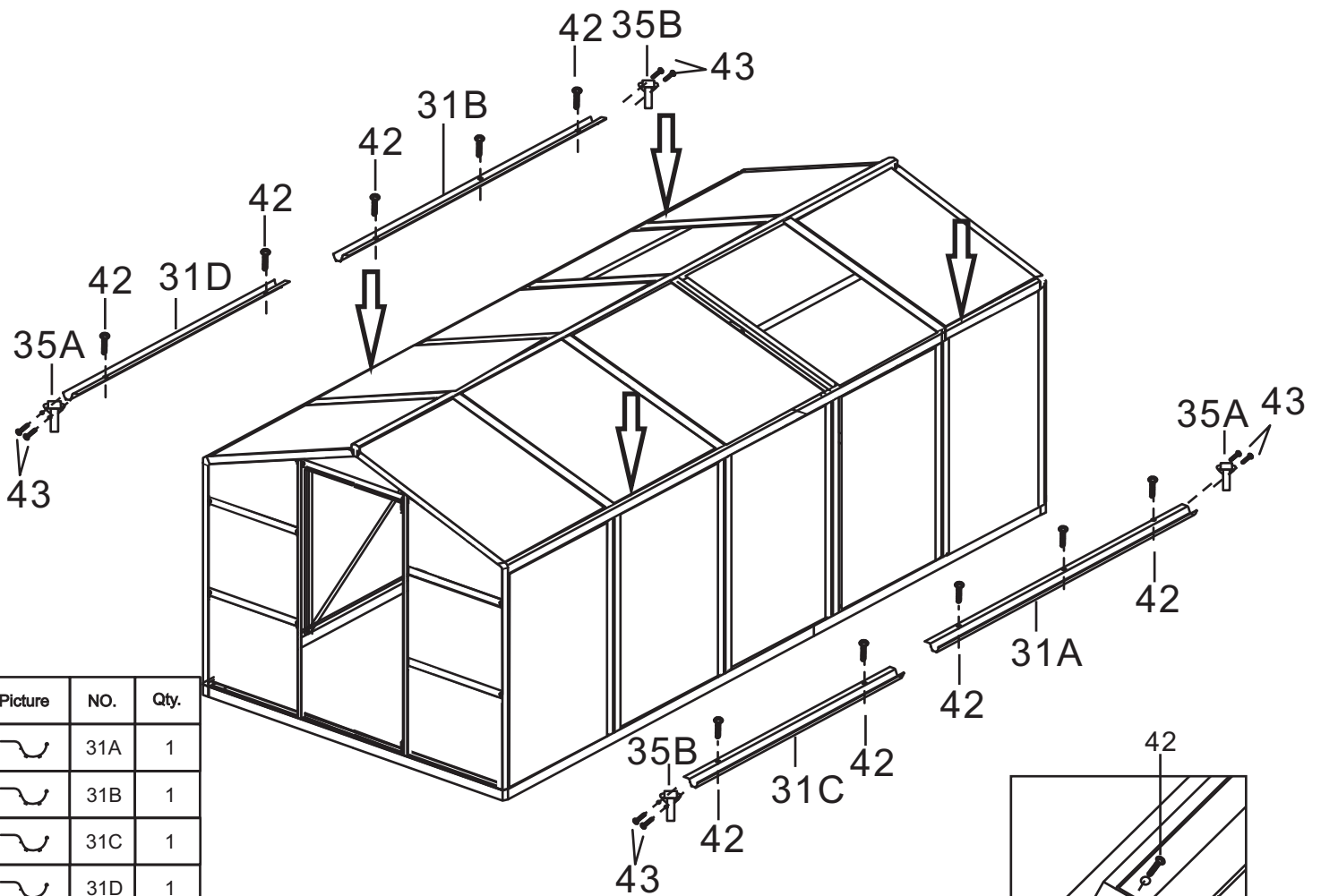


Picture	NO.	Qty.
	17	2
	18A	2
	18B	2
	24	2
	42	16

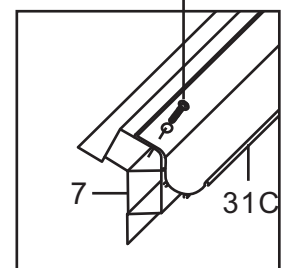


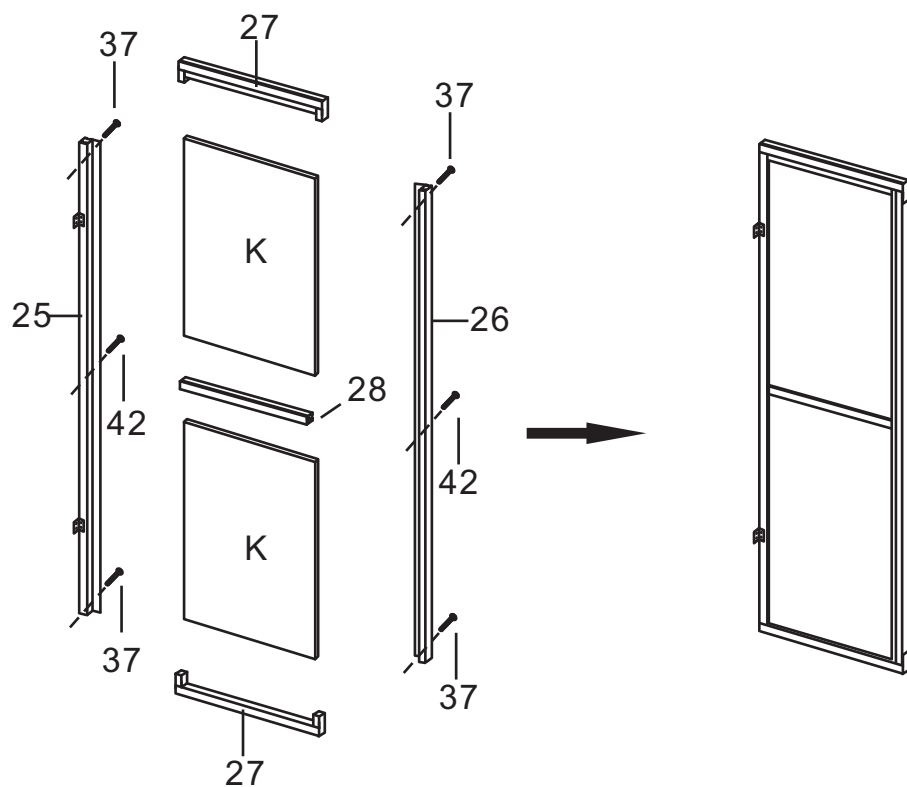


Picture	NO.	Qty.
	B	4
	J	2

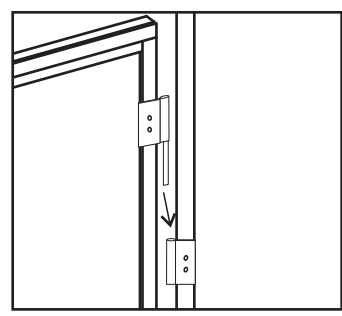
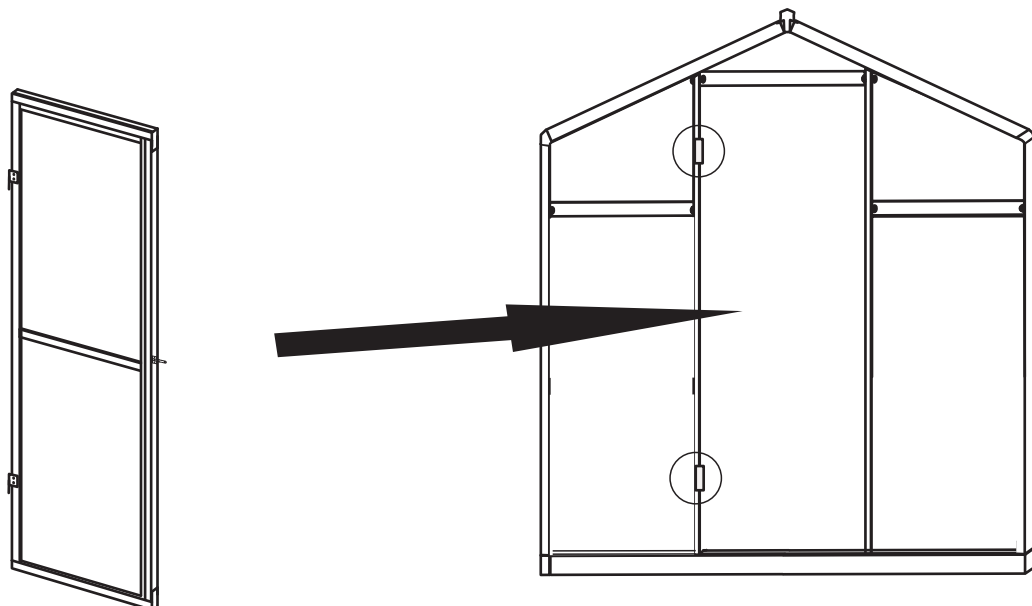


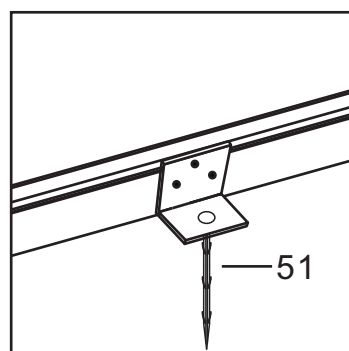
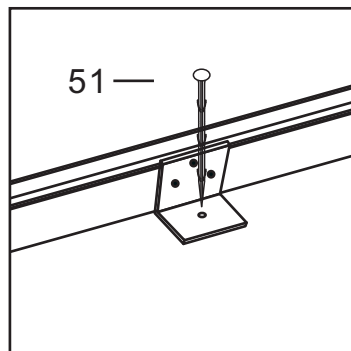
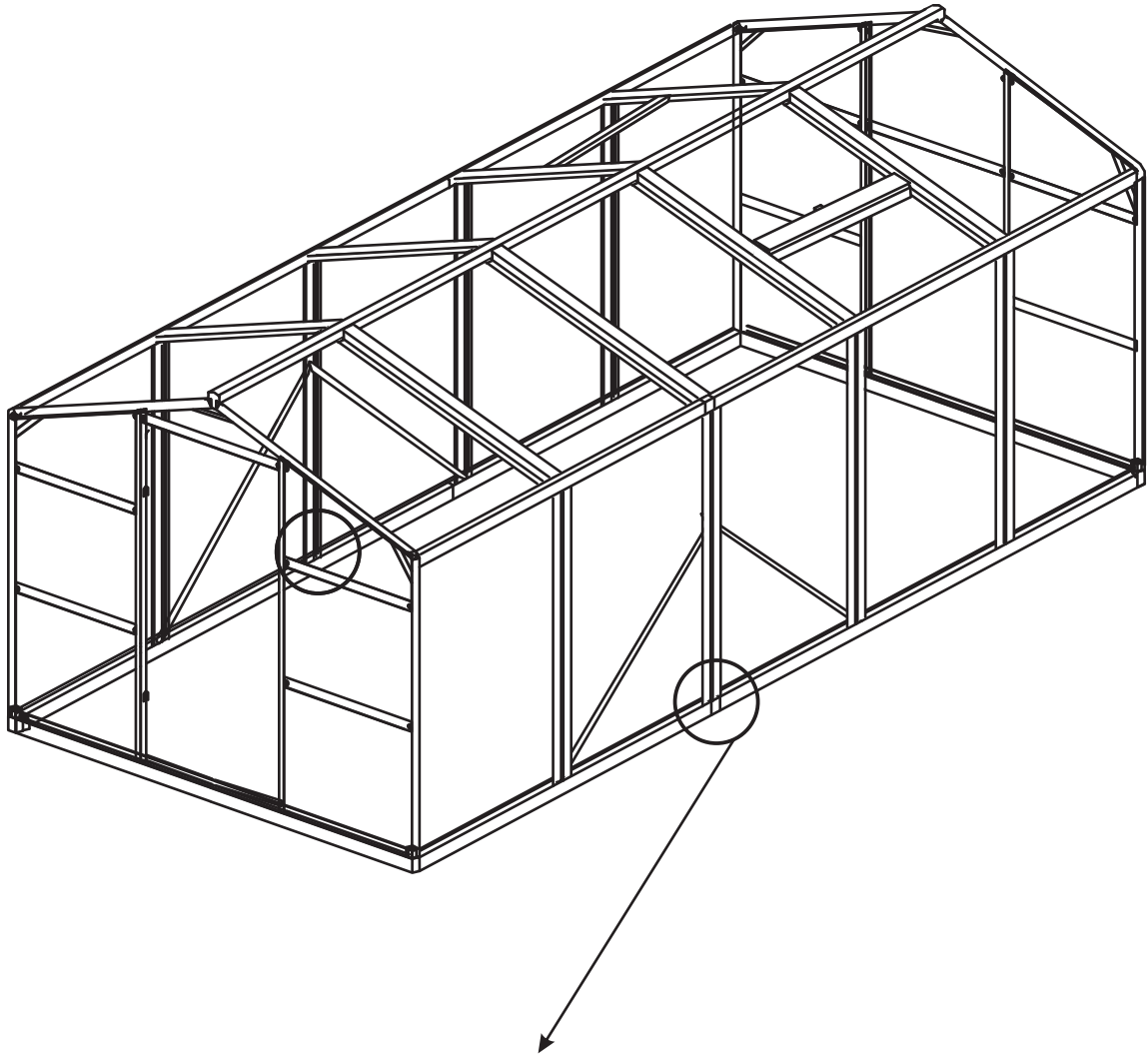
Picture	NO.	Qty.
	31A	1
	31B	1
	31C	1
	31D	1
	35A	2
	35B	2
	42	10
	43	8






Picture	NO.	Qty.
	25	1
	26	1
	27	2
	28	1
	K	2
	37	4
	42	2





Picture	NO.	Qty.
	51	2

Check and tighten all screws to ensure that the greenhouse is sturdy.