

# Greenhouse

9.9m<sup>2</sup>/11.5m<sup>2</sup>





# May we congratulate you on your new Greenhouse

## Dear Customer!

The assembly of your new greenhouse requires no technical knowledge. However, it is important that the assembly instructions are strictly followed.

The assembly instruction is a combination of text and illustrations. The profiles are packed separately in numbered packs corresponding to the order in the assembly instruction. Erect one pack at a time. All nuts and bolts and fittings are found in the bag. Each pack is specified in separate lists of components.

All detailed illustrations are marked with symbols:



seen from inside



seen from outside

## Precautions

- Assembly must only be carried out in dry and calm weather.
- Always use working gloves while glazing. Greenhouse glass has sharp edges, especially if the glass breaks.
- Assistants and especially children must be warned that broken glass is an element of danger. Pick up broken glass at once and remove it with care.
- We recommend to use protective glasses while fixing the spring wire clips.
- Place the ladder on a level support.
- It is essential to have an assistant.

## Tools

The mounting of the greenhouse requires the tools shown on page 2.

Page 3:

## Foundation

Important! The base must be exactly square and level. Foundations must extend down below the frost level. The front must allow room on the foundation, minimum 70mm (3A) , for the support of the door guide (6000) in section (3A) .  
Diagrams in a single frame show the view from inside the greenhouse. Those enclosed in a double frame show the view from outside the greenhouse.

Page 5-17

Place the components as shown on the illustration and assemble in the order shown in the pictures.

Do not tighten the nuts completely until

the front gable construction has been assembled.

## Fitting of glass/polycarbonate

### Important before glazing!

Make sure that gables and sides are level and square, and that door(s) and window(s) are functioning perfectly.

Best order of assembly:

- 1) Rear gable – 2) Front gable –
- 3) Sides –4) Frame assembly – 5) Roof and bracing - 6) Doors – 7) Glazing

## Glazing

Degrease the sheets and frames with spirit. Start glazing from below, one glass at a time. Fit glazing strip (1054) to all glazing bars, gable bars and corner posts before you begin to glaze the greenhouse.

Spring wire clips and glass holders are to be fitted as shown.

X = Spring wire clips,

Now your greenhouse is completely assembled. However, please notice the following:

## Maintenance

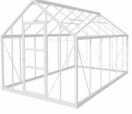
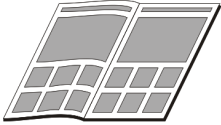


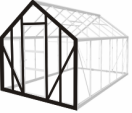





- Grease doors (hinges and lock or Door track).
- Clean the gutter for leaves, etc.
- Adjustment of windows.
- Replacement of broken glass.
- Clean the greenhouse with disinfectant before and after the growing season.

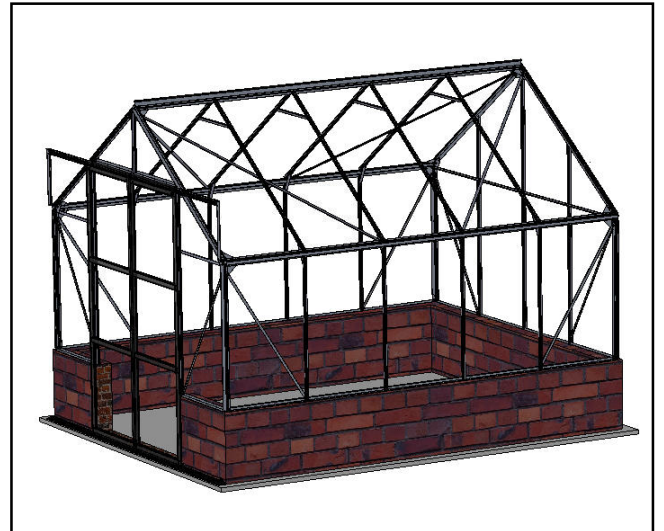
## Winter Protection

In areas with occurrence of snow we recommend the following winter protection:

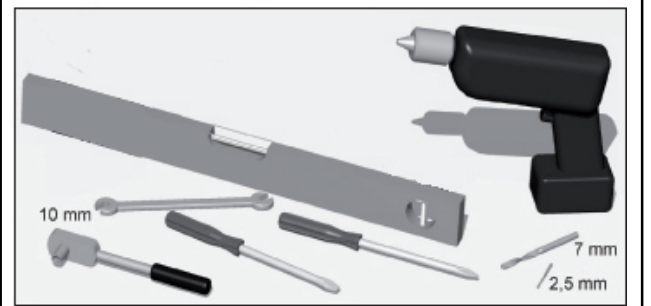
- Support the roof ridge at the centre of the greenhouse.
- Remove greater snow loads from the roof.
- Take precautions against snow falling down from for instance a tree or a roof.
- Dismount the cylinders for the automatic window openers, if any (optional extras).
- Secure door(s) and window(s) preventing wind damage to the greenhouse.

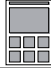






# Survey

	
	2
	4-5
	6-7
	8
	9-10
	11-12
	13-14
	15-17



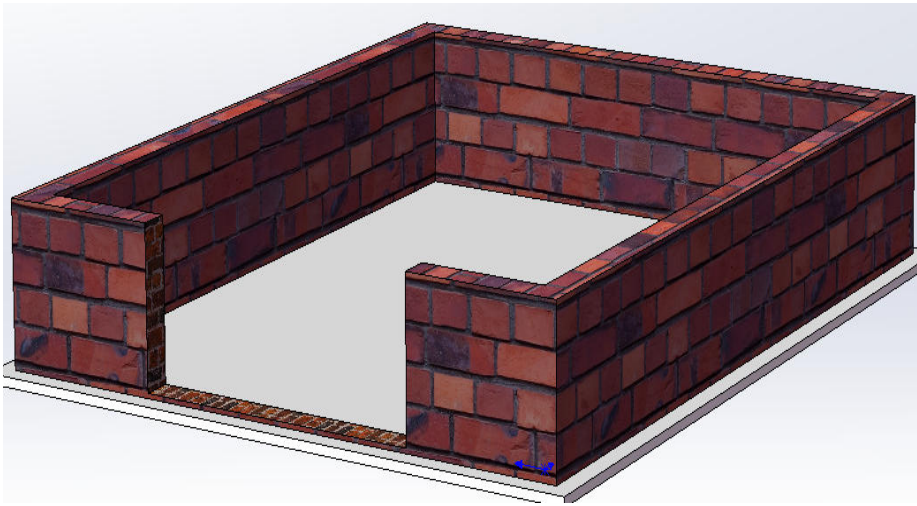
## Tools





<i>O</i>	#		9.9m <sup>2</sup>	11.5m <sup>2</sup>
	1028	4-7	4	4
	2067	4-7	2	2
	2069	10-11	12	12
	M6X12	5-14	200	228
	1058	10-12	2	2
	1062	10-12	2	2

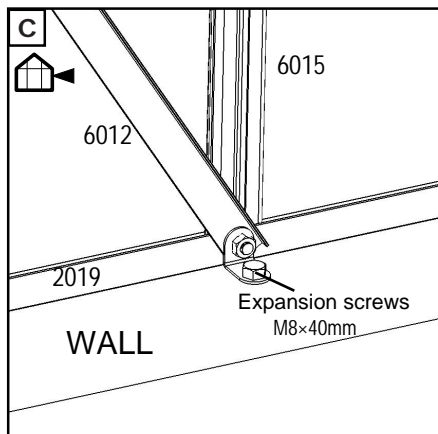
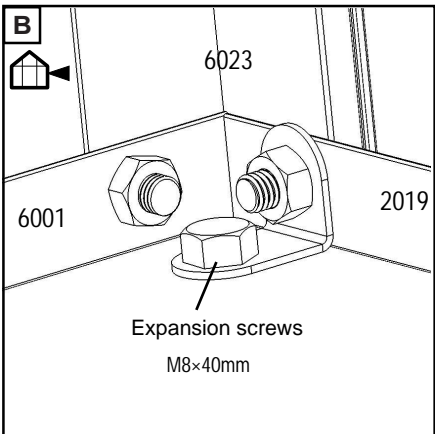
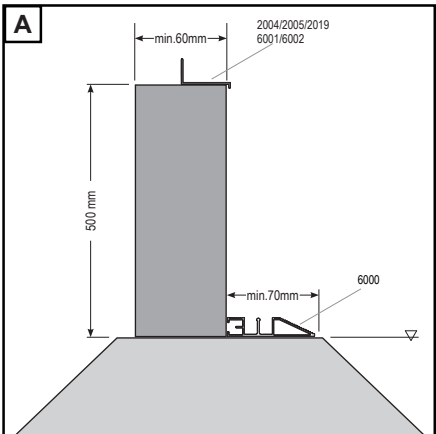
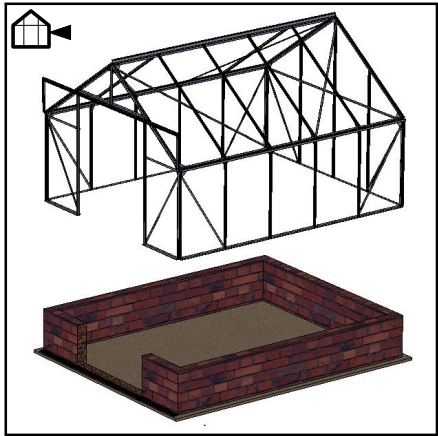
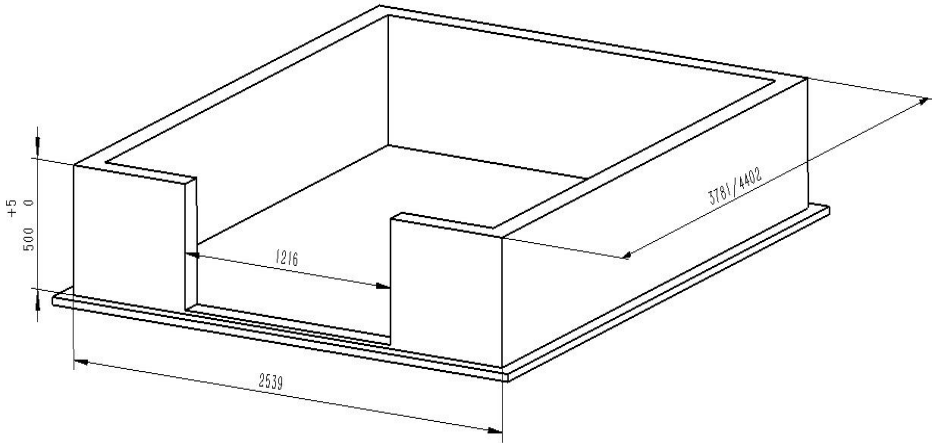
# Accessories

## Foundation

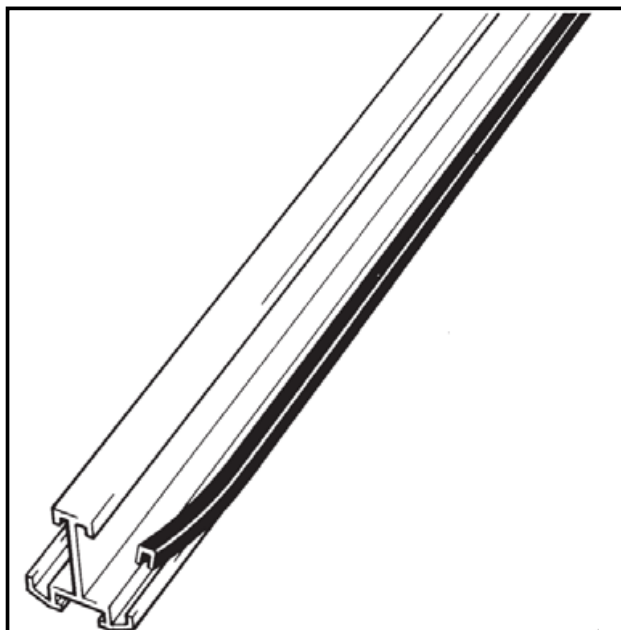


	X	Y	Z
9.9m <sup>2</sup>	2539mm 8ft 4"	3781 mm 12ft 5"	4544mm 14ft 9"
11.5m <sup>2</sup>	2539mm 8ft 4"	4402 mm 14ft 4"	5082mm 16ft 7"

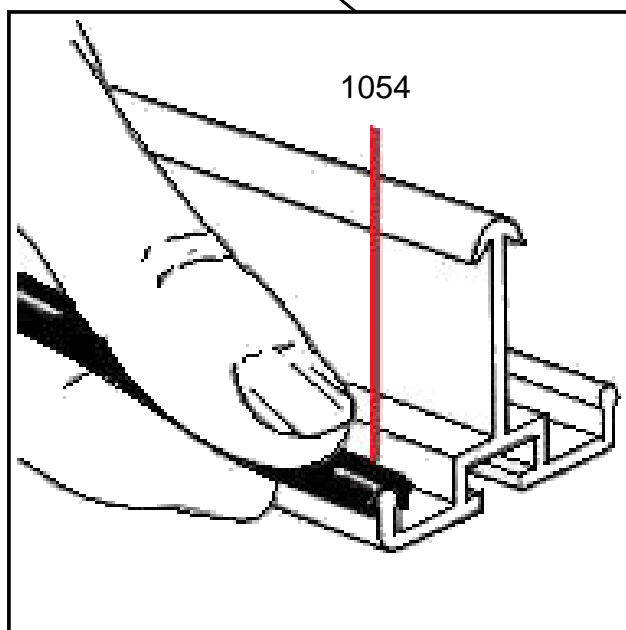
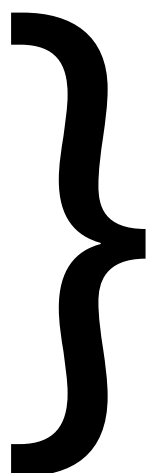
	#	9.9m <sup>2</sup>	11.5m <sup>2</sup>
	M8×40mm	14	16
		14	16



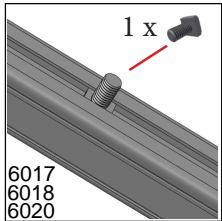
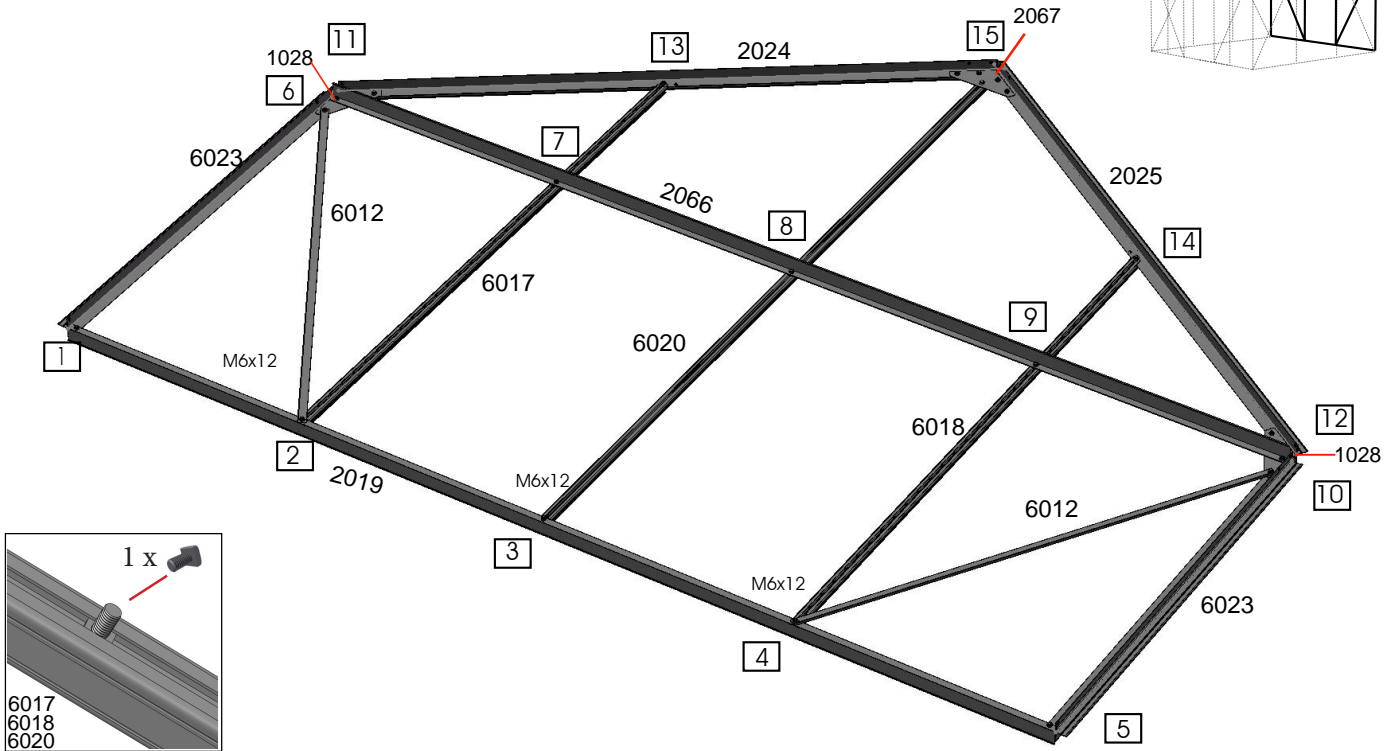
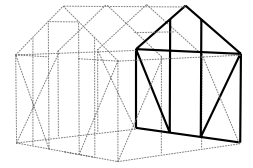
# Vorbereitung



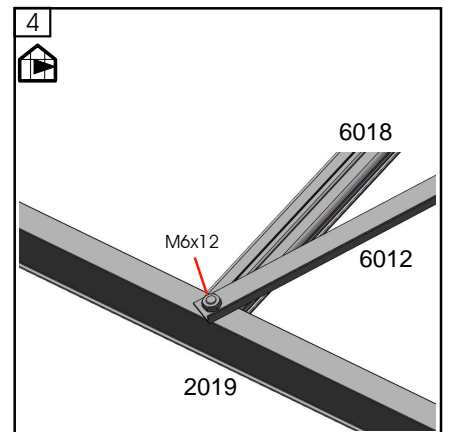
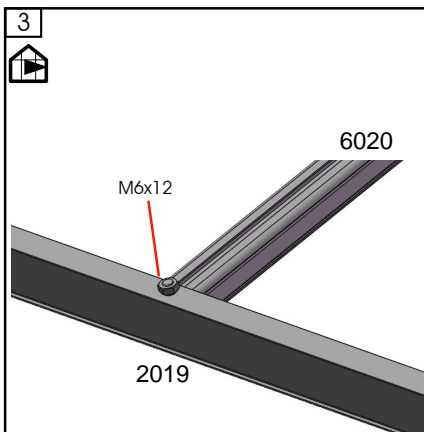
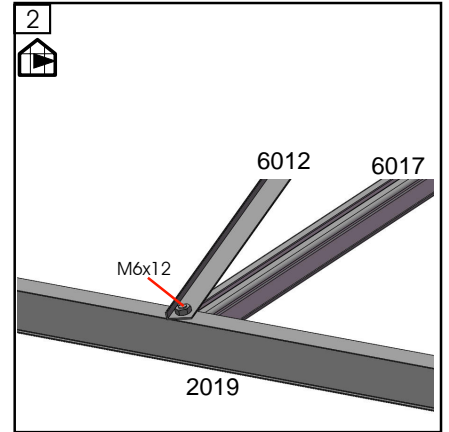
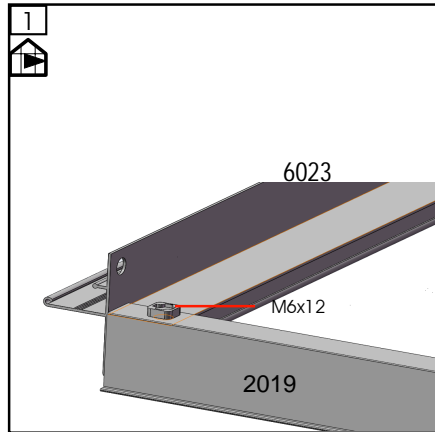
6015  
6017  
6018  
6020  
6021



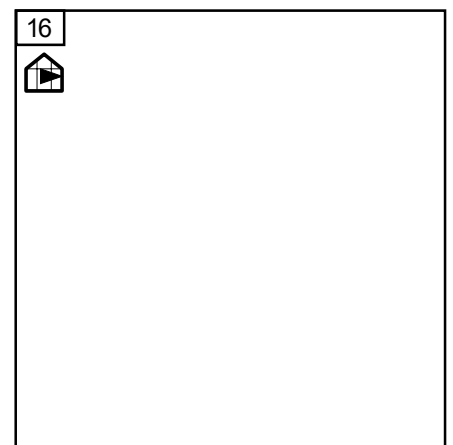
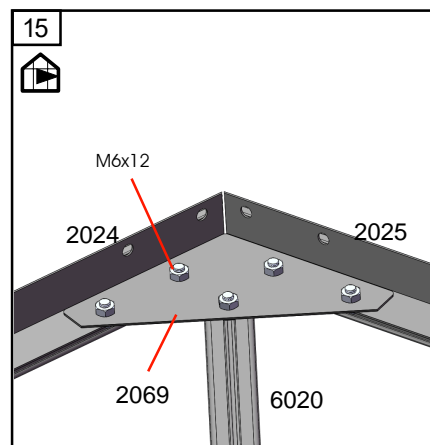
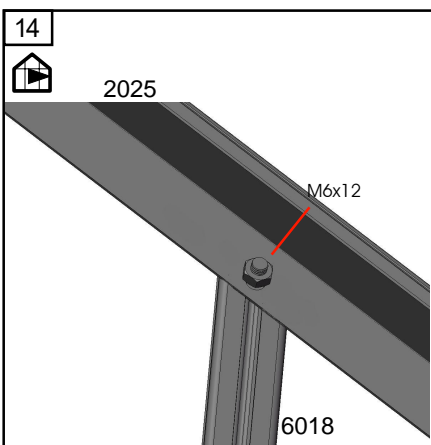
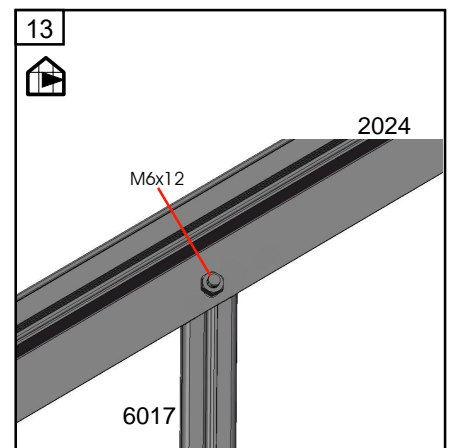
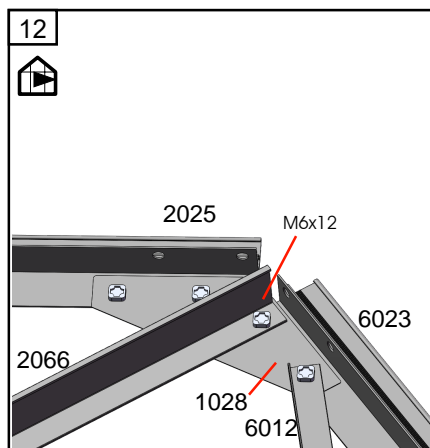
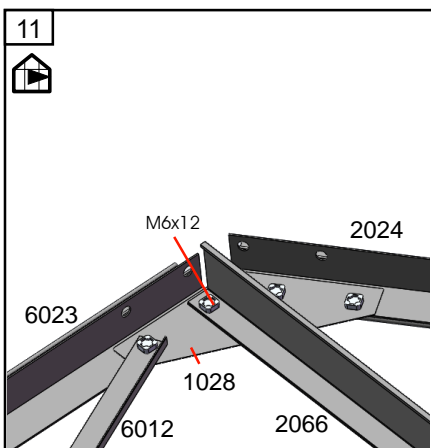
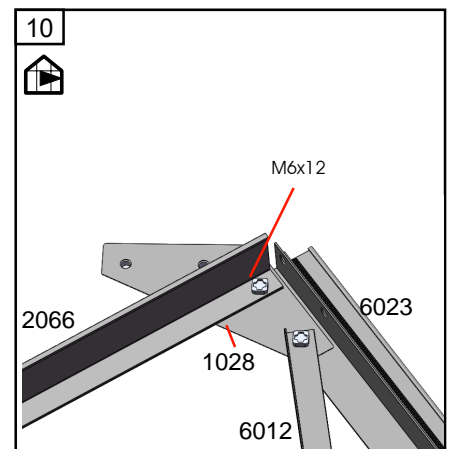
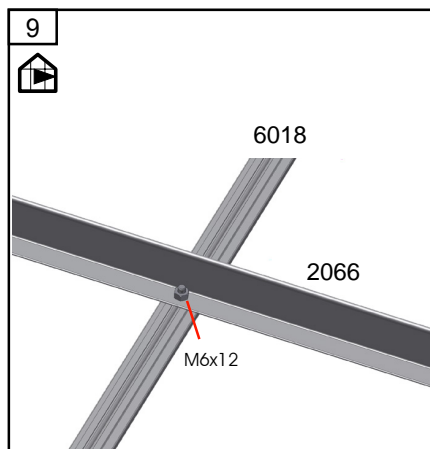
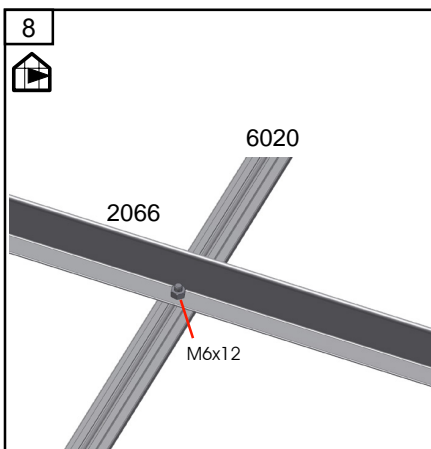
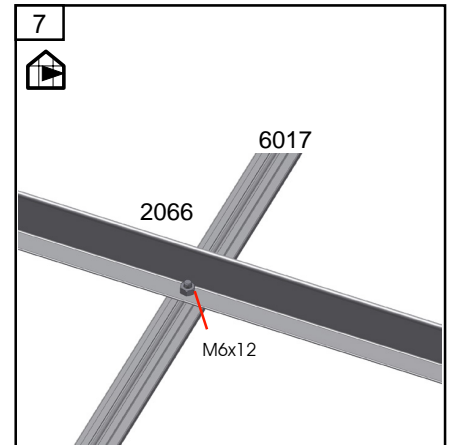
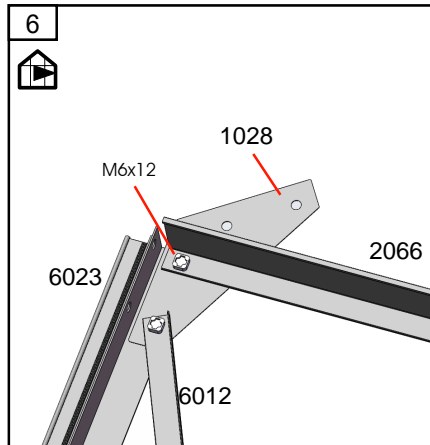
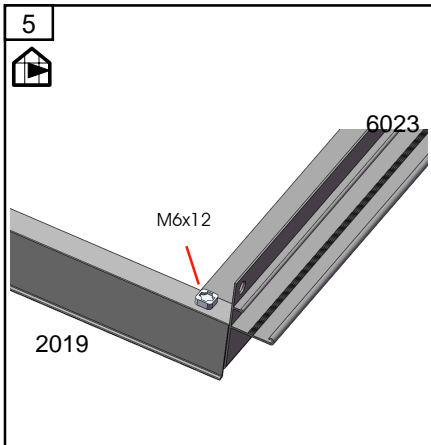
# Rear gable



1	#	MODEL
		9.9m <sup>2</sup> /11.5m <sup>2</sup>
	2019	1
	6023	2
	6017	1
	6018	1
	6020	1
	6012	2
	2066	1
	2024	1
	2025	1
	M6x12 M6	27
	2067	1
	1028	2

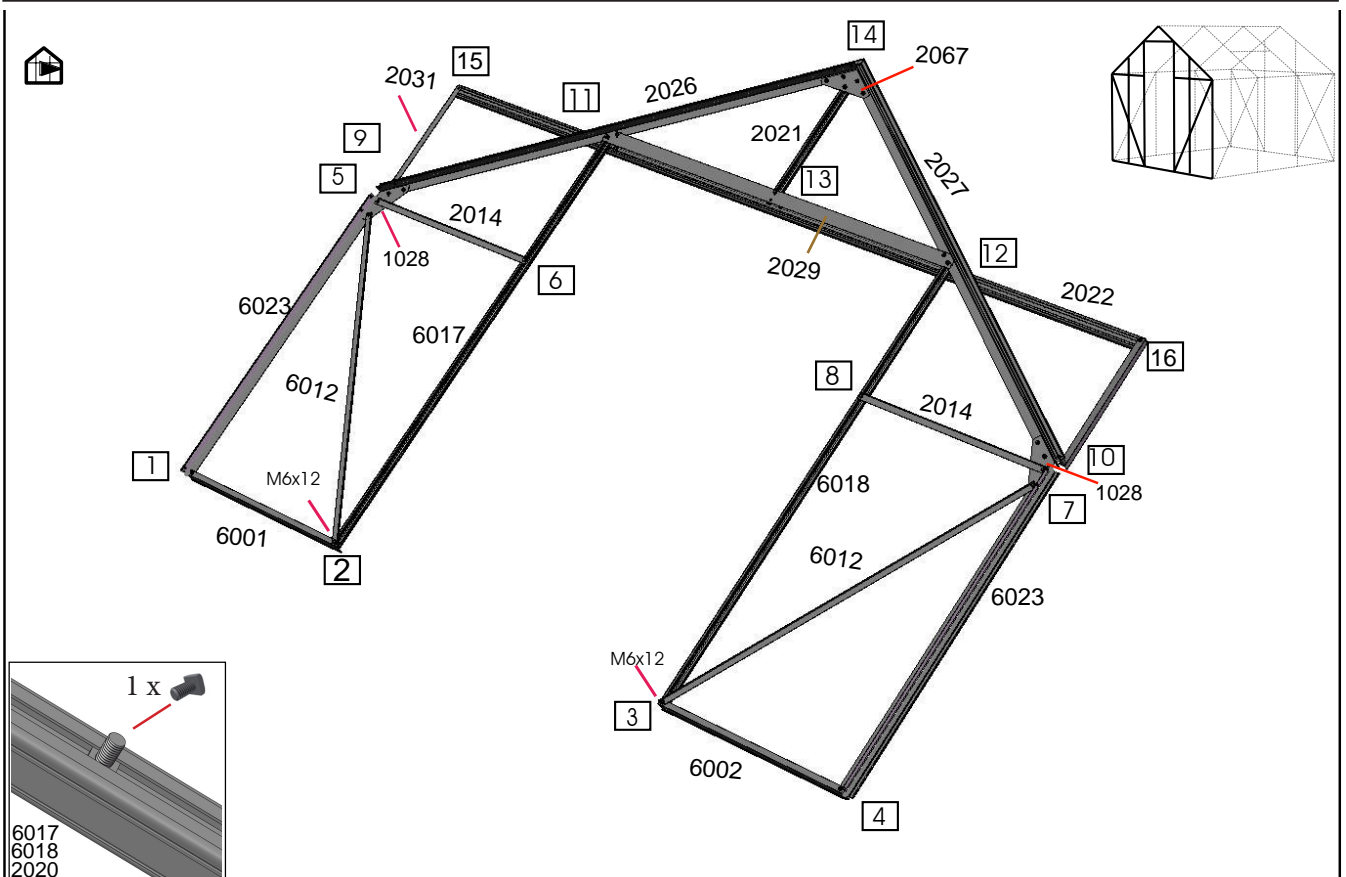


# Rear gable

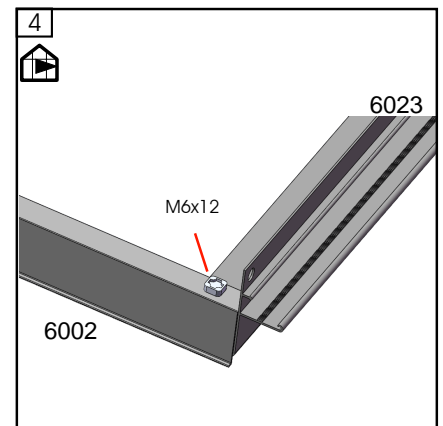
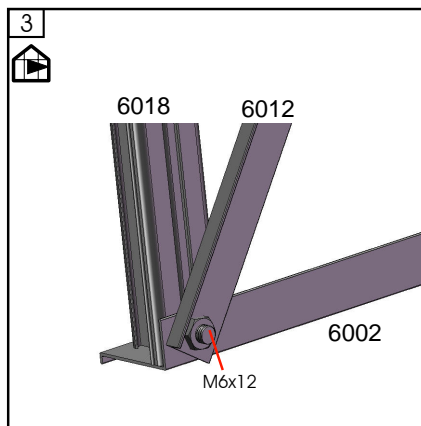
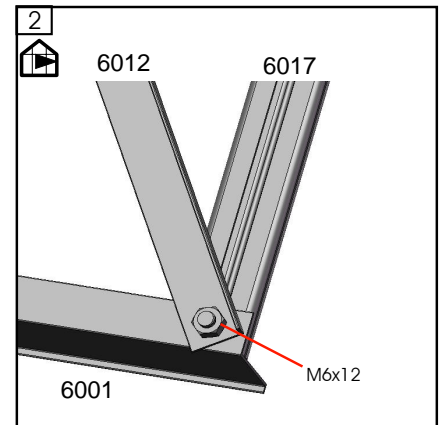
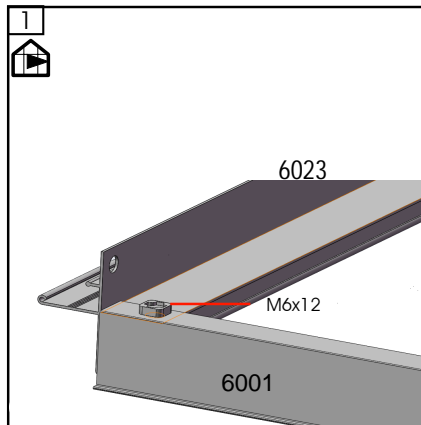




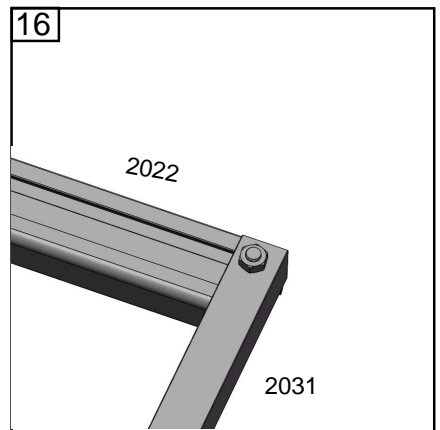
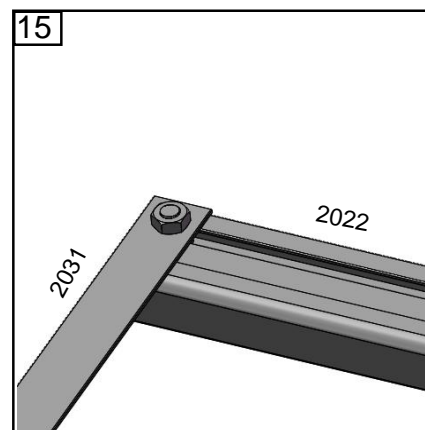
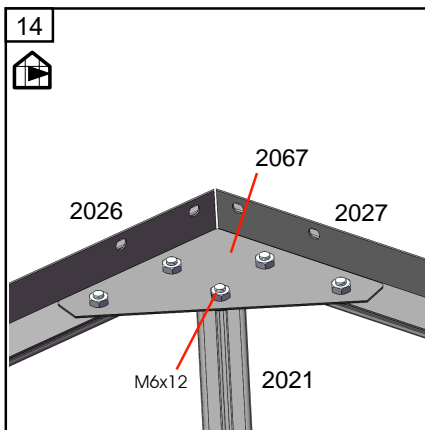
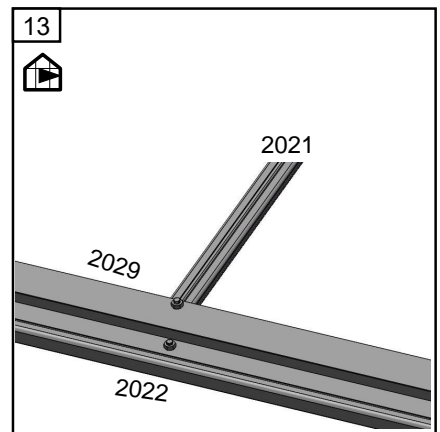
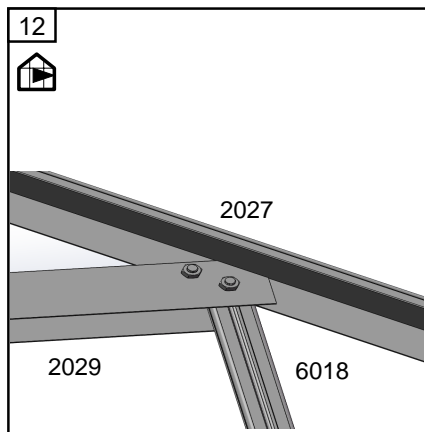
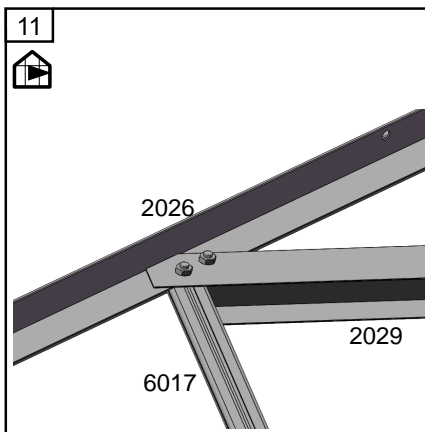
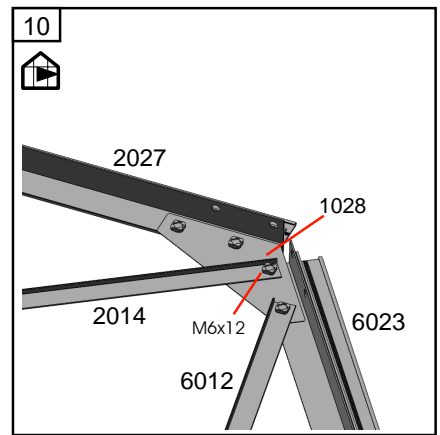
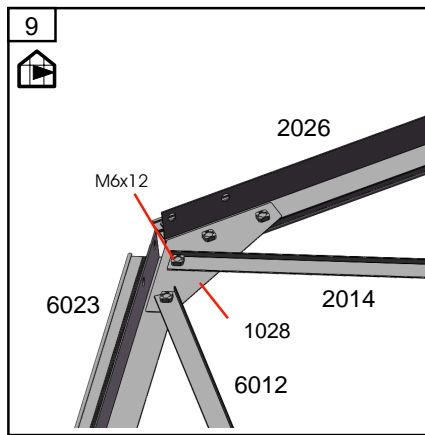
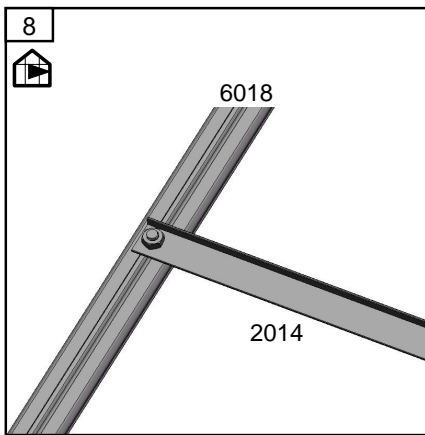
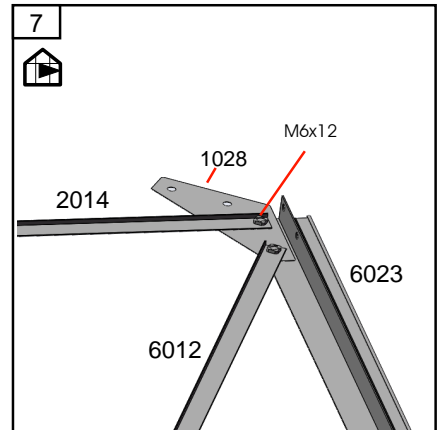
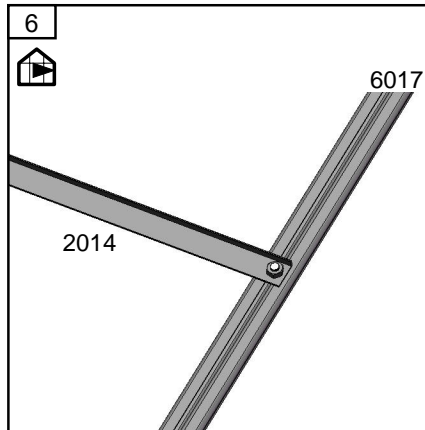
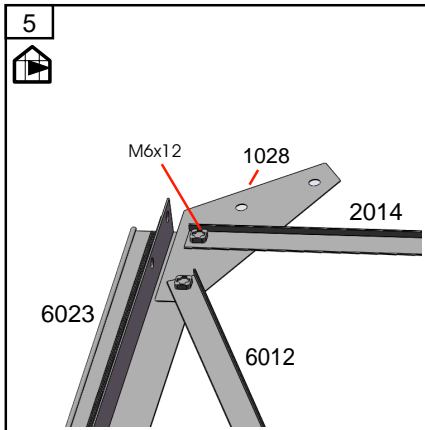
# Front gable



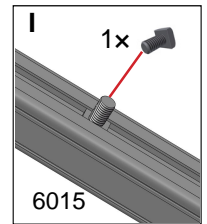
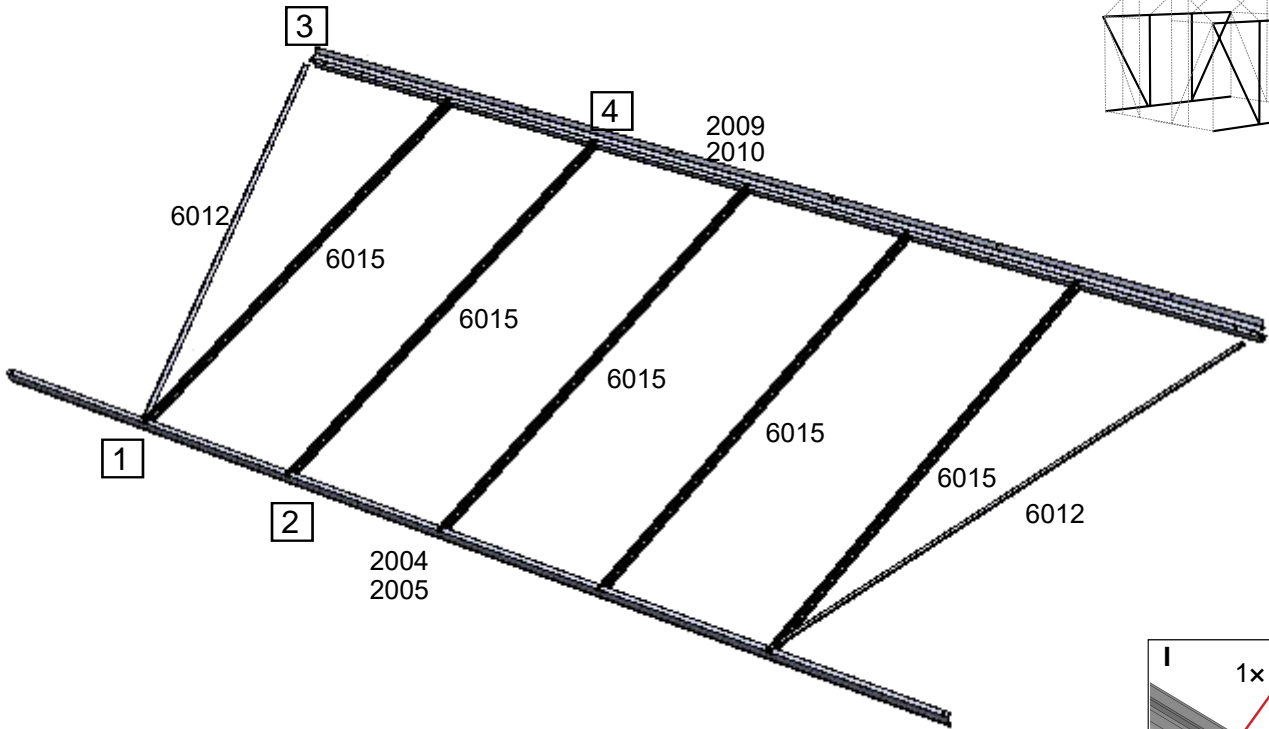
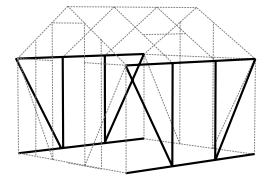
2	#	MODEL 9.9m <sup>2</sup> /11.5m <sup>2</sup>
	6001	1
	6002	1
	6023	2
	6017	1
	6018	1
	2021	1
	6012	2
	2014	2
	2026	1
	2027	1
	2029	1
	1062	2
	M6×40 M6	2
	M6×12 M6	29
	2067	1
	1028	2



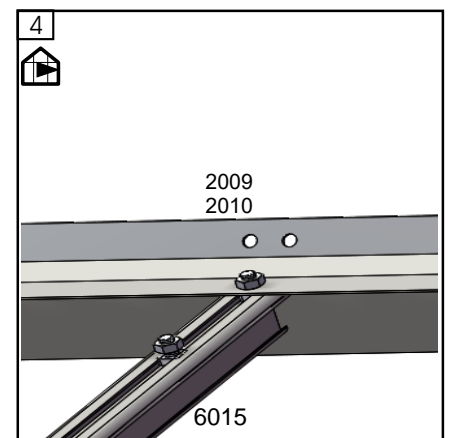
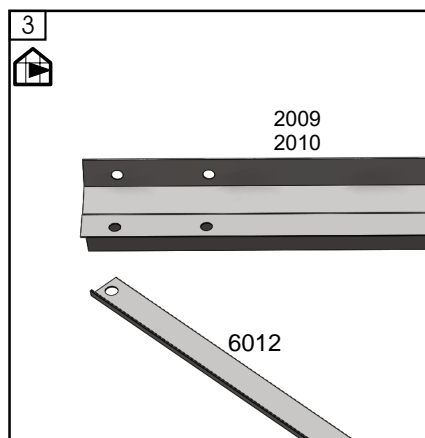
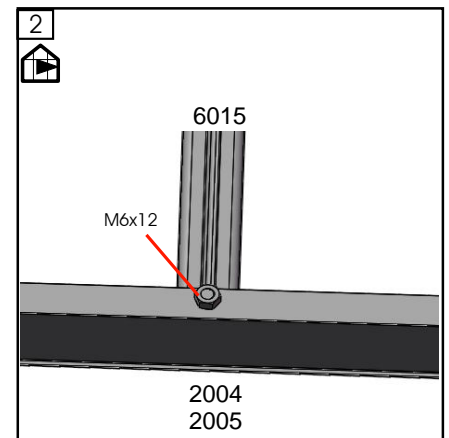
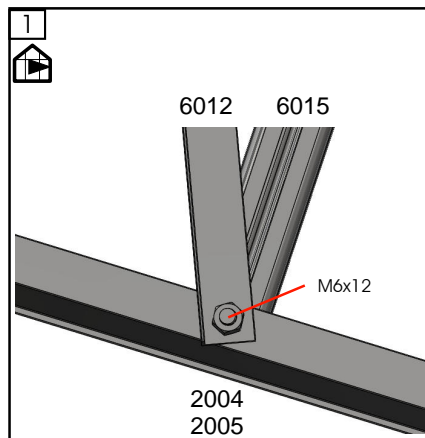
# Front gable



# Sides



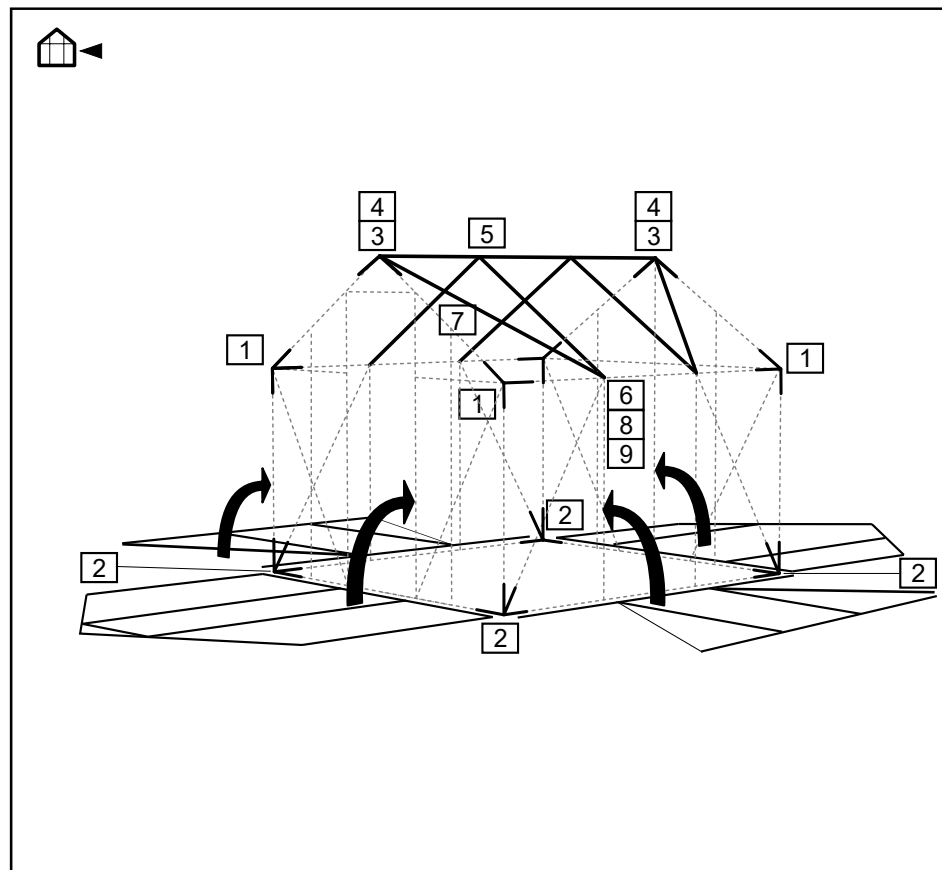
3	#	9.9m <sup>2</sup>	11.5m <sup>2</sup>
	2004	2	
	2005		2
	2009	2	
	2010		2
	6015	10	12
	6012	4	4
	M6x12 M6	30	36



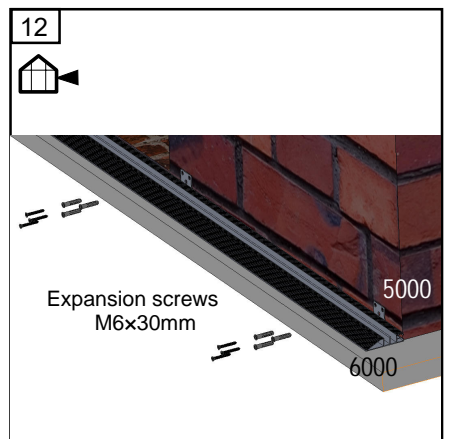
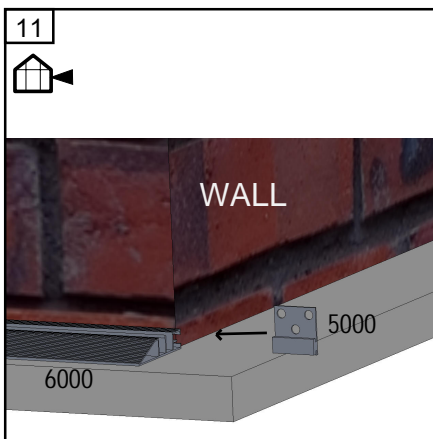
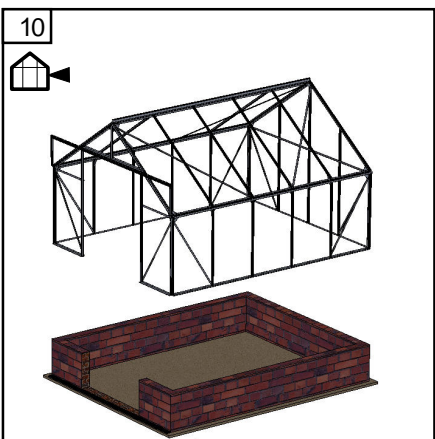
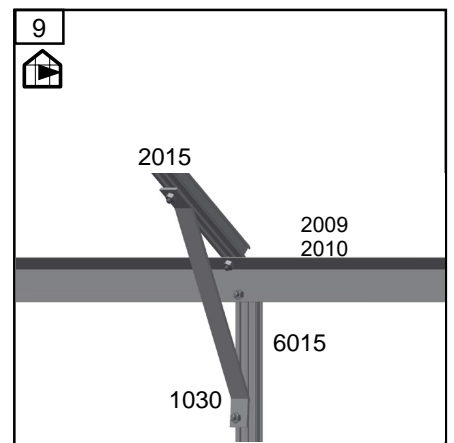
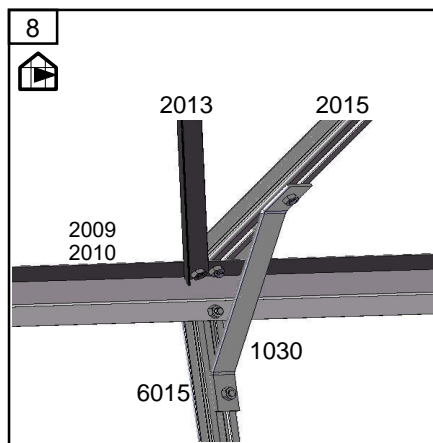
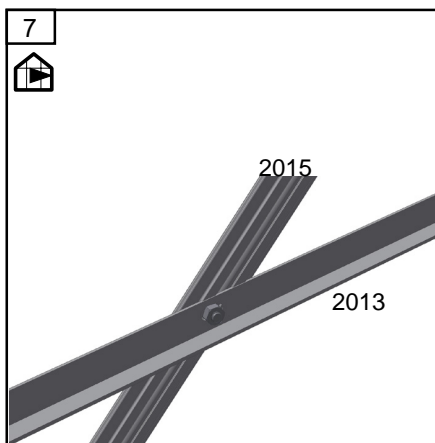
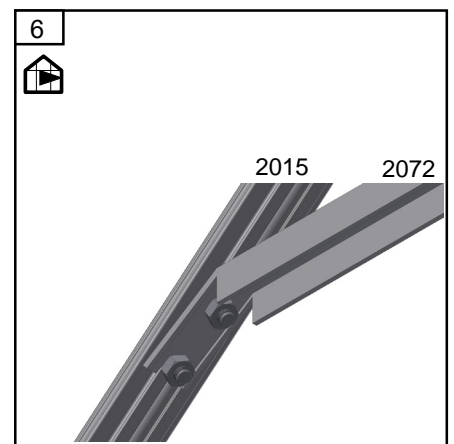
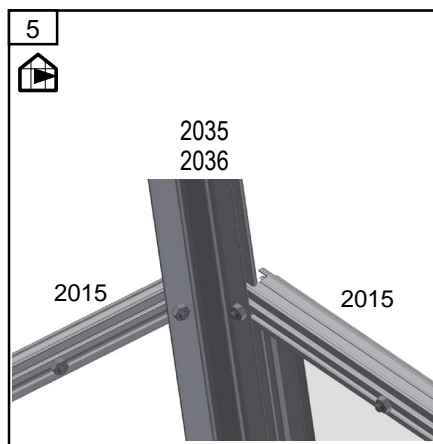
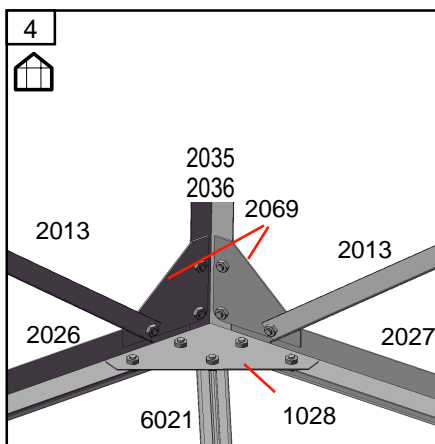
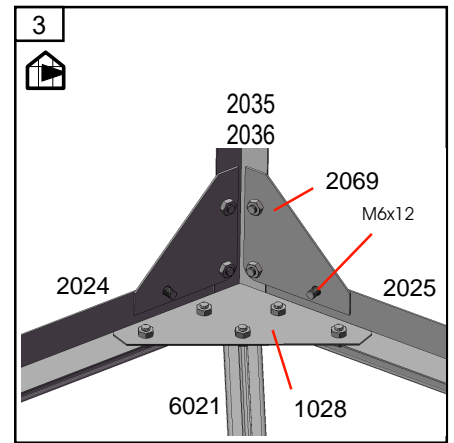
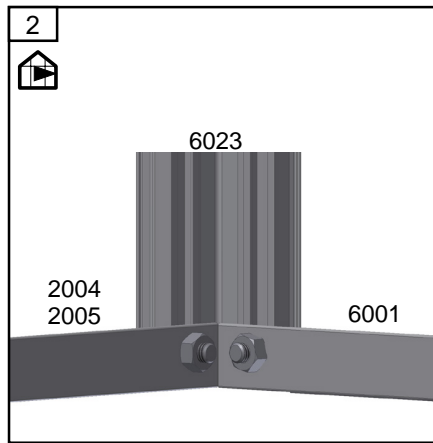
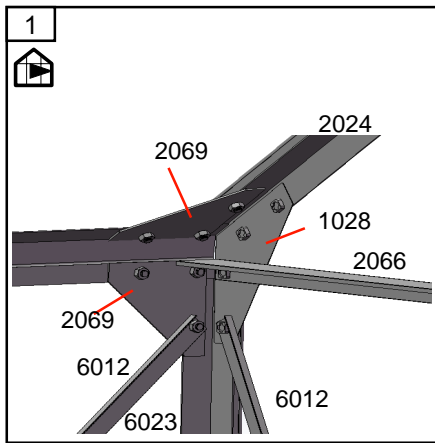
# Roof



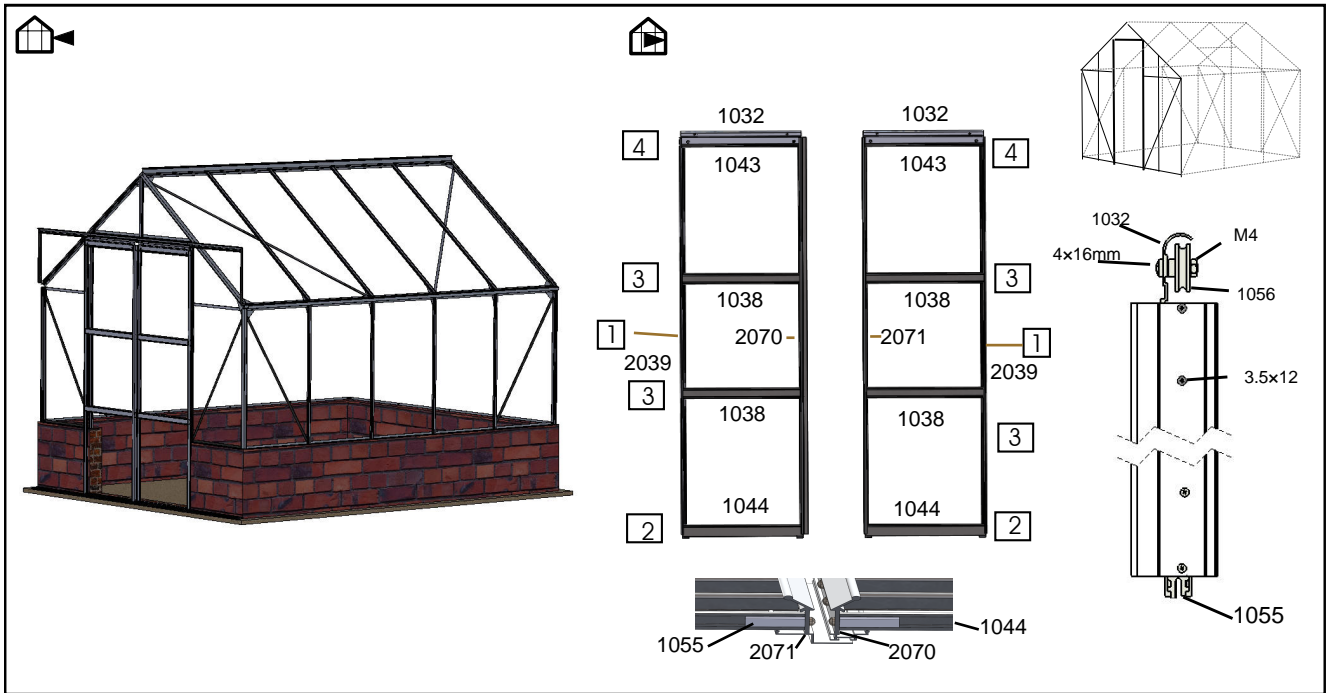
4	#	9.9m <sup>2</sup>	11.5m <sup>2</sup>
	2035	1	
	2036		1
	2015	10	12
	2013	4	4
	2072	5	6
	1030	10	12
	1050	2	4
	6000	1	1
	5000	4	4
	M6 x 12 M6	98	108
	2069	12	12
	1041	8	8
	1042	4	4
	M6 x 30	12	12



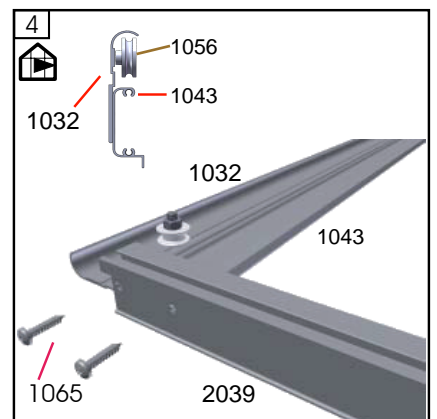
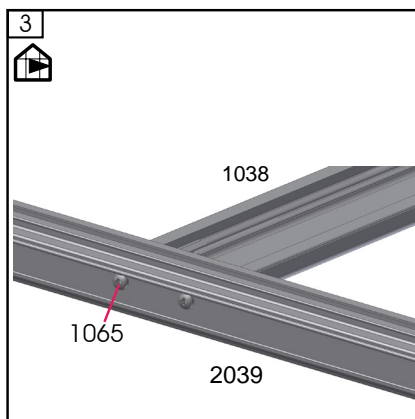
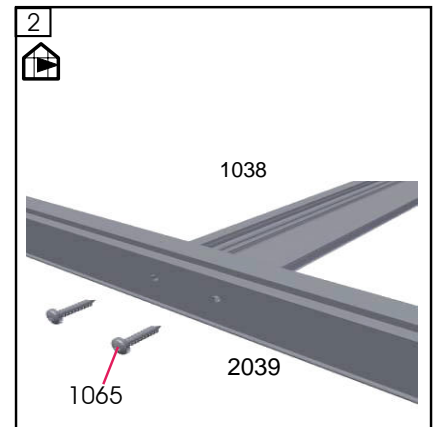
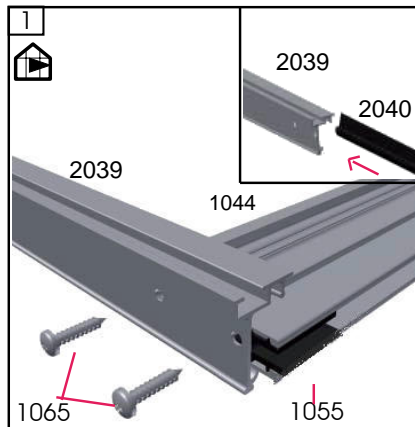
# Roof



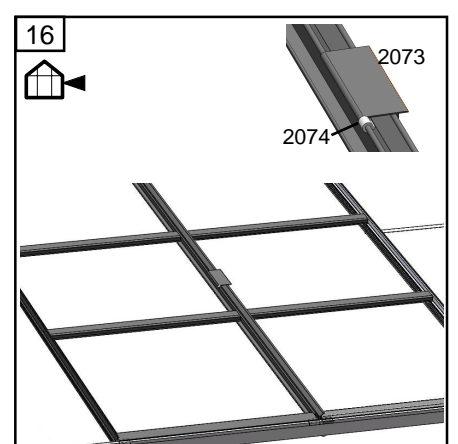
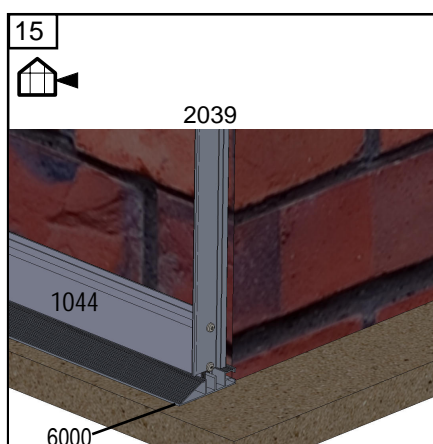
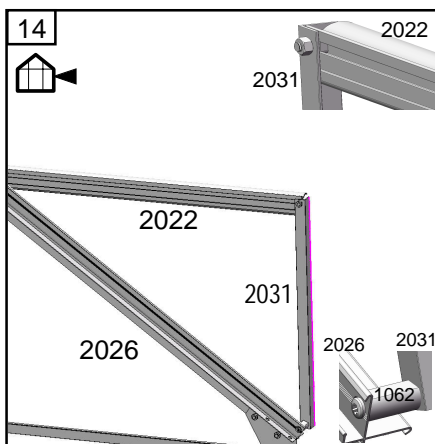
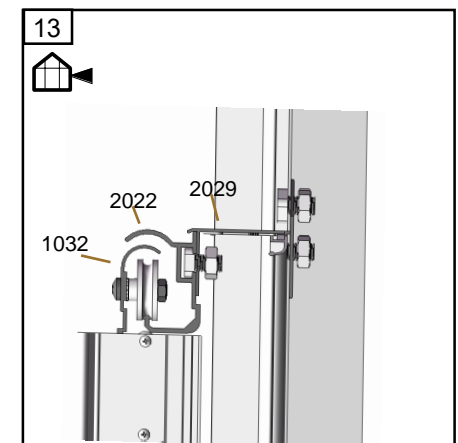
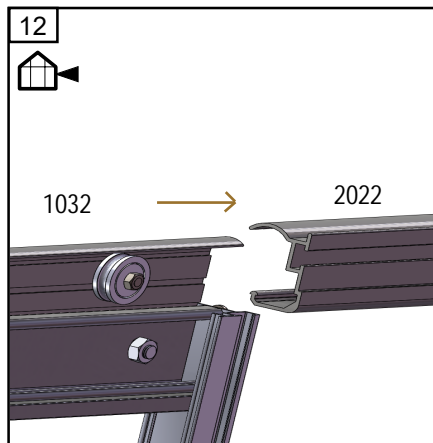
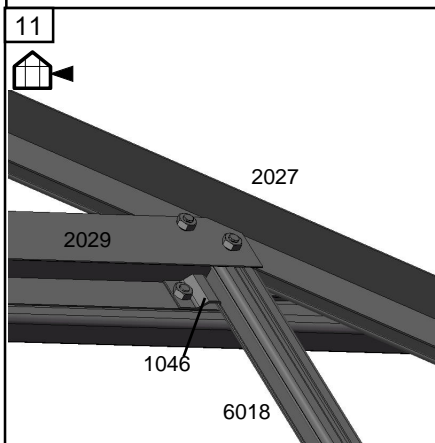
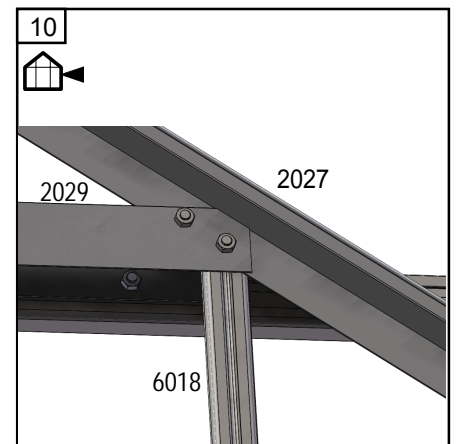
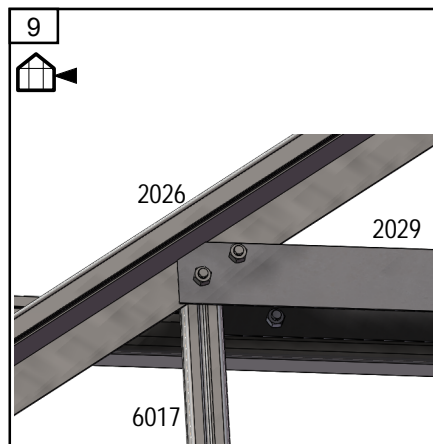
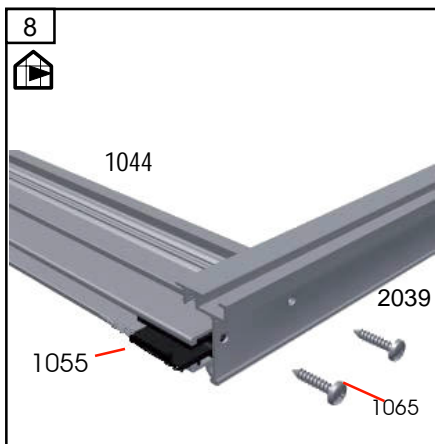
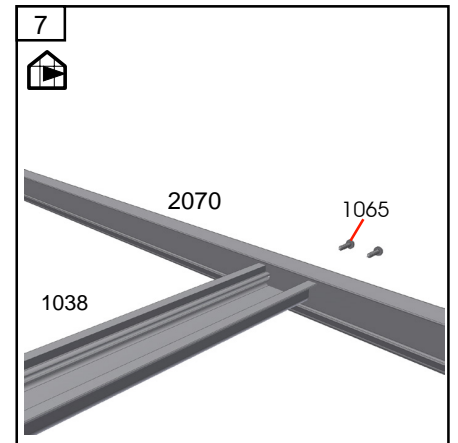
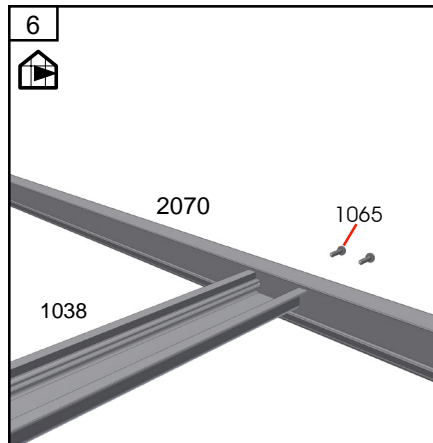
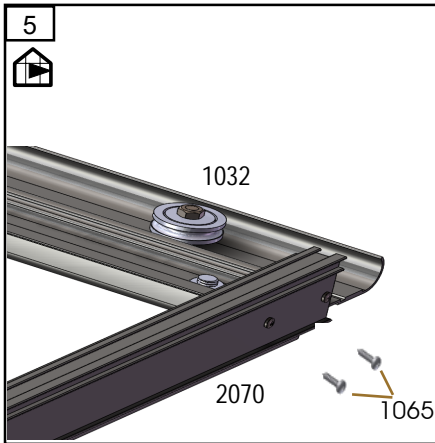
# Door



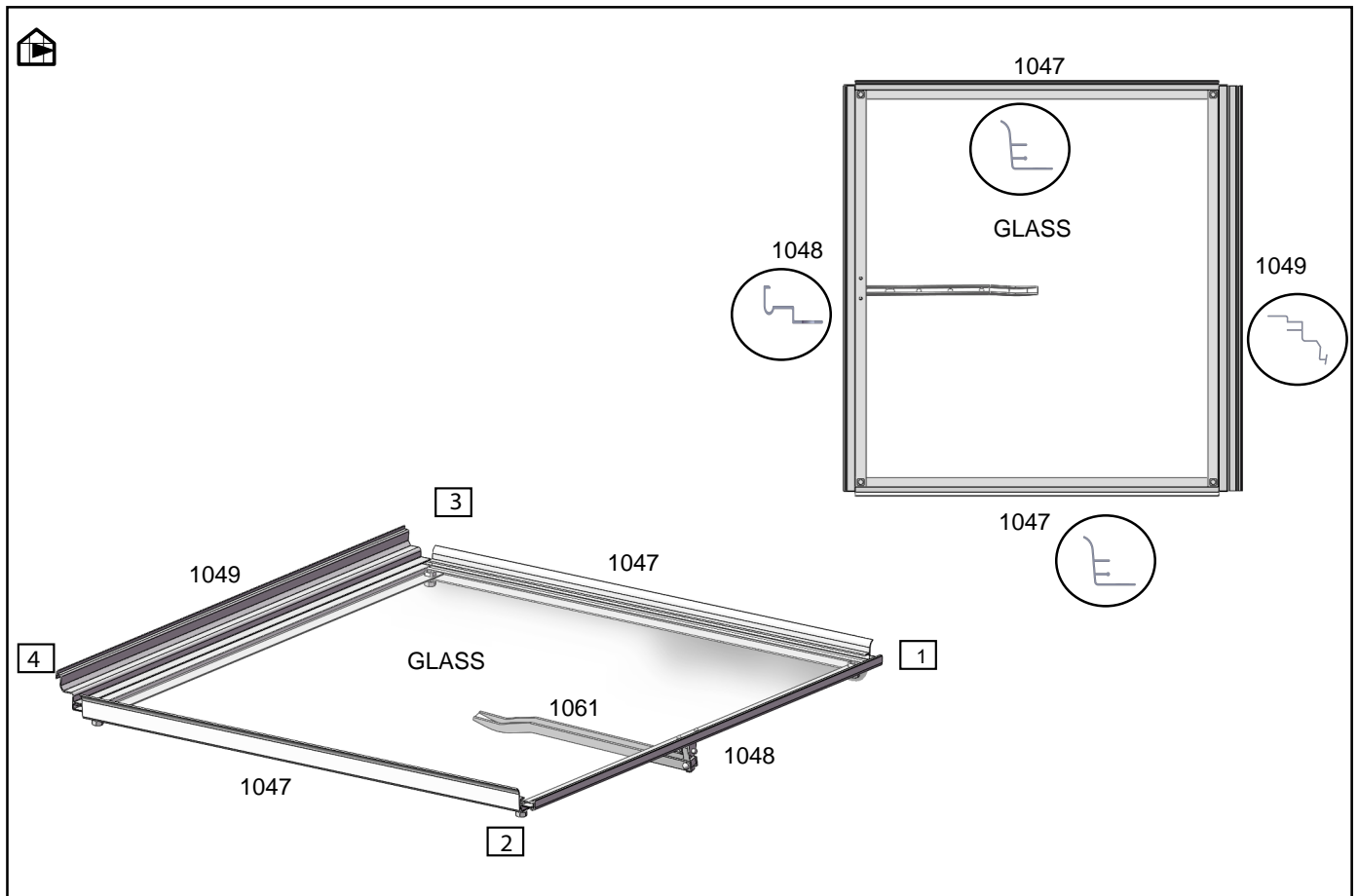
5	#	MODEL 9.9m <sup>2</sup> /11.5m <sup>2</sup>	
	2039		2
	1044		2
	1038		4
	1043		2
	1032		2
	2070		1
	2071		1
	2022		1
	2031		2
	1046		2
	2073		1
	2074		1
	2040		2
	1056		4
	1064	M4 x 16 M4	4
	1053	M4	4
	1065	3.5x 12	32
	1055		4
	6 x 12 M6		4



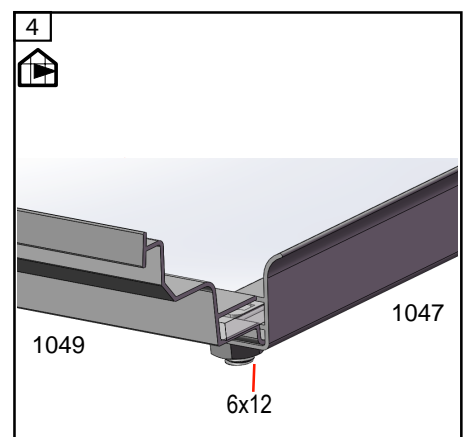
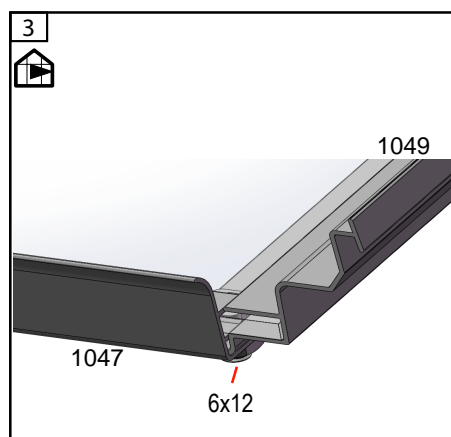
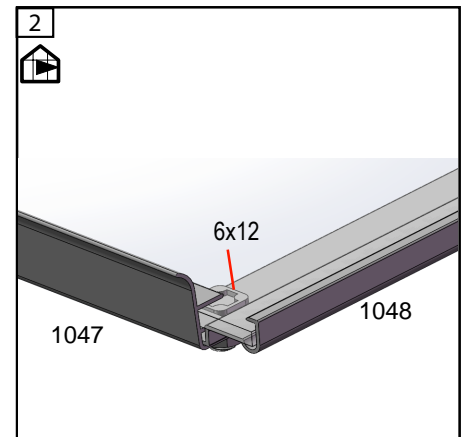
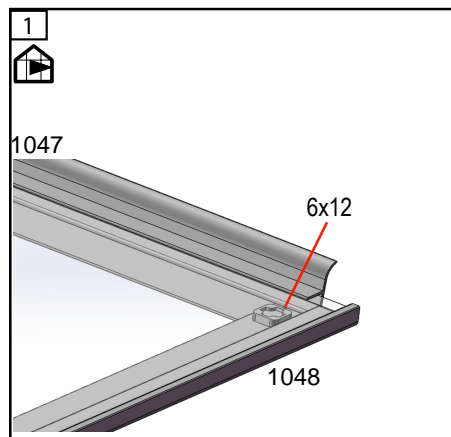
# Door



# Windows

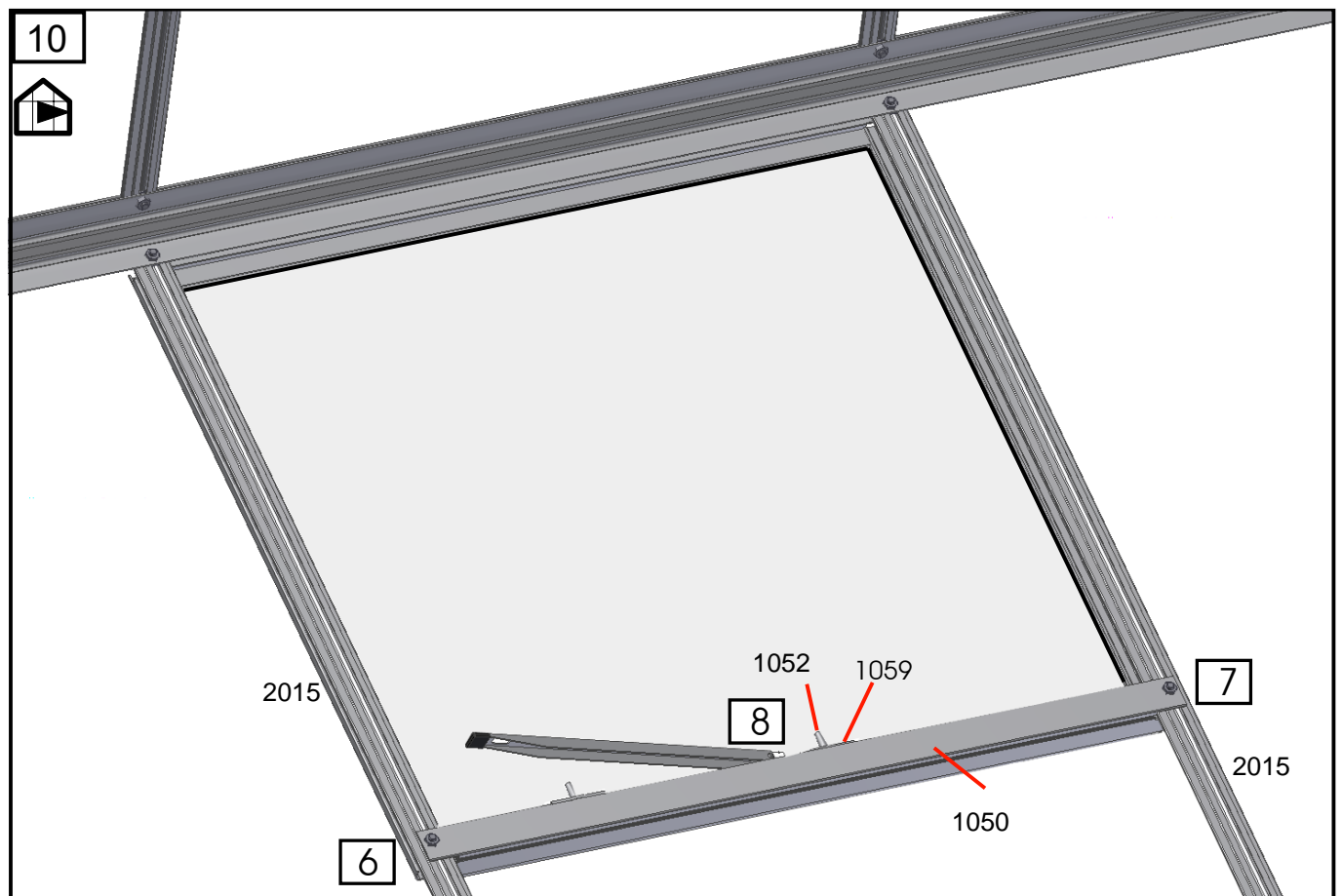
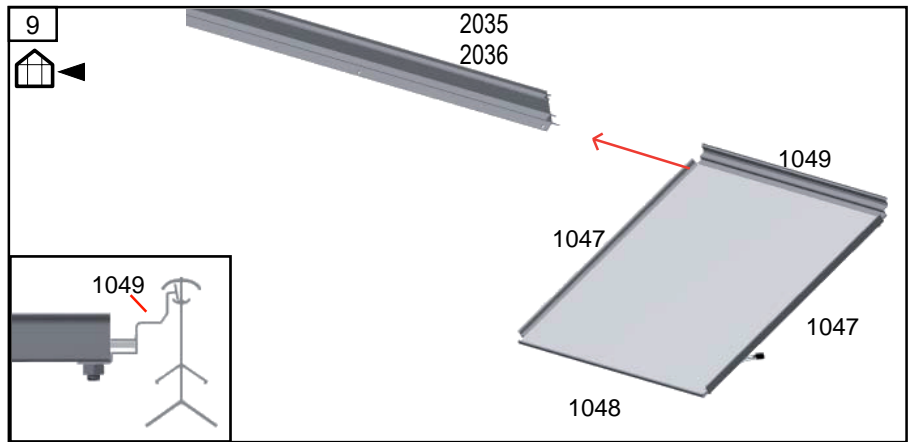
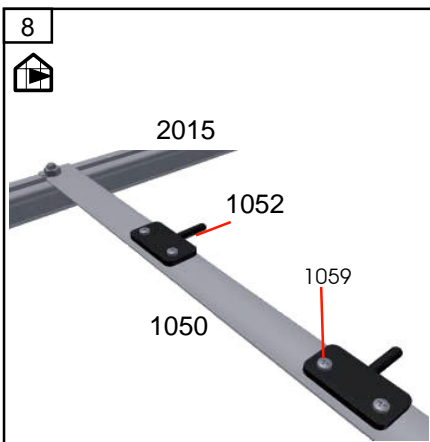
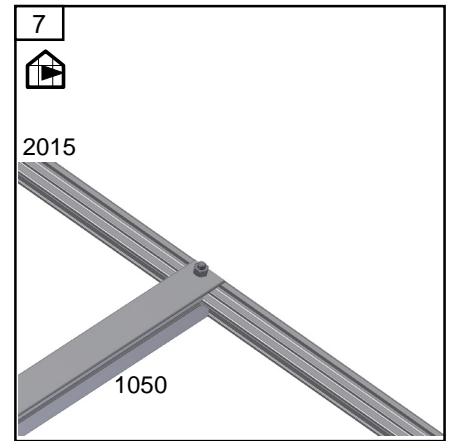
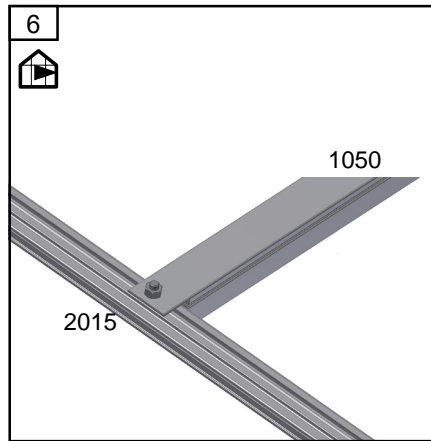
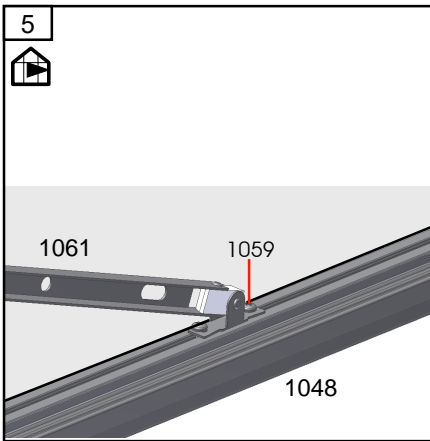


6	#	9.9m <sup>2</sup>	11.5m <sup>2</sup>
	1049	2	4
	1048	2	4
	1047	4	8
	1050	2	4
	1061	2	4
	1052	4	8
	6x12 M6	12	24
	1059 3.5x6	12	24

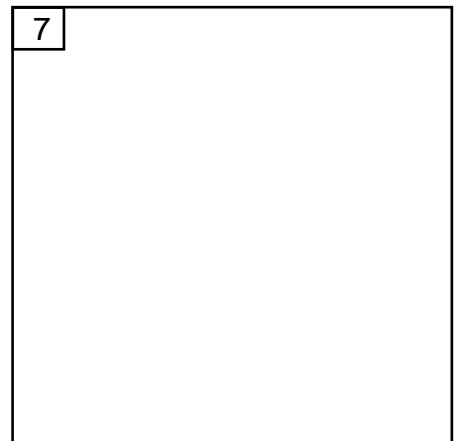
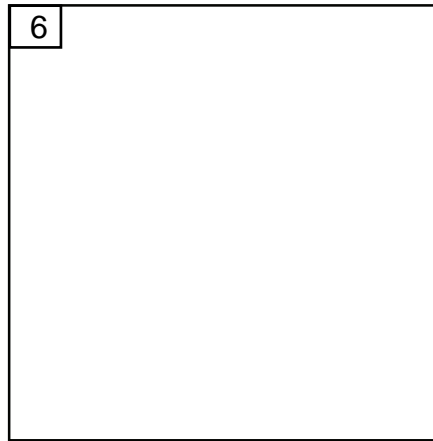
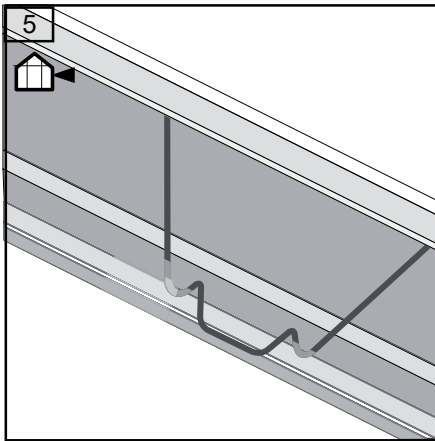
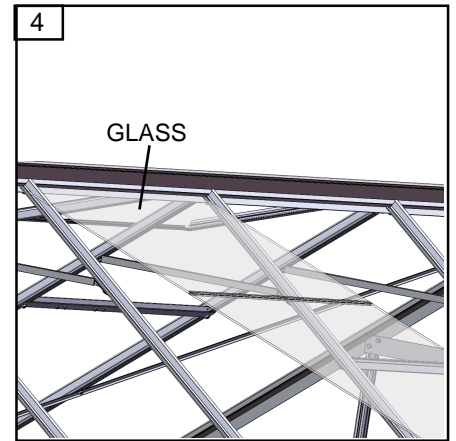
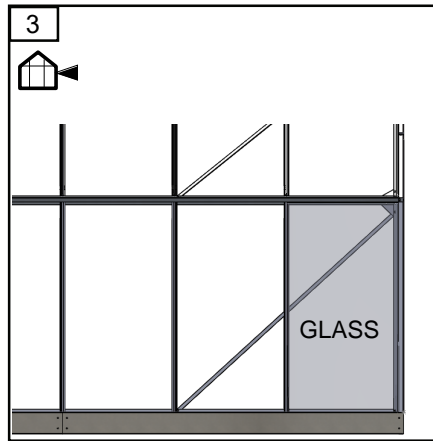
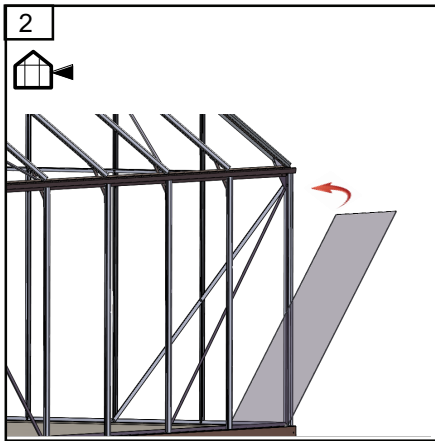
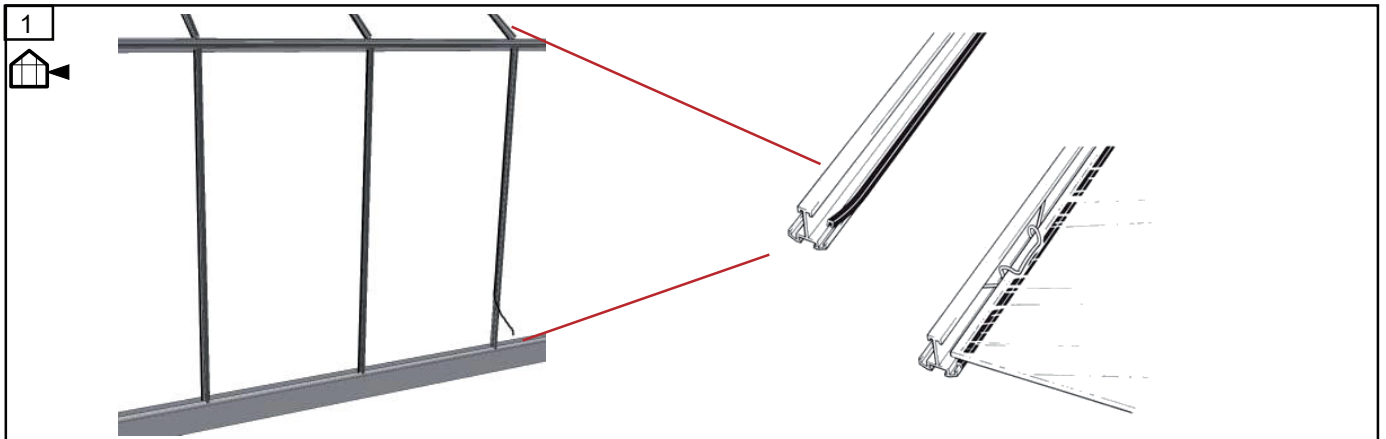




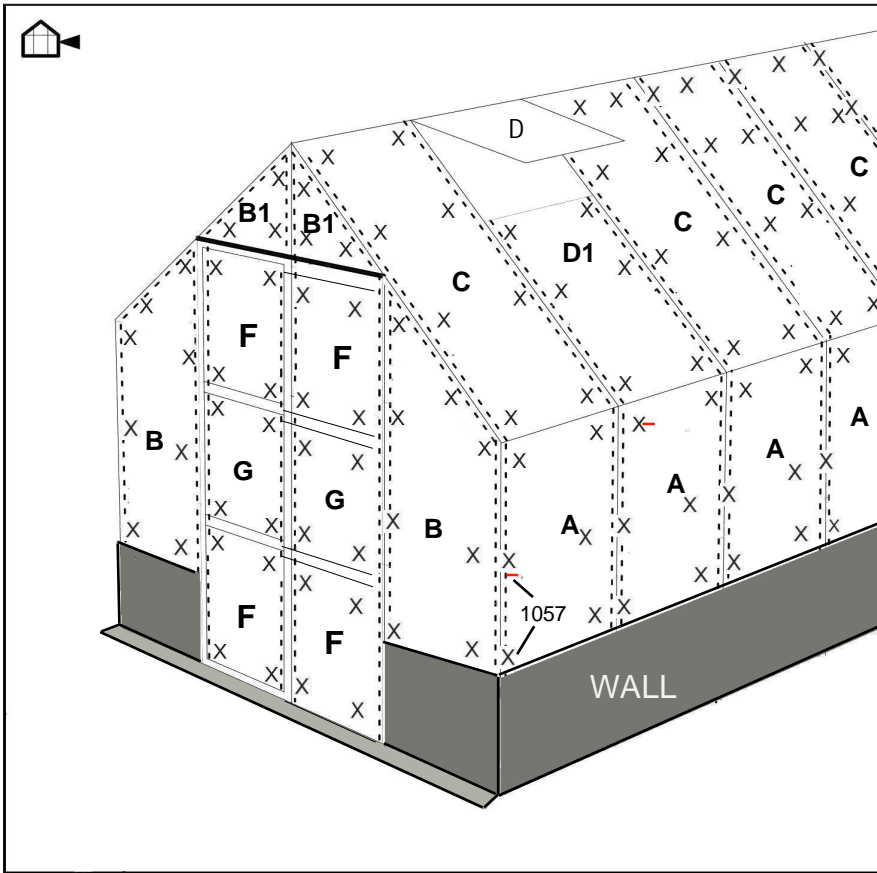
# Windows



# Glass



# Glass/Polycarbonate



7	#	mm	9.9m <sup>2</sup>	11.5 m <sup>2</sup>
	A	615x1007	12	14
	B	615x 1460/1030	4	4
	B1	610x 443/12	4	4
	C	615x1520	10	10
	D	602x550	2	4
	D1	615x985	2	4
	E	615x1451	2	2
	F	615x610	4	4
	G	615x525	2	2
	1057		280	310
	1054		96	106
	H	H - Strip 600mm	2	2

